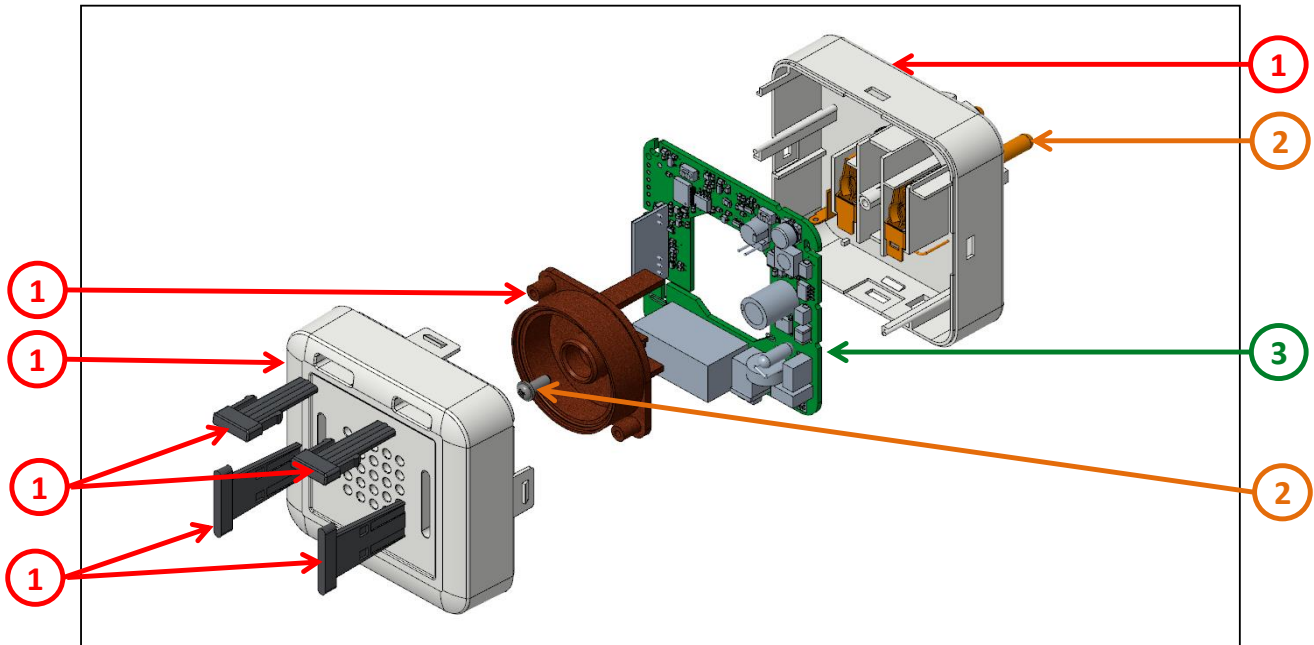


Product End of Life Instructions

TWINBUS RADIO SIGNALLING DEVICE



End of Life Instructions



Recommendation	Number on drawing	Component / Material	Weight (in g)	Comment
To be dismantled	1	Plastic parts	71.3	
To be dismantled	2	Metal parts	15.53	
To be depolluted	3	Electronic Board (Power) > 10cm ²	30	

Product description

Manufacturer identification	Schneider Electric Industries SAS
Brand name	Ritto
Product function	The main function of Twinbus Radio signalling device is to receive radio signals from Ritto radio transmitters.
Product reference	RGE1795070
Additional similar product references	RGE1795070
Total representative product mass	117 g
Representative product dimensions	70 x 70 x 40
Date of information release	03/2022



Additional information

Legal information

This product family is in the scope of European Union directive 2012/19/EU on Waste Electrical and Electronic Equipment (WEEE). The product family must be disposed according to the legislation of the country. This document is intended for use by end of life recyclers or treatment facilities. It provides the basic information to assure an appropriate end of life treatment for the components and materials of the product.

Recyclability potential

16%

Based on "ECO'DEEE recyclability and recoverability calculation method" (version V1, 20 Sep. 2008 presented to the French Agency for Environment and Energy Management: ADEME).

Schneider Electric Industries SAS
 Country Customer Care Center
<http://www.schneider-electric.com/contact>
 35, rue Joseph Monier
 CS 30323
 F- 92506 Rueil Malmaison Cedex
 RCS Nanterre 954 503 439
 Capital social 896 313 776 €

www.schneider-electric.com

ENVEOLI2202009_V1

Published by Schneider Electric

© 2019 - Schneider Electric – All rights reserved

03/2022