

Product End of Life Instructions

WISER WALL BOX POWER SUPPLY



Potential disassembly risks

The information provided in this document assumes that the product is completely de-energized and uninstalled (refer to the instructions provided in the appropriate product manuals).

Dismantling/disassembling the product may entail hazards caused by, for example, sharp edges, chemical aggression or ejected parts.

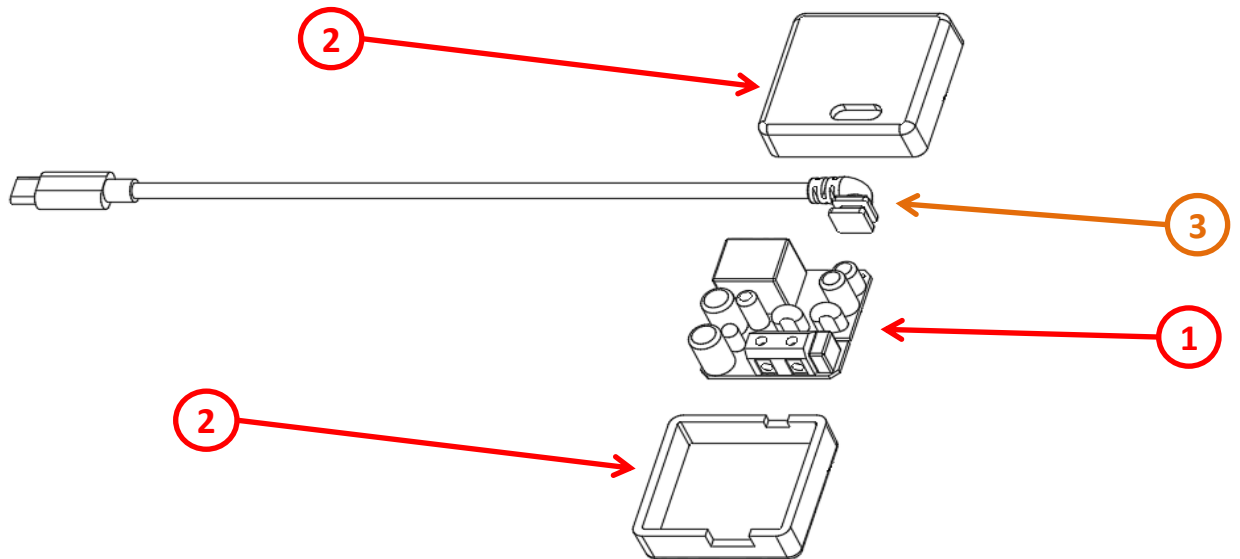
WARNING

HAZARD DUE TO INSUFFICIENT PROTECTION

- Implement all safety measures required by the applicable regulations and by the processes used to dismantle/disassemble and dispose of the product.
- Use all necessary personal protective equipment such as gloves and goggles.

Failure to follow these instructions can result in death or serious injury.

End of Life Instructions



Recommendation	Number on drawing	Component / Material	Weight (in g)	Comment
To be depolluted	1	Electronic Board (Communication) > 10cm ²	20.5	
Other	2	Plastics	14.14	
To be dismantled	3	Cable Assembly	6.78	

Product description

Manufacturer identification	Schneider Electric Industries SAS
Brand name	Schneider Electric
Product function	Power supply for Wiser Hub CCT501800/CCT501801 when mounted on a recessed wallbox Transforming 100-240 VAC into 5 VDC to supply the power for Wiser Hub CCT501800/CCT501801 With a size of only 52 x 40 x 22 mm, it fits well in a CE60 wall box. Clean wall installation with no visible cables.
Product reference	CCT501800-0001
Total representative product mass	41 g
Representative product dimensions	39 x 39 x 20
Accessories	None
Date of information release	27/08/2024

Additional information

Legal information	This product family is in the scope of European Union directive 2012/19/EU on Waste Electrical and Electronic Equipment (WEEE). The product family must be disposed according to the legislation of the country. This document is intended for use by end of life recyclers or treatment facilities. It provides the basic information to assure an appropriate end of life treatment for the components and materials of the product.	
In case of special transportation: transportation method	N/A	
Recyclability potential	0%	Recyclability rate has been calculated based on REEECYLAB tool developed by Ecosystem, for components/materials not covered by the tool, data from the "ECO'DEEEE recyclability and recoverability calculation method" was taken. If no data was found a conservative assumption was used (0% recyclability).

Schneider Electric Industries SAS

Country Customer Care Center
<http://www.se.com/contact>

35, rue Joseph Monier
 CS 30323
 F- 92500 Rueil Malmaison Cedex
 RCS Nanterre 954 503 439
 Capital social 928 298 512 €

www.se.com

ENVEOLI2202005_V1

Published by Schneider Electric

© 2023 - Schneider Electric – All rights reserved

27/08/2024