

# Product End of Life Instructions

## EXW-LIGHT-EV IP65 ACT.L/1LFP

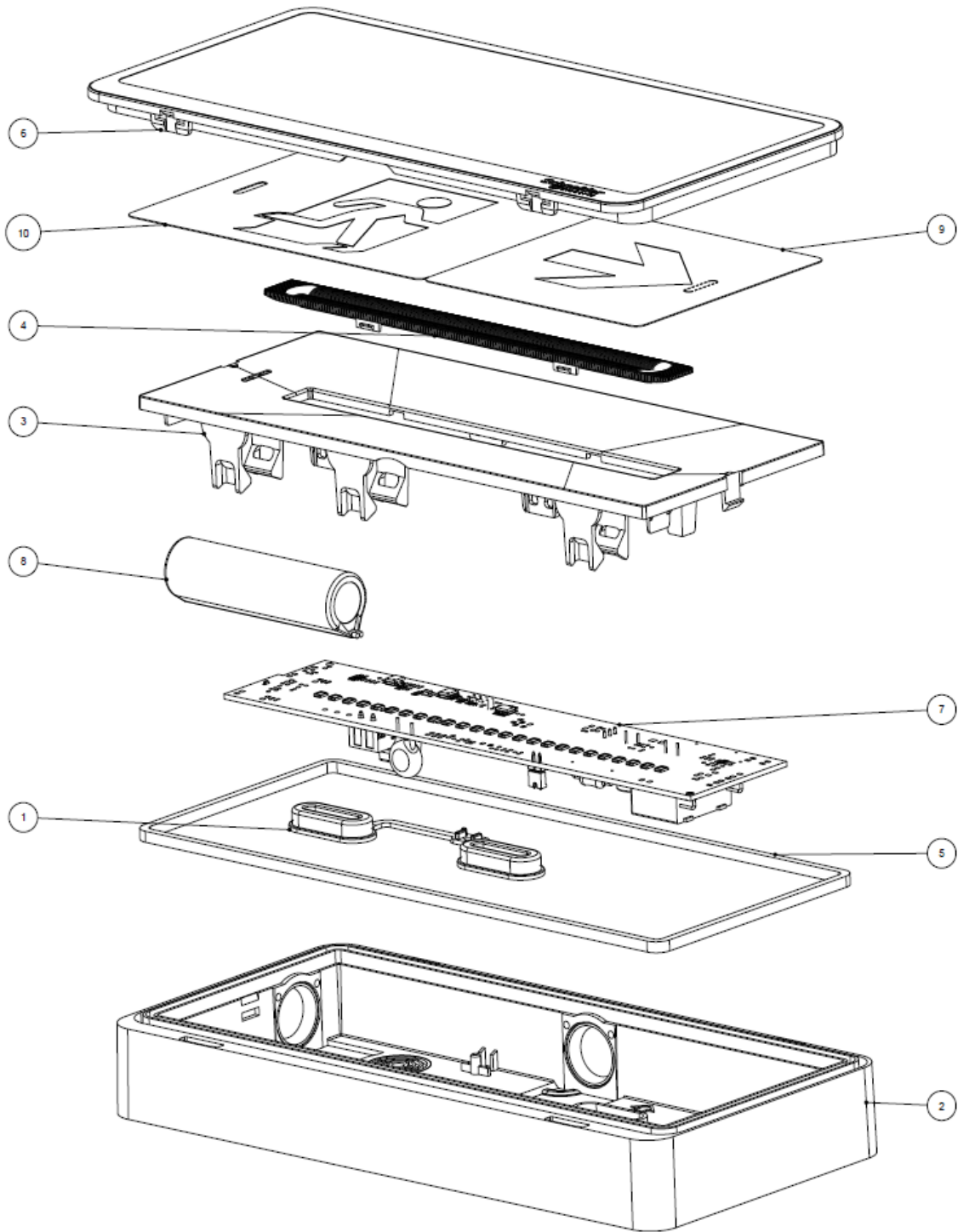




## Potential disassembly risks



## End of Life Instructions



Recommendation	Number on drawing	Component / Material	Weight (in g)	Comment
To be dismantled	1	PE Polyethylene (Caps for IP65)	2,16	
To be dismantled	2	PC (Lamp body)	135	
To be dismantled	3	PC (Reflective body to fix PCBA)	44,2	
To be dismantled	4	PMMA Polymethyl Methacrylate (Light Diffusor)	8	
To be dismantled	5	ABS Acrylonitrile Butadiene Styrene (GASKET)	0,8	
To be dismantled	6	PC (Transparent screen)	65	
To be depolluted	7	Other battery	50	
To be depolluted	7	Electronic Board (Power) > 10cm <sup>2</sup>	50	
Other	9	PVC (&K.5SCH.SER/I STD SPARK M20 - Arrow side)	2,5	
Other	10	PVC (&K.5SCH.SER/I STD SPARK M20 - Man side)	2,5	



## Product description

Manufacturer identification	Schneider Electric Industries SAS
Brand name	Schneider Electric
Product function	Maintained emergency luminaire (EN 60598-2-22) luminaire in which the emergency lighting lamps are energized at all times when normal or emergency lighting is required
Product reference	OVA59111
Additional similar product references	OVA59111 OVA59110
Total representative product mass	400 g
Representative product dimensions	229mm x 112mm x 32mm
Accessories	Light diffuser; Pictogram
Date of information release	11/2021



## Additional information

Legal information	The product family must be disposed according to the legislation of the country. This document is intended for use by end of life recyclers or treatment facilities. It provides the basic information to assure an appropriate end of life treatment for the components and materials of the product.	
In case of special transportation: transportation method	0	
Recyclability potential	<b>65%</b>	Based on "ECO'DEEE recyclability and recoverability calculation method" (version V1, 20 Sep. 2008 presented to the French Agency for Environment and Energy Management: ADEME).

Schneider Electric Industries SAS

Country Customer Care Center  
<http://www.schneider-electric.com/contact>

35, rue Joseph Monier  
 CS 30323  
 F- 92506 Rueil Malmaison Cedex  
 RCS Nanterre 954 503 439  
 Capital social 896 313 776 €

[www.schneider-electric.com](http://www.schneider-electric.com)

ENVEOLI2108005\_V1

Published by Schneider Electric

© 2019 - Schneider Electric – All rights reserved

11/2021