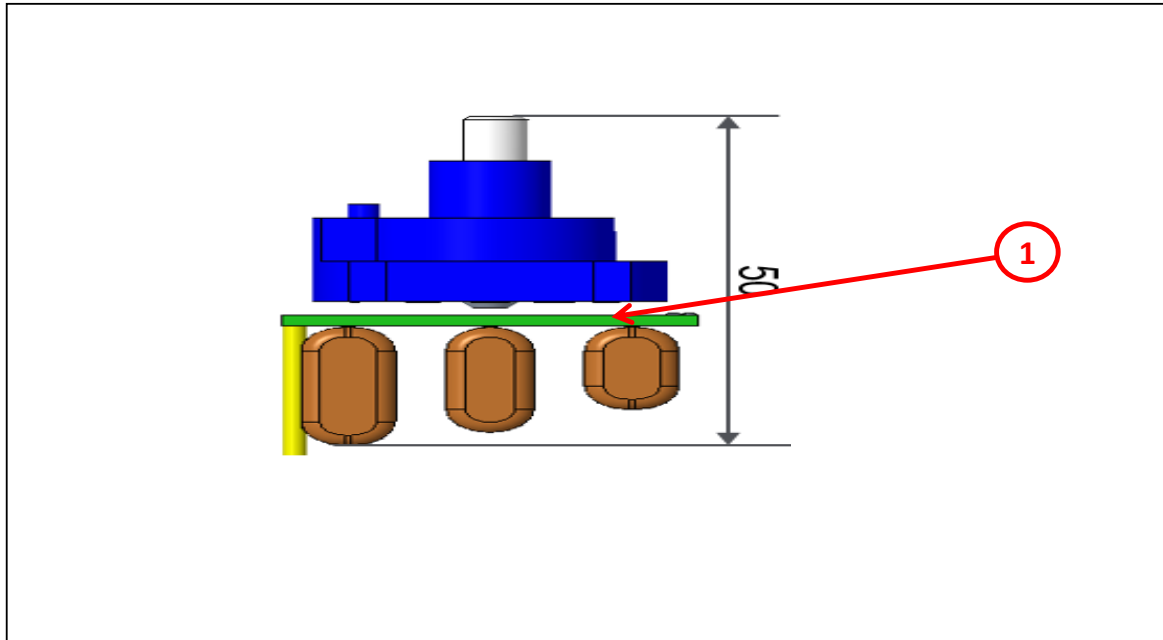


Product End of Life Instructions

Step type fan regulator (2M)



End of Life Instructions



Recommendation	Number on drawing	Component / Material	Weight (in g)	Comment
Potential hazards	1	Electronic Board (Power) > 10cm ²	33.5	

Product description

Manufacturer identification	Schneider Electric Industries SAS
Brand name	Schneider Electric
Product function	Fan regulators regulates or controls the speed of the fan motor,continuous speed control.
Product reference	P3200
Total representative product mass	58.5 g
Representative product dimensions	140mmx85mmx45 mm
Date of information release	06/2021

Additional information

Legal information	The product family must be disposed according to the legislation of the country. This document is intended for use by end of life recyclers or treatment facilities. It provides the basic information to assure an appropriate end of life treatment for the components and materials of the product.	
Recyclability potential	10%	Based on "ECO'DEEE recyclability and recoverability calculation method" (version V1, 20 Sep. 2008 presented to the French Agency for Environment and Energy Management: ADEME).

ENVEOLI2104022_V1 - End of Life Instructions - Step type fan regulator (2M)

Schneider Electric Industries SAS
Country Customer Care Center
<http://www.schneider-electric.com/contact>
35, rue Joseph Monier
CS 30323
F- 92506 Rueil Malmaison Cedex
RCS Nanterre 954 503 439
Capital social 896 313 776 €

www.schneider-electric.com

ENVEOLI2104022_V1

Published by Schneider Electric

© 2019 - Schneider Electric – All rights reserved

06/2021