

Product End of Life Instructions

IFAN62/3ETCISDS/3DC-I54/O-001KPP41

Integrated drives ILA with servo motors



Schneider
Electric

Potential disassembly risks

The information provided in this document assumes that the product is completely de-energized and uninstalled (refer to the instructions provided in the appropriate product manuals).

Dismantling/disassembling the product may entail hazards caused by, for example, sharp edges, chemical aggression or ejected parts.

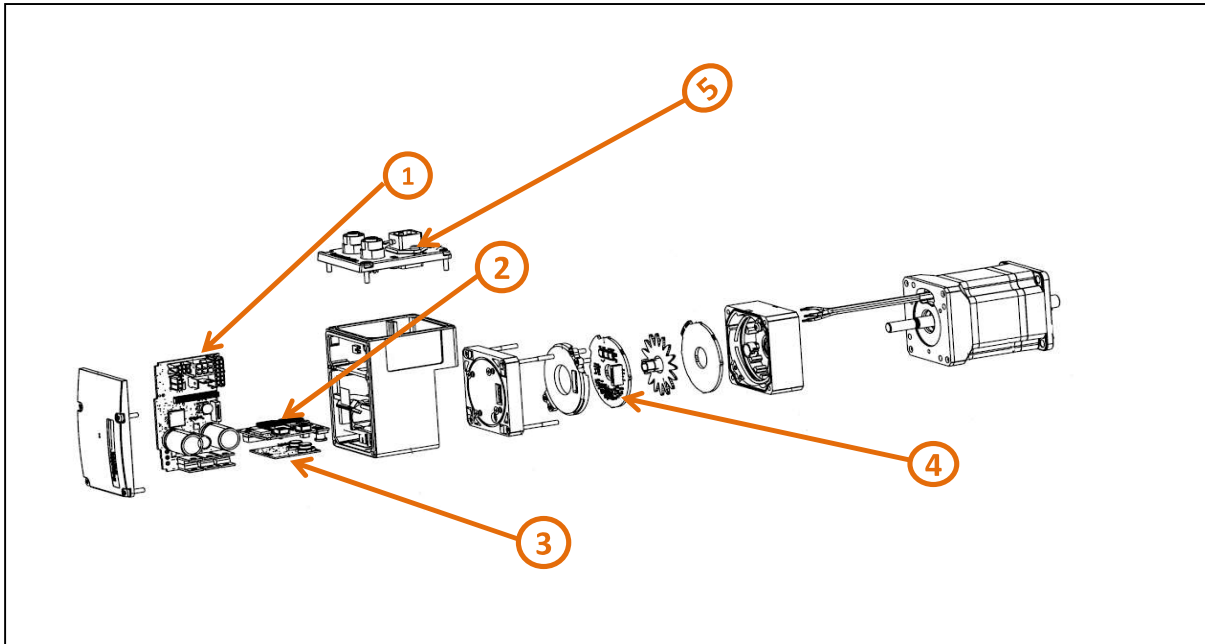
WARNING

HAZARD DUE TO INSUFFICIENT PROTECTION

- Implement all safety measures required by the applicable regulations and by the processes used to dismantle/disassemble and dispose of the product.
- Use all necessary personal protective equipment such as gloves and goggles.

Failure to follow these instructions can result in death or serious injury.

End of Life Instructions



Recommendation	Number on drawing	Component / Material	Weight (in g)	Comment
To be depolluted	1	Electronic Board (Power) > 10cm ²	61.77	
To be depolluted	2	Electronic Board (Power) > 10cm ²	10.66	
To be depolluted	3	Electronic Board (Power) > 10cm ²	6.82	
To be depolluted	4	Electronic Board (Power) > 10cm ²	13.17	
To be depolluted	5	Cable (high current)	5.2	
Other			1639.4	

Product description

Manufacturer identification	Schneider Electric Industries SAS
Brand name	Schneider Electric
Product function	The main purpose of the product is to control the variation of the rotational speed and position of a DC brushless electric motor.
Product reference	ILA2E572S2166
Total representative product mass	1.74 kg
Representative product dimensions	66 mm x 110 mm x 184 mm
Accessories	No
Date of information release	04-2026

Additional information

Legal information	This product family is in the scope of European Union directive 2012/19/EU on Waste Electrical and Electronic Equipment (WEEE). The product family must be disposed according to the legislation of the country. This document is intended for use by end of life recyclers or treatment facilities. It provides the basic information to assure an appropriate end of life treatment for the components and materials of the product.
Recyclability potential	79% The recyclability rate was calculated from the recycling rates of each material making up the product based on REEECY'LAB tool developed by Ecosystem, for components/materials not covered by the tool, data from the EIME database and the related PSR was taken. If no data was found a conservative assumption was used (0% recyclability).

Schneider Electric Industries SAS
Country Customer Care Center
<http://www.se.com/contact>
35, rue Joseph Monier
CS 30323
F- 92500 Rueil Malmaison Cedex
RCS Nanterre 954 503 439
Capital social 928 298 512 €

www.se.com
ENVEOLI2011004_V2

Published by Schneider Electric
© 2023 - Schneider Electric – All rights reserved

04-2026