

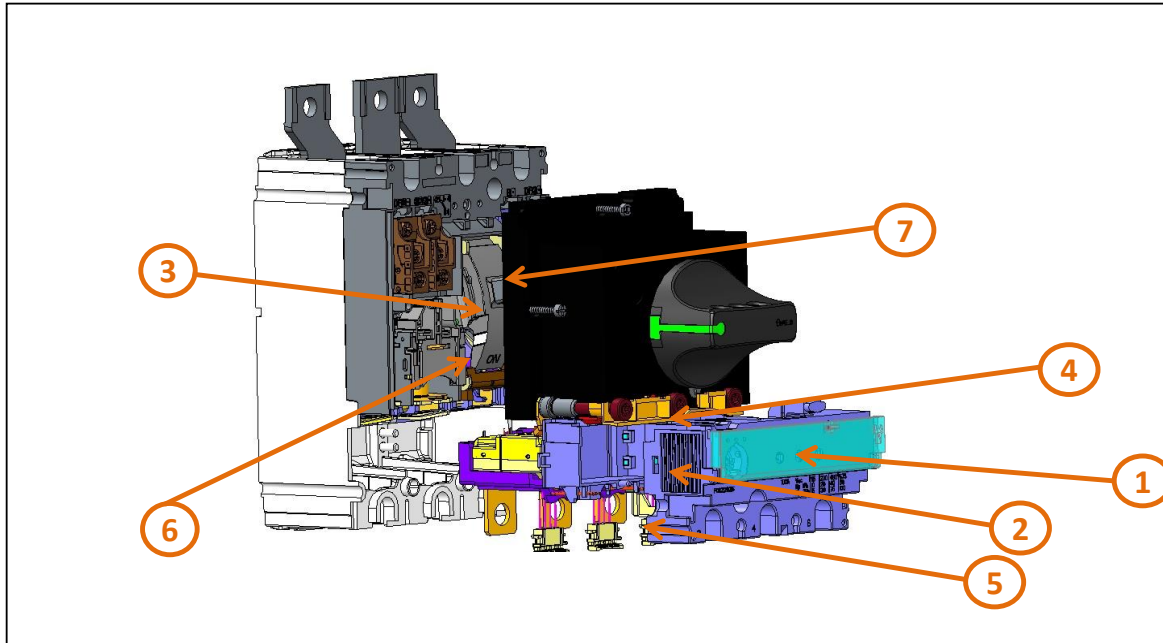
# Product End of Life Instructions

**TeSys Giga 3P 250-500A Motor Circuit Breaker**

**TeSys GV6**



 **End of Life Instructions**



Recommendation	Number on drawing	Component / Material	Weight (in g)	Comment
To be depolluted	1, 2, 3	Electronic Board (Communication) > 10cm <sup>2</sup>	35.87	
To be depolluted	4, 5, 6	Other plastic parts with brominated flame retardants	6.79	
To be depolluted	7	PC, ABS-PC, PA, PA6, HDPE, SAN with brominated flame retardants	2.34	

 **Product description**

Manufacturer identification	Schneider Electric Industries SAS
Brand name	Schneider Electric
Product function	"The Motor Breaker GV6P 3 pole circuit breaker equipped with Micrologic 2.2 trip unit is designed to provide protection against overloads and short-circuits for electrical motors with assigned voltage up to 690VAC and rated current of 500A"
Product reference	GV6P500H
Additional similar product references	GV6P320F GV6P320H GV6P500F GV6P500H
Total representative product mass	6400 g
Representative product dimensions	255mm x140mm x179mm
Accessories	NO
Date of information release	05/2024

 **Additional information**

<b>Legal information</b>	This product family is in the scope of European Union directive 2012/19/EU on Waste Electrical and Electronic Equipment (WEEE). The product family must be disposed according to the legislation of the country. This document is intended for use by end of life recyclers or treatment facilities. It provides the basic information to assure an appropriate end of life treatment for the components and materials of the product.	
<b>In case of special transportation: transportation method</b>	NO	
<b>Recyclability potential</b>	<b>75%</b>	Recyclability rate has been calculated based on REEECY'LAB tool developed by Ecosystem, for components/materials not covered by the tool, data from the "ECO'DEEE recyclability and recoverability calculation method" was taken. If no data was found a conservative assumption was used (0% recyclability).

Schneider Electric Industries SAS

Country Customer Care Center  
<http://www.se.com/contact>

35, rue Joseph Monier  
 CS 30323  
 F- 92500 Rueil Malmaison Cedex  
 RCS Nanterre 954 503 439  
 Capital social 928 298 512 €

[www.se.com](http://www.se.com)

ENVEOLI1905003\_V2

Published by Schneider Electric

© 2023 - Schneider Electric – All rights reserved

05/2024