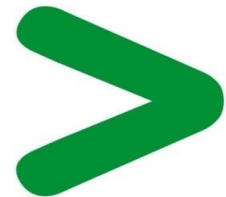


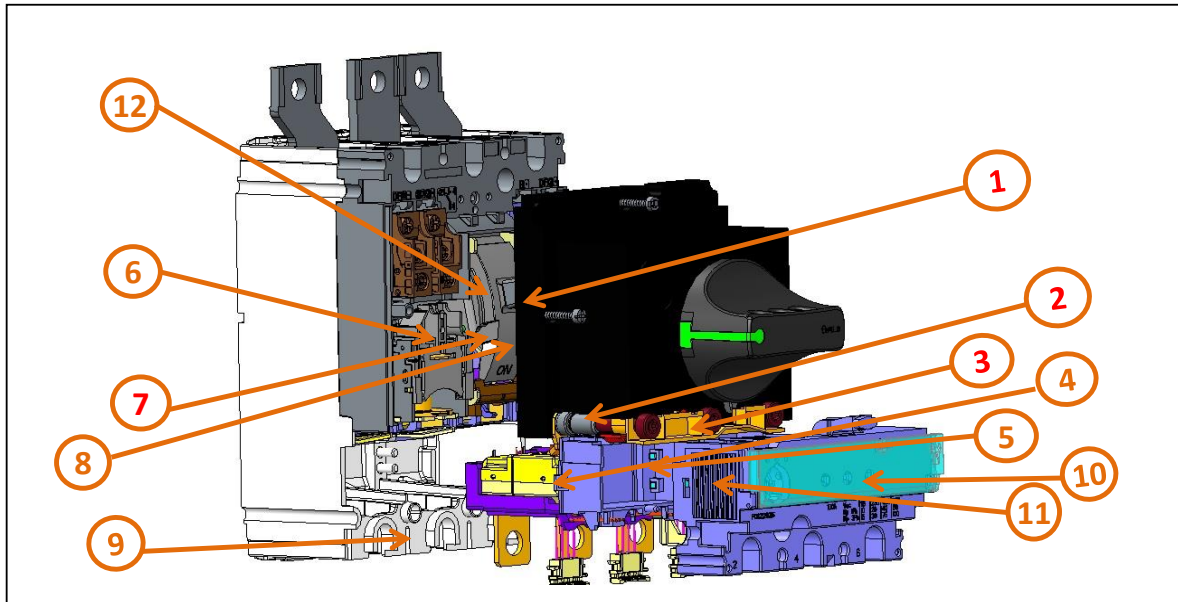
Product End of Life Instructions

TeSys Giga 3P 100-220A Motor Circuit Breaker

TeSys GV5



End of Life Instructions



| Recommendation | Number on drawing | Component / Material | Weight (in g) | Comment |
|------------------|-------------------|---|---------------|---------|
| To be depolluted | 1, 2, 3, 7 | PC, ABS-PC, PA, PA6, HDPE, SAN with brominated flame retardants | 6.01 | |
| To be depolluted | 4, 5, 6, 8, 9 | Other plastic parts with brominated flame retardants | 35.04 | |
| To be depolluted | 10,11,12 | Electronic Board (Communication) > 10cm ² | 59.12 | |

Product description

| | |
|---------------------------------------|---|
| Manufacturer identification | Schneider Electric Industries SAS |
| Brand name | Schneider Electric |
| Product function | The Motor Breaker GV5P 3 pole circuit breaker equipped with Micrologic 2.2 trip unit is designed to provide protection against overloads and short-circuits for electrical motors with assigned voltage up to 690VAC and rated current of 220A" |
| Product reference | GV5P220H |
| Additional similar product references | GV5P150F GV5P150H GV5P220F GV5P220H |
| Total representative product mass | 2200 g |
| Representative product dimensions | 161mm x 105mm x 86mm |
| Accessories | No |
| Date of information release | 05/2024 |



Additional information

| | | |
|---|--|--|
| Legal information | This product family is in the scope of European Union directive 2012/19/EU on Waste Electrical and Electronic Equipment (WEEE). The product family must be disposed according to the legislation of the country. This document is intended for use by end of life recyclers or treatment facilities. It provides the basic information to assure an appropriate end of life treatment for the components and materials of the product. | |
| In case of special transportation: transportation method | No | |
| Recyclability potential | 69% | Recyclability rate has been calculated based on REEECY'LAB tool developed by Ecosystem, for components/materials not covered by the tool, data from the "ECO'DEEEE recyclability and recoverability calculation method" was taken. If no data was found a conservative assumption was used (0% recyclability). |

Schneider Electric Industries SAS

Country Customer Care Center
<http://www.se.com/contact>

35, rue Joseph Monier
 CS 30323
 F- 92500 Rueil Malmaison Cedex
 RCS Nanterre 954 503 439
 Capital social 928 298 512 €

www.se.com

ENVEOLI1905002_V2

Published by Schneider Electric

© 2023 - Schneider Electric – All rights reserved

05-2024