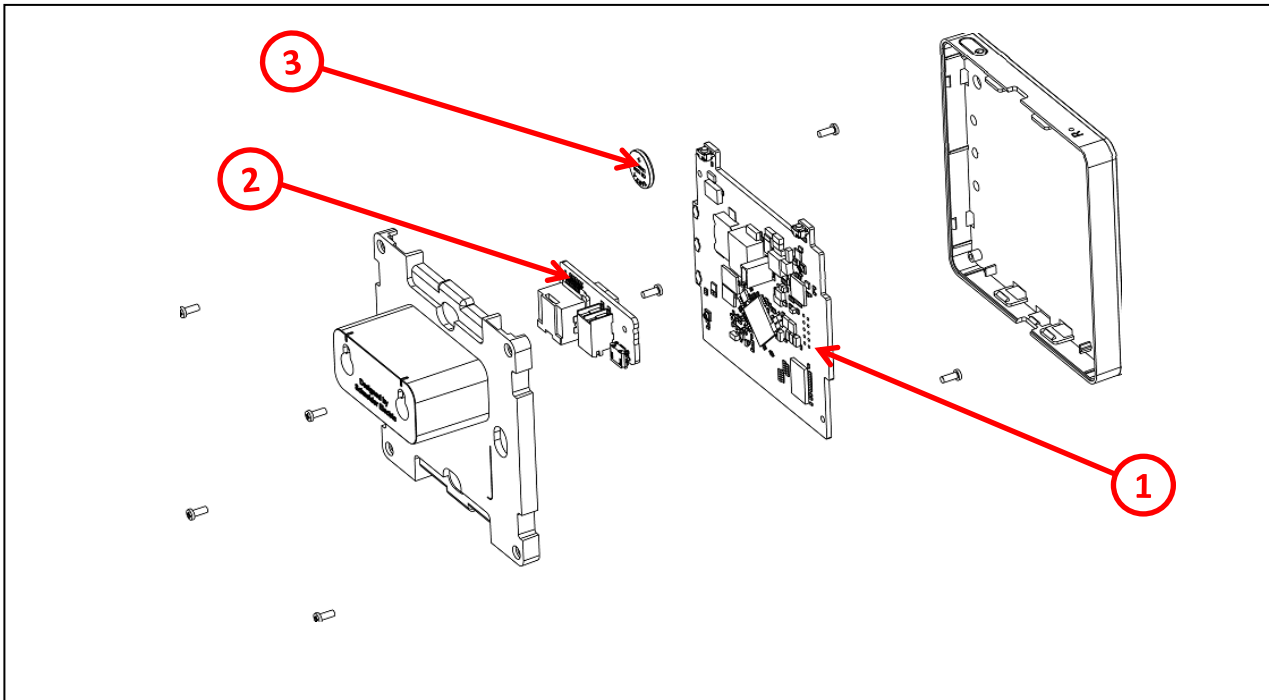


# Product End of Life Instructions

## Wiser ZB/IP Gateway



## End of Life Instructions



Recommendation	Number on drawing	Component / Material	Weight (in g)	Comment
To be depolluted	1	Electronic Board (Communication) > 10cm <sup>2</sup>	23.3	Including all soldering parts
To be depolluted	2	Electronic Board (Communication) < 10cm <sup>2</sup>	5.3	Including all soldering parts
To be depolluted	3	Other battery	0.9	used in PCBA

## Product description

Manufacturer identification	Schneider Electric Industries SAS
Brand name	Schneider Electric
Product function	The Wisier ZB/IP Gateway is a communication interface that can connect to all your Wisier Zigbee devices, enabling you to easily manage your home environment, and it comply with standard EN/IEC 62368-1.
Product reference	CCT501400
Additional similar product references	CCT501400
Total representative product mass	177 g
Representative product dimensions	86mm × 86mm × 34mm
Accessories	No
Date of information release	03/2019



## Additional information

<b>Legal information</b>	This product family is in the scope of European Union directive 2012/19/EU on Waste Electrical and Electronic Equipment (WEEE). The product family must be disposed according to the legislation of the country. This document is intended for use by end of life recyclers or treatment facilities. It provides the basic information to assure an appropriate end of life treatment for the components and materials of the product.	
<b>In case of special transportation: transportation method</b>	No	
<b>Recyclability potential</b>	<b>71%</b>	Based on "ECO'DEEE recyclability and recoverability calculation method" (version V1, 20 Sep. 2008 presented to the French Agency for Environment and Energy Management: ADEME).

Schneider Electric Industries SAS  
 Country Customer Care Center  
<http://www.schneider-electric.com/contact>  
 35, rue Joseph Monier  
 CS 30323  
 F- 92506 Rueil Malmaison Cedex  
 RCS Nanterre 954 503 439  
 Capital social 896 313 776 €  
[www.schneider-electric.com](http://www.schneider-electric.com)

Published by Schneider Electric

ENVEOLI1902004\_V1

© 2017 - Schneider Electric – All rights reserved

03/2019