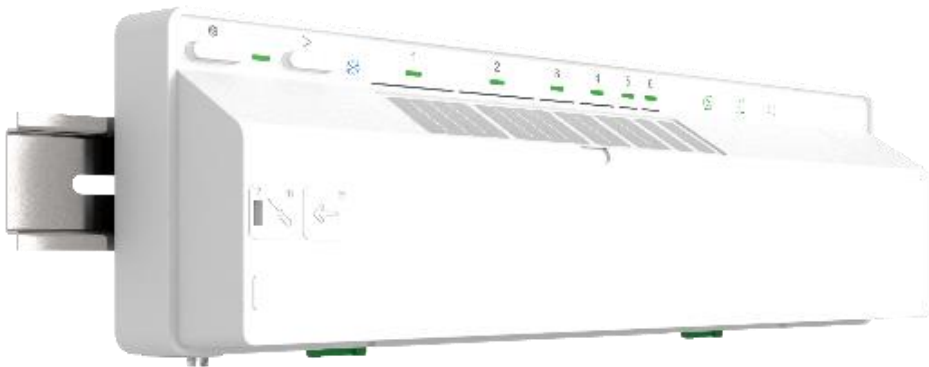


Product End of Life Instructions

Wiser UFH (Under Floor Heating)

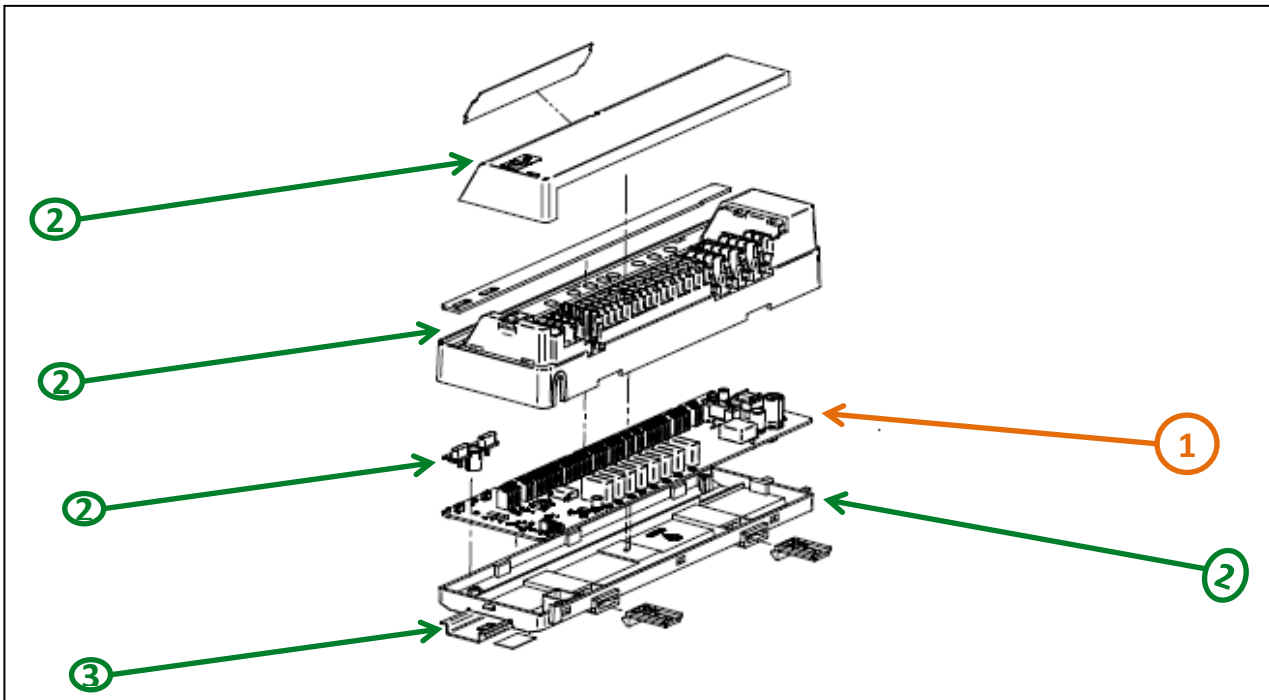




Potential disassembly risks



End of Life Instructions



Recommendation	Number on drawing	Component / Material	Weight (in g)	Comment
To be depolluted	1	Electronic Board (Communication) > 10cm ²	161.714	Includes Antenna
Other	2	Plastics	431.95	
Other	3	Metal	88.832	



Product description

Manufacturer identification	Schneider Electric Industries SAS
Brand name	EBERLE
Product function	The underfloor heating connection strip makes Wiser a complete heating control system. You can control your radiators as well as your underfloor heating via the Wiser Heat app. It pilots maximum 6 electrical vanes in ON/OFF mode by relay. The targeted temperature is setup by a RF communication network with a home automate controller.
Product reference	WF762F1A180B
Additional similar product references	WF762F1A180B WF162F1A1800 WF162F2A1800
Total representative product mass	680 g
Representative product dimensions	300mm x 96mm x 66mm
Date of information release	05/2018



Additional information

Legal information	This product family is in the scope of European Union directive 2012/19/EU on Waste Electrical and Electronic Equipment (WEEE). The product family must be disposed according to the legislation of the country. This document is intended for use by end of life recyclers or treatment facilities. It provides the basic information to assure an appropriate end of life treatment for the components and materials of the product.	
Recyclability potential	16%	Based on "ECO'DEEE recyclability and recoverability calculation method" (version V1, 20 Sep. 2008 presented to the French Agency for Environment and Energy Management: ADEME).

Schneider Electric Industries SAS

Country Customer Care Center
<http://www.schneider-electric.com/contact>

35, rue Joseph Monier
 CS 30323
 F- 92506 Rueil Malmaison Cedex
 RCS Nanterre 954 503 439
 Capital social 896 313 776 €

www.schneider-electric.com

ENVEOLI1806002

Published by Schneider Electric

© 2017 - Schneider Electric – All rights reserved

10/2018