

Product End of Life Instructions

APM Standard Power Module 160kW - 380...480V

**ATV600/900 Altivar Process Modular Standard
110kW...1200kW (125HP...1200HP), 380V...690V**



Schneider
Electric



Potential disassembly risks



DANGER



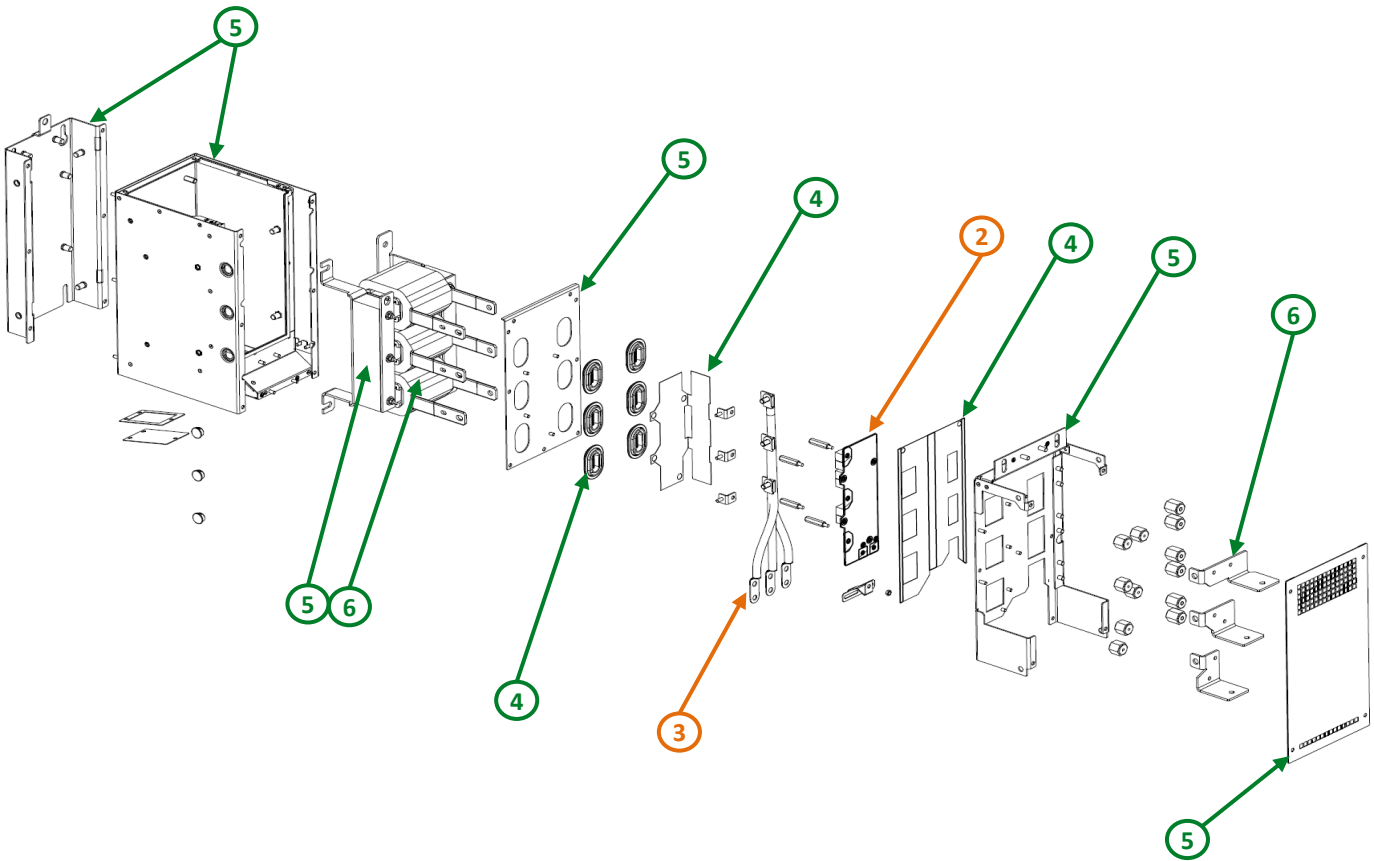
HAZARD OF ELECTRIC SHOCK, EXPLOSION OR ARC FLASH

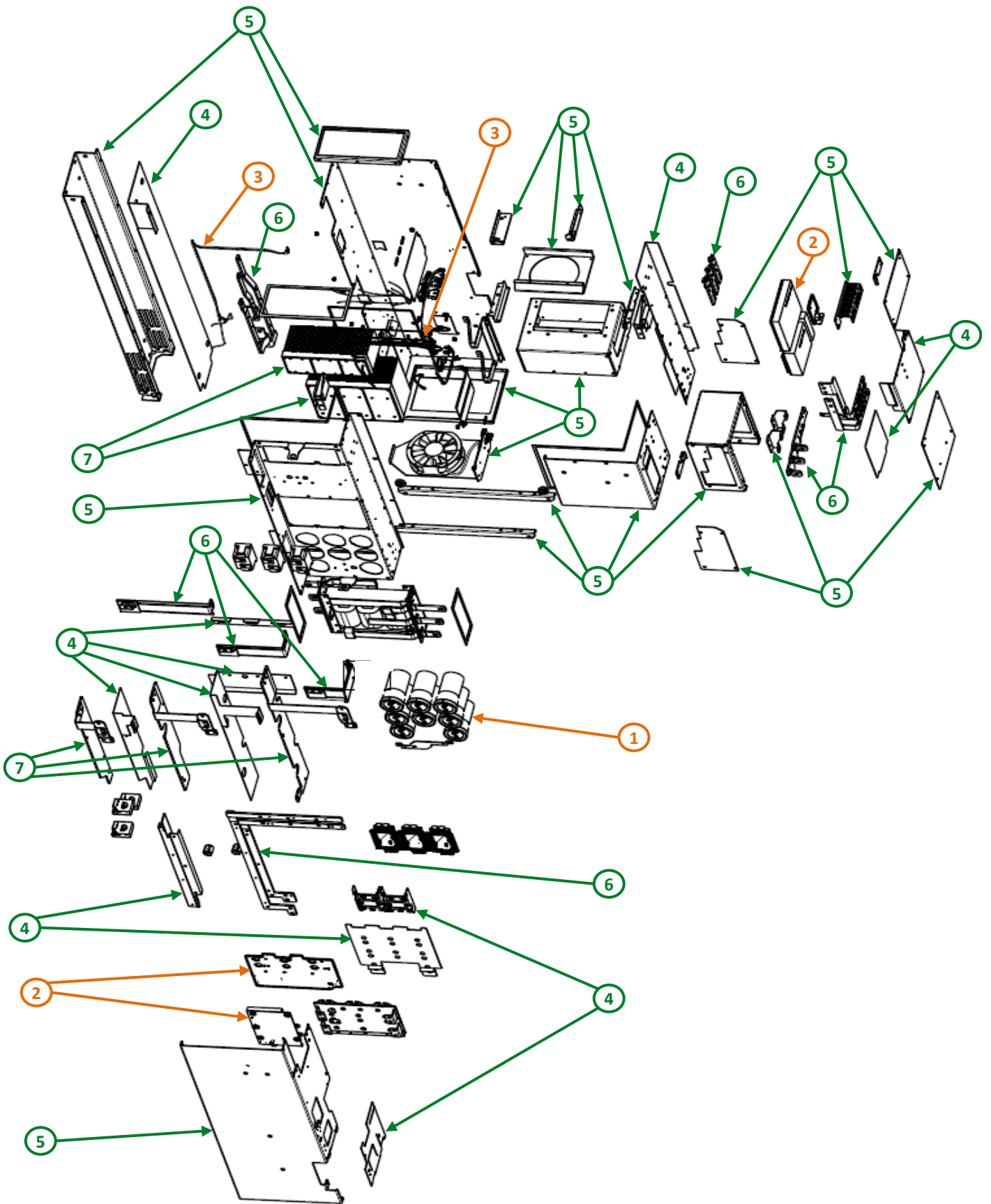
- Before servicing, remove all power and wait 15 minutes.
- Verify that no voltage is present.
- Ground and short circuit the phases.
- Mount all protective covers after servicing.
- Read the instructions.

Failure to follow these instructions will result in death or serious injury.



End of Life Instructions





Recommendation	Number on drawing	Component / Material	Weight (in g)	Comment
To be depolluted	1	Electrolyte capacitors which size: height > 25 mm, diameter > 25 mm or proportionately similar volume	4952	
To be depolluted	2	Electronic Board (Power) > 10cm ²	1465	
To be depolluted	3	Cable (high current)	1023	
To be dismantled	4	Plastic	741	Insulation, Cover
To be dismantled	5	Steel	59949	Housing
To be dismantled	6	Copper	9377	Bars
To be dismantled	7	Aluminium	17285	Heatsink, Bars
Other			68149	Chokes



Product description

Manufacturer identification	Schneider Electric Industries SAS
Brand name	Schneider Electric
Product function	The main function of the Altivar Process product range is the speed control and variation of a synchronous, asynchronous or reluctance electric motor for fluid management and industrial applications. The APM Standard is a Drive Module to be integrated into a Drive System by a Certified Partner.
Product reference	APM1A0C16N4
Total representative product mass	155000 g
Representative product dimensions	1705mm x 510mm x 230mm
Date of information release	03/2018



Additional information

Legal information	This product family is in the scope of European Union directive 2012/19/EU on Waste Electrical and Electronic Equipment (WEEE). The product family must be disposed according to the legislation of the country. This document is intended for use by end of life recyclers or treatment facilities. It provides the basic information to allow an appropriate end of life treatment for the components and materials of the product.	
Recyclability potential	84%	Based on "ECO'DEEE recyclability and recoverability calculation method" (version V1, 20 Sep. 2008 presented to the French Agency for Environment and Energy Management: ADEME).

Schneider Electric Industries SAS

Country Customer Care Center
<https://www.schneider-electric.com/contact>

35, rue Joseph Monier
 CS 30323

F- 92506 Rueil Malmaison Cedex
 RCS Nanterre 954 503 439
 Capital social 896 313 776 €

www.schneider-electric.com

Published by Schneider Electric

ENVEOLI1802012EN_V1

© 2018 - Schneider Electric – All rights reserved

03/2018