

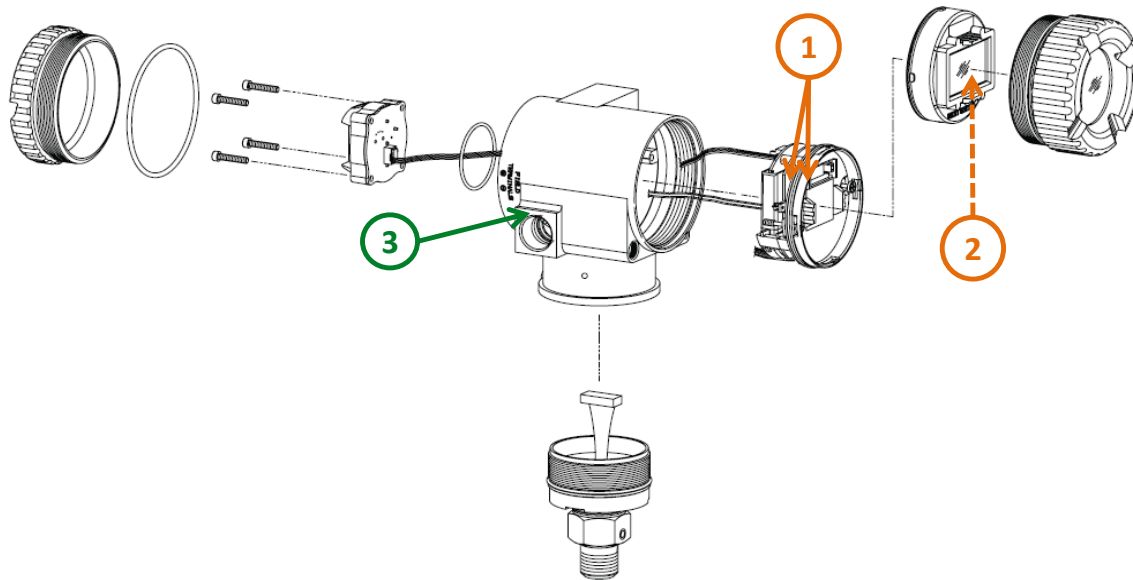
# Product End of Life Instructions

**IGP10S-Intelligent, two-wire transmitter for measurement of absolute and gauge pressure**

**IAP – IDP – IGP series**



## End of Life Instructions



Recommendation	Number on drawing	Component / Material	Weight (in g)	Comment
To be depolluted	1	Electronic Board (Communication) greater than 10cm <sup>2</sup>	259.1	PCBA (Communication)
To be depolluted	2	LCD	5.5	LCD
Other	3	Metals, Semimetals, Plastics and Other parts	1235.4	Except for the above parts

## Product description

Manufacturer identification	Schneider Electric Industries SAS
Brand name	Schneider Electric
Product function	Field installed electronic transmitter for measuring pressure under a range of conditions within Industrial applications.
Product reference	IGP10S
Additional similar product references	This Document covers IAP05S, IAP10S, IAP50S, IDP05S, IDP10S, IDP50S, IGP05S, IGP50S and IGP10S Intelligent, two-wire transmitter for measurement of absolute and gauge pressure
Total representative product mass	1500 g
Representative product dimensions	165 mm x 96 mm x 124 mm
Accessories	None
Date of information release	10-2024

## Additional information

<b>Legal information</b>	This product family is in the scope of European Union directive 2012/19/EU on Waste Electrical and Electronic Equipment (WEEE). The product family must be disposed according to the legislation of the country. This document is intended for use by end of life recyclers or treatment facilities. It provides the basic information to assure an appropriate end of life treatment for the components and materials of the product.
<b>In case of special transportation: transportation method</b>	No special transportation required.
<b>Recyclability potential</b>	<b>77%</b> The recyclability rate was calculated from the recycling rates of each material making up the product based on REEECY'LAB tool developed by Ecosystem, for components/materials not covered by the tool, data from the EIME database and the related PSR was taken. If no data was found a conservative assumption was used (0% recyclability).

Schneider Electric Industries SAS

Country Customer Care Center <http://www.schneider-electric.com/contact>

+001 508 549 3992

70 Mechanic Street

MA 02035

Foxboro

USA

[www.se.com](http://www.se.com)

ENVEOLII1801005\_V3

Published by Schneider Electric

© 2023 - Schneider Electric – All rights reserved

10-2024