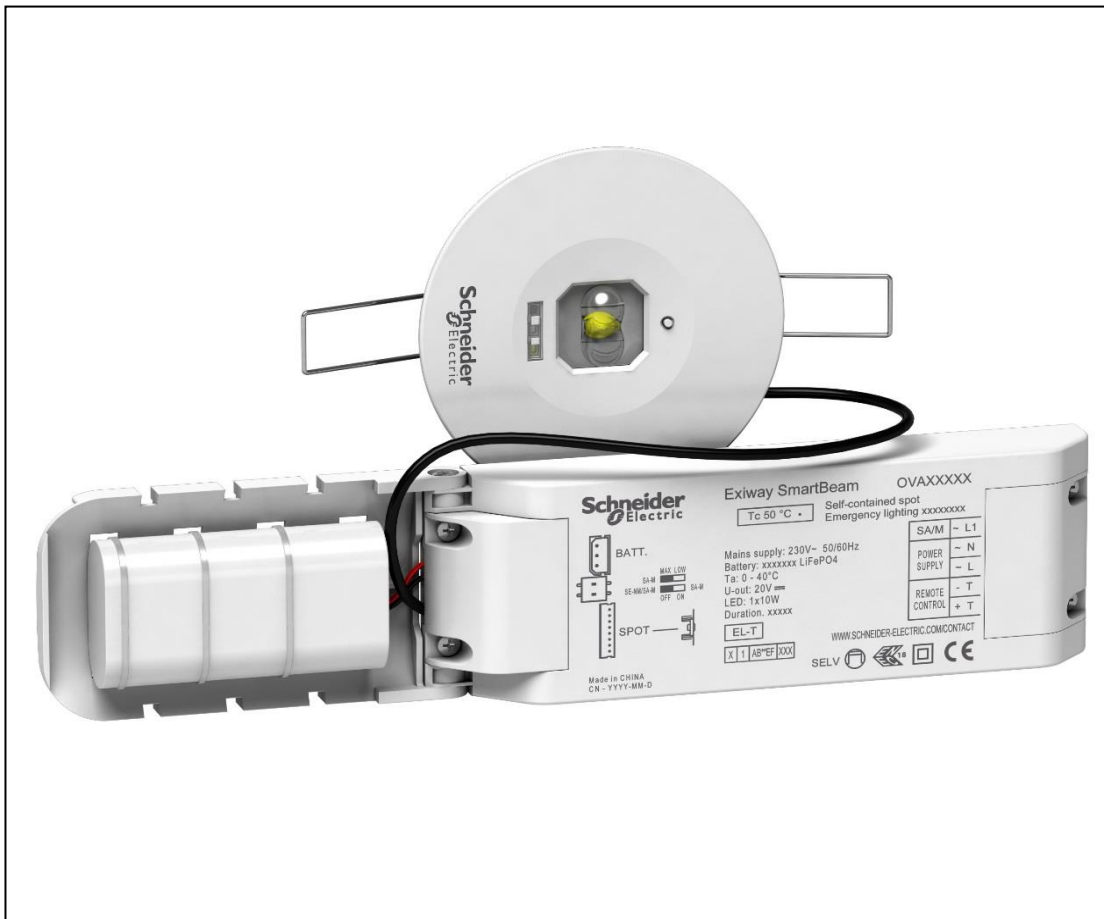


Product End of Life Instructions

EXW- SMARTBEAM -FR IP20-42 ACT.L/SA/3LFP

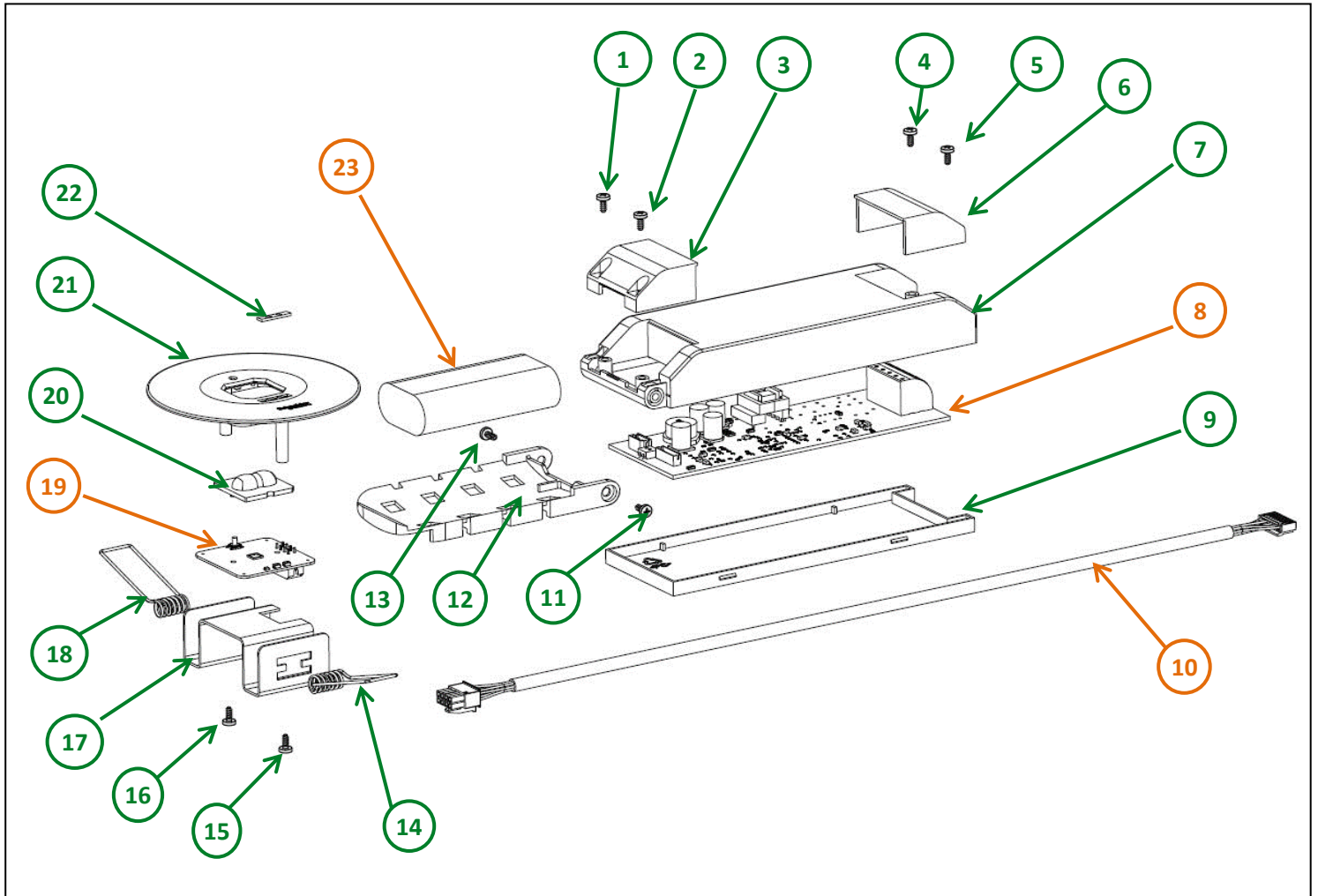




Potential disassembly risks



End of Life Instructions



Recommendation	Number on drawing	Component / Material	Weight (in g)	Comment
To be depolluted	10	Cable (low current)	21	
To be depolluted	23	Other battery	86	LiFePo4
To be depolluted	8,19	Electronic Board (Power) > 10cm ²	66	
To be dismantled	1,2,4,5,11,13	Screws	4,5	
To be dismantled	14,17,18	Steel	37	
To be dismantled	3,6,7,9,12,21	PC	85	White PC
To be dismantled	20,22	PC	2,5	Clear PC



Product description

Manufacturer identification	Schneider Electric Industries SAS
Brand name	Schneider Electric
Product function	Maintained emergency luminaire (definition of EN60598-2-22 clause 22.3.5) luminaire in which the emergency lighting lamps are energized at all times when normal or emergency lighting is required
Product reference	OVA48922
Additional similar product references	OVA48922
Total representative product mass	303 g
Representative product dimensions	24x256,5x56
Accessories	0
Date of information release	04/2018



Additional information

Legal information	This product family is in the scope of European Union directive 2012/19/EU on Waste Electrical and Electronic Equipment (WEEE). The product family must be disposed according to the legislation of the country. This document is intended for use by end of life recyclers or treatment facilities. It provides the basic information to assure an appropriate end of life treatment for the components and materials of the product.	
In case of special transportation: transportation method	0	
Recyclability potential	58%	Based on "ECO'DEEE recyclability and recoverability calculation method" (version V1, 20 Sep. 2008 presented to the French Agency for Environment and Energy Management: ADEME).

Schneider Electric Industries SAS

Country Customer Care Center
<http://www.schneider-electric.com/contact>

35, rue Joseph Monier
 CS 30323
 F- 92506 Rueil Malmaison Cedex
 RCS Nanterre 954 503 439
 Capital social 896 313 776 €

www.schneider-electric.com

ENVEOLI1712008_V1-EN

Published by Schneider Electric

© 2017 - Schneider Electric – All rights reserved

04/2018

