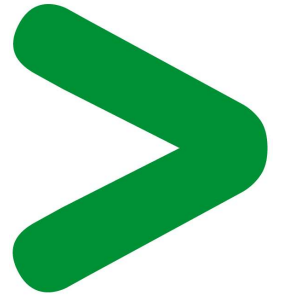


# Product End of Life Instructions

## PowerLogic PFC

This document describes the end of life information for all the Low voltage can type heavy duty capacitors manufactured in Schneider Electric power PFC division, Bangalore.





## Potential disassembly risks

### Safety instructions during disassembly

- **Discharge the capacitor before handling, risk of electrical shock due to the presence of any residual charge on the terminals.**

**PowerLogic™ PFC** Schneider Electric

**Mounting**

- Vertical ✓
- Horizontal ✓

**Ventilation**

- Ensure adequate Ventilation
- Ensure airflow from bottom to top

EAC CE UK CA

**WARNING / AVERTISSEMENT / ADVERTENCIA**

**HAZARD OF ELECTRICAL SHOCK**  
 Wait 5 minutes after isolating supply before handling  
 Failure to follow these instructions can result in death, serious injury or equipment damage.

**RISQUE DE CHOC ELECTRIQUE**  
 Attendez 5 minutes après déconnexion avant toute manipulation des condensateurs  
 Le non-respect de ces instructions peut provoquer la mort, des blessures graves ou des dommages matériels.

**PELIGRO DE DESCARGA ELÉCTRICA**  
 Espere 5 minutos después de aislar el suministro de energía antes de manipular  
 El incumplimiento de estas instrucciones puede causar la muerte, lesiones graves o daños al equipo.

Made in India | Fabriqué en Inde | Hecho en India | 印度制造 se.com/contact

**Schneider Electric**

**PowerLogic™ PFC**

**Mounting**

- Vertical ✓
- Horizontal ✓

**Ventilation**

- Ensure adequate Ventilation
- Ensure airflow from bottom to top

EAC CE UK CA

**WARNING / AVERTISSEMENT / ADVERTENCIA**

**HAZARD OF ELECTRICAL SHOCK**  
 Wait 5 minutes after isolating supply before handling  
**Failure to follow these instructions can result in death, serious injury or equipment damage.**

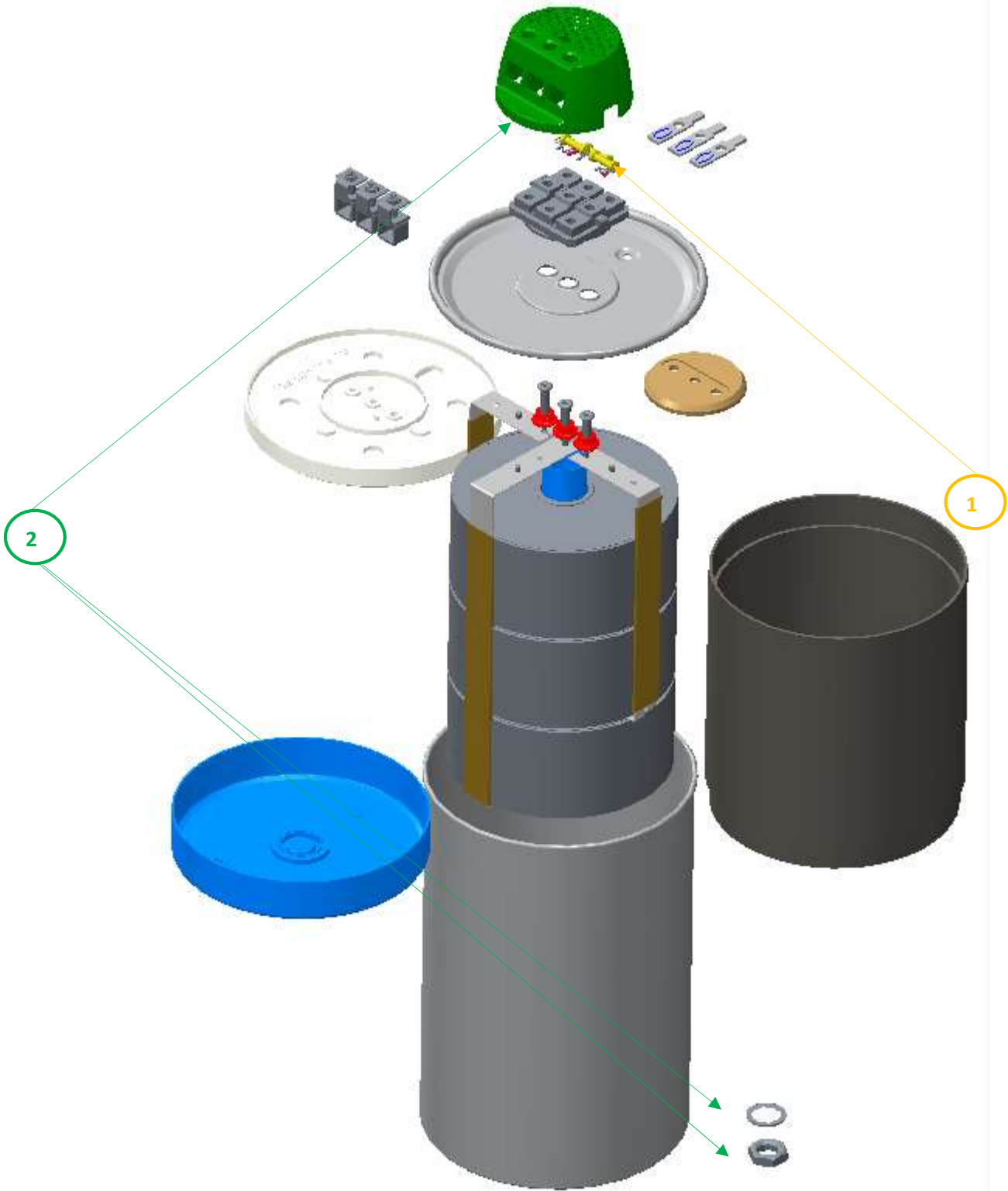
**RISQUE DE CHOC ELECTRIQUE**  
 Attendez 5 minutes après déconnexion avant toute manipulation des condensateurs  
**Le non-respect de ces instructions peut provoquer la mort, des blessures graves ou des dommages matériels.**

**PELIGRO DE DESCARGA ELÉCTRICA**  
 Espere 5 minutos después de aislar el suministro de energía antes de manipular  
**El incumplimiento de estas instrucciones puede causar la muerte, lesiones graves o daños al equipo.**

Made in India  
 Fabriqué en Inde  
 Hecho en India  
 印度制造

se.com/contact

 End of Life Instructions



Recommendation	Number on drawing	Component / Material	Weight (in g)	Comment
To be depolluted	1	Resistor 120kohm/ 3W	9	
To be dismantled	2	Steel Washer M12	1.63	
To be dismantled	2	Steel Nut M12	7.6	
To be dismantled	2	Terminal cover	25.1	



## Product description

<b>Manufacturer identification</b>	Schneider Electric Industries SAS
<b>Brand name</b>	Schneider Electric
<b>Product function</b>	To supply reactive power for power factor improvement applications. This product is designed for use in harsh network conditions consisting of harmonics.
<b>Product reference</b>	BLRCH300A360B40
<b>Additional similar product references</b>	BLRCH171A205B83 BLRCH055A066B69 BLRCH100A120B69 BLRCH111A133B69 BLRCH125A150B69 BLRCH138A165B69 BLRCH150A180B69 BLRCH200A240B69 BLRCH250A300B69 BLRCH276A331B69 BLRCH300A360B69 BLRCH400A480B69 BLRCH520A624B69 BLRCH042A050B60 BLRCH083A100B60 BLRCH104A125B60 BLRCH125A150B60 BLRCH167A200B60 BLRCH208A250B60 BLRCH250A300B60 BLRCH333A400B60 BLRCH417A500B60 BLRCH060A072B57 BLRCH120A144B57 BLRCH150A180B57 BLRCH292A350B57 BLRCH050A060B52 BLRCH080A096B52 BLRCH100A120B52 BLRCH106A127B52 BLRCH125A150B52 BLRCH135A162B52 BLRCH150A180B52 BLRCH154A185B52 BLRCH167A200B52 BLRCH172A206B52

BLRCH185A222B52  
BLRCH200A240B52  
BLRCH250A300B52  
BLRCH275A331B52  
BLRCH309A371B52  
BLRCH333A400B52  
BLRCH344A413B52  
BLRCH377A452B52  
BLRCH400A480B52  
BLRCH417A500B52  
BLRCH456A547B52  
BLRCH500A600B52  
BLRCH431A516B52  
BLRCH042A050B52  
BLRCH083A100B52  
BLRCH208A250B52  
BLRCH444A533B52  
BLRCHU377A452B52  
BLRCH377A452B52VF  
BLRCH500A600B52VF  
BLRCH042A050B48  
BLRCH050A060B48  
BLRCH075A090B48  
BLRCH088A106B48  
BLRCH104A125B48  
BLRCH113A136B48  
BLRCH125A150B48  
BLRCH136A163B48  
BLRCH144A173B48  
BLRCH155A186B48  
BLRCH170A204B48  
BLRCH180A216B48  
BLRCH208A250B48  
BLRCH227A272B48  
BLRCH250A300B48  
BLRCH258A310B48  
BLRCH288A346B48  
BLRCH315A378B48  
BLRCH333A400B48  
BLRCH339A407B48  
BLRCH417A500B48  
BLRCH453A544B48  
BLRCH517A620B48  
BLRCH567A680B48  
BLRCH620A000B48  
BLRCH680A000B48  
BLRCH083A100B48  
BLRCH192A230B48  
BLRCH372A446B48  
BLRCH402A482B48  
BLRCHU339A407B48  
BLRCH025A030B48  
BLRCH067A080B48  
BLRCH421A505B48  
BLRCH050A060B44  
BLRCH075A090B44  
BLRCH100A120B44  
BLRCH112A134B44

BLRCH225A270B44  
BLRCH125A150B44  
BLRCH143A172B44  
BLRCH150A180B44  
BLRCH169A203B44  
BLRCH182A218B44  
BLRCH200A240B44  
BLRCH238A286B44  
BLRCH250A300B44  
BLRCH285A342B44  
BLRCH303A000B44  
BLRCH315A378B44  
BLRCH335A401B44  
BLRCH400A480B44  
BLRCH476A571B44  
BLRCH500A000B44  
BLRCH571A000B44  
BLRCH417A500B44  
BLRCH042A050B44  
BLRCH083A100B44  
BLRCH208A250B44  
BLRCH025A030B40  
BLRCH030A036B40  
BLRCH050A060B40  
BLRCH063A075B40  
BLRCH075A090B40  
BLRCH083A100B40  
BLRCH104A125B40  
BLRCH125A150B40  
BLRCH150A180B40  
BLRCH167A200B40  
BLRCH200A240B40  
BLRCH208A250B40  
BLRCH250A300B40  
BLRCH333A400B40  
BLRCH400A480B40  
BLRCH417A500B40  
BLRCH500A000B40  
BLRCHU250A300B40  
BLRCHUM215A258B40  
BLRCHUM233A280B40  
BLRCHM215A258B40  
BLRCHM233A280B40  
BLRCHM258A310B40  
BLRCHM280A336B40  
BLRCH021A025B24  
BLRCH027A033B24  
BLRCH042A050B24  
BLRCH054A065B24  
BLRCH063A075B24  
BLRCH083A100B24  
BLRCH109A130B24  
BLRCH117A140B24  
BLRCH131A157B24  
MEHVCGSF069A52  
MEHVCGSF125A52  
MEHVCGSF138A52  
MEHVCGSF154A52

MEHVCGSF172A52  
MEHVCGSF185A52  
MEHVCGSF206A52  
MEHVCGSF226A52  
MEHVCGSF250A52  
MEHVCGSF275A52  
MEHVCGSF306A52  
MEHVCGSF331A52  
MEHVCGSF331A52PB  
MEHVCGSF344A52  
MEHVCGSF377A52  
MEHVCGSF165A52  
MEHVCGSF056A48  
MEHVCGSF067A48  
MEHVCGSF113A48  
MEHVCGSF125A48  
MEHVCGSF144A48  
MEHVCGSF155A48  
MEHVCGSF170A48  
MEHVCGSF190A48  
MEHVCGSF224A48  
MEHVCGSF250A48  
MEHVCGSF281A48  
MEHVCGSF281A48PB  
MEHVCGSF315A48  
MEHVCGSF050A44  
MEHVCGSF075A44  
MEHVCGSF100A44  
MEHVCGSF100A44PB  
MEHVCGSF125A44  
MEHVCGSF150A44  
MEHVCGSF200A44  
MEHVCGSF200A44PB  
MEHVCGSF250A44  
MEHVCGSF250A44PB  
MEHVCGSF300A44  
MEHVCGSF400A44  
MEHVCGSF500A44  
MEHVCHDY456A52  
MEHVCHDY069A52  
MEHVCHDY125A52  
MEHVCHDY138A52  
MEHVCHDY154A52  
MEHVCHDY172A52  
MEHVCHDY185A52  
MEHVCHDY206A52  
MEHVCHDY226A52  
MEHVCHDY250A52  
MEHVCHDY250A52PB  
MEHVCHDY275A52  
MEHVCHDY306A52  
MEHVCHDY331A52  
MEHVCHDY331A52PB  
MEHVCHDY344A52  
MEHVCHDY377A52  
MEHVCHDY500A52  
MEHVCHDY056A48  
MEHVCHDY067A48

MEHVCHDY113A48  
MEHVCHDY125A48  
MEHVCHDY144A48  
MEHVCHDY155A48  
MEHVCHDY170A48  
MEHVCHDY190A48  
MEHVCHDY224A48  
MEHVCHDY250A48  
MEHVCHDY281A48  
MEHVCHDY281A48PB  
MEHVCHDY315A48  
MEHVCHDY339A48  
MEHVCHDY010A44  
MEHVCHDY020A44  
MEHVCHDY030A44  
MEHVCHDY040A44  
MEHVCHDY050A44  
MEHVCHDY050A44PB  
MEHVCHDY075A44  
MEHVCHDY100A44  
MEHVCHDY100A44PB  
MEHVCHDY125A44  
MEHVCHDY150A44  
MEHVCHDY150A44PB  
MEHVCHDY200A44  
MEHVCHDY200A44PB  
MEHVCHDY250A44  
MEHVCHDY250A44PB  
MEHVCHDY300A44  
MEHVCHDY400A44  
MEHVCHDY500A44  
MEHVCHDY500A44PB  
MEHVCGSF125A41  
MEHVCGSF250A41  
MEHVCGSF500A41  
MEHVCHDY050A41  
MEHVCHDY100A41  
MEHVCHDY125A41  
MEHVCHDY150A41  
MEHVCHDY200A41  
MEHVCHDY250A41  
MEHVCHDY500A41  
CAPCDR125  
CAPCDR250  
CAPCDR500  
CAPCDRX00  
VCKIT07250A41  
VCKIT07250A44  
VCKIT07500A41  
VCKIT07500A44  
VCKIT14250A44  
VCKIT14500A44  
VCKITGSF07250A41  
VCKITGSF07250A44  
VCKITGSF07500A41  
VCKITGSF07500A44  
VCKITGSF14250A44  
VCKITGSF14500A44



Total representative product mass	Weight in g = 3697g
Representative product dimensions	H x D in mm = 242 (H) x 136 (D)
Accessories	NA
Date of information release	12/2022



## Additional information

Legal information	The product family must be disposed according to the legislation of the country. This document is intended for use by end of life recyclers or treatment facilities. It provides the basic information to assure an appropriate end of life treatment for the components and materials of the product.	
Recyclability potential	<b>62%</b>	Based on "ECO'DEEE recyclability and recoverability calculation method" (version V1, 20 Sep. 2008 presented to the French Agency for Environment and Energy Management: ADEME).

EoLI achieved with Schneider-Electric TT03 V7 procedure

### Schneider Electric Industries SAS

Country Customer Care Center

<http://www.schneider-electric.com/contact>

35, rue Joseph Monier

CS 30323

F- 92506 Rueil Malmaison Cedex

RCS Nanterre 954 503 439

Capital social 896 313 776 €

[www.schneider-electric.com](http://www.schneider-electric.com)

Published by Schneider Electric

ENVEOLI1612005\_V2

© 2016 - Schneider Electric – All rights reserved

12/2022