

Product End of Life Instructions

CANopen communication module, Modicon TM5

Modicon TM5 System Communication Modules





Potential disassembly risks

The information provided in this document assumes that the product is completely de-energized and uninstalled (refer to the instructions provided in the appropriate product manuals).

Dismantling/disassembling the product may entail hazards caused by, for example, sharp edges, chemical aggression or ejected parts.

⚠ WARNING

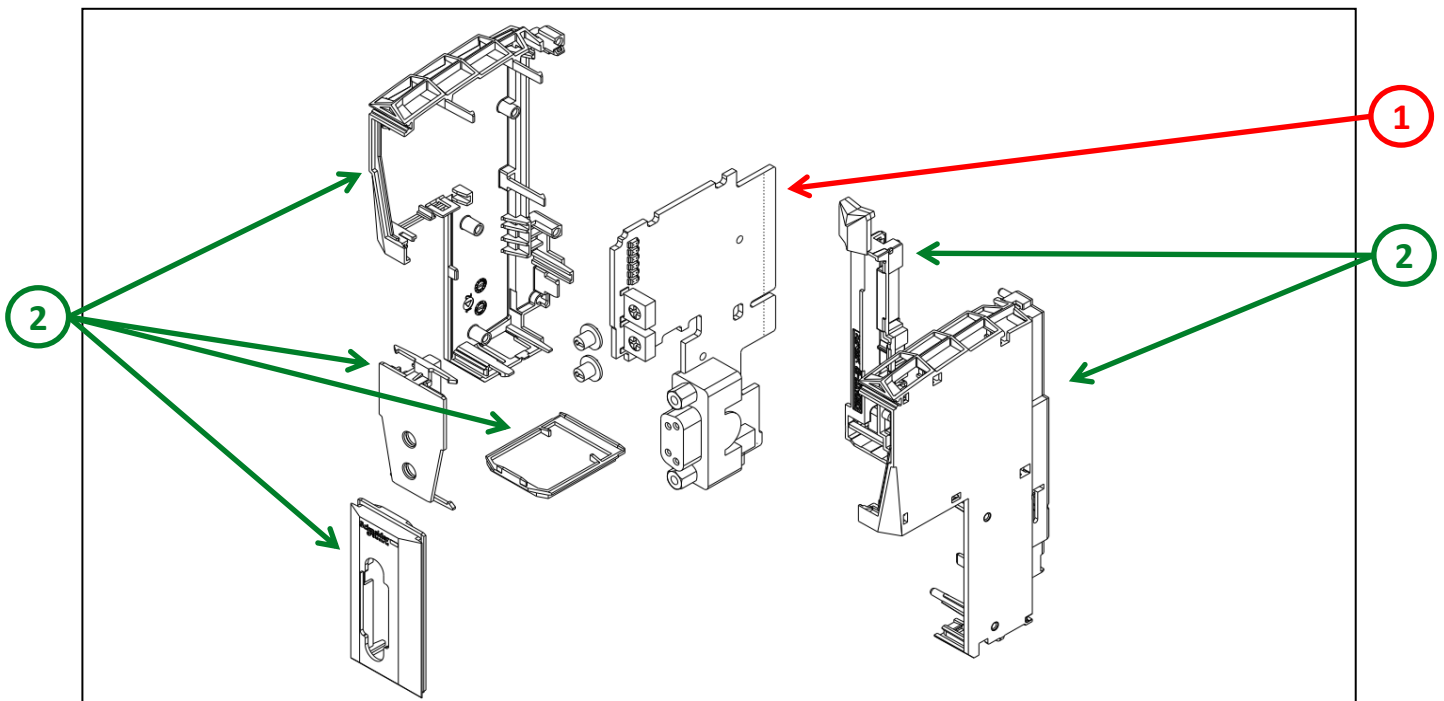
HAZARD DUE TO INSUFFICIENT PROTECTION

- Implement all safety measures required by the applicable regulations and by the processes used to dismantle/disassemble and dispose of the product.
- Use all necessary personal protective equipment such as gloves and goggles.

Failure to follow these instructions can result in death or serious injury.



End of Life Instructions



Recommendation	Number on drawing	Component / Material	Weight (in g)	Comment
To be depolluted	1	Electronic Board (Communication) > 10cm ²	40,9	
To be depolluted	2	PBT/PS	36,8	

Product description

Manufacturer identification	Schneider Electric Industries SAS
Brand name	Schneider Electric
Product function	This product is part of the Modicon TM5 range, an High-Performance and Safe IP20 Modular I/O System. This is a bus coupler designed for creating distributed IO islands on CANopen fieldbus, exchanging data between controller and distributed IO. This bus coupler works with an electronic power distribution module, a bus base and a terminal block.
Product reference	TM5NCO1
Additional similar product references	TM5NCO1 TM5NS31 TM5PCDPS TM5PCRS2 TM5PCRS4 TM5NEIP1 TM5SAI4AFS
Total representative product mass	77,67 g
Representative product dimensions	101,604 x 56,546 x 33,15 mm
Accessories	No
Date of information release	30/10/2025

Additional information

Legal information	This product family is in the scope of European Union directive 2012/19/EU on Waste Electrical and Electronic Equipment (WEEE). The product family must be disposed according to the legislation of the country. This document is intended for use by end of life recyclers or treatment facilities. It provides the basic information to assure an appropriate end of life treatment for the components and materials of the product.	
In case of special transportation: transportation method	No special transportation	
Recyclability potential	0%	The recyclability rate was calculated from the recycling rates of each material making up the product based on REEECY'LAB tool developed by Ecosystem, for components/materials not covered by the tool, data from the EIME database and the related PSR was taken. If no data was found a conservative assumption was used (0% recyclability).

Schneider Electric Industries SAS

Country Customer Care Center
<http://www.se.com/contact>

35, rue Joseph Monier
 CS 30323
 F- 92500 Rueil Malmaison Cedex
 RCS Nanterre 954 503 439
 Capital social 928 298 512 €

www.se.com

ENVEOLI1511025_V2

Published by Schneider Electric

© 2023 - Schneider Electric – All rights reserved

30/10/2025