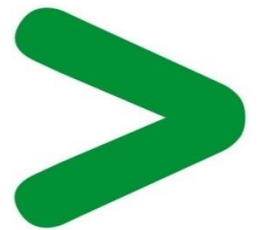


Product End of Life Instructions

Bus base, Modicon TM5, 24V DC

TM5 System Bus Bases





Potential disassembly risks

The information provided in this document assumes that the product is completely de-energized and uninstalled (refer to the instructions provided in the appropriate product manuals).

Dismantling/disassembling the product may entail hazards caused by, for example, sharp edges, chemical aggression or ejected parts.

⚠ WARNING

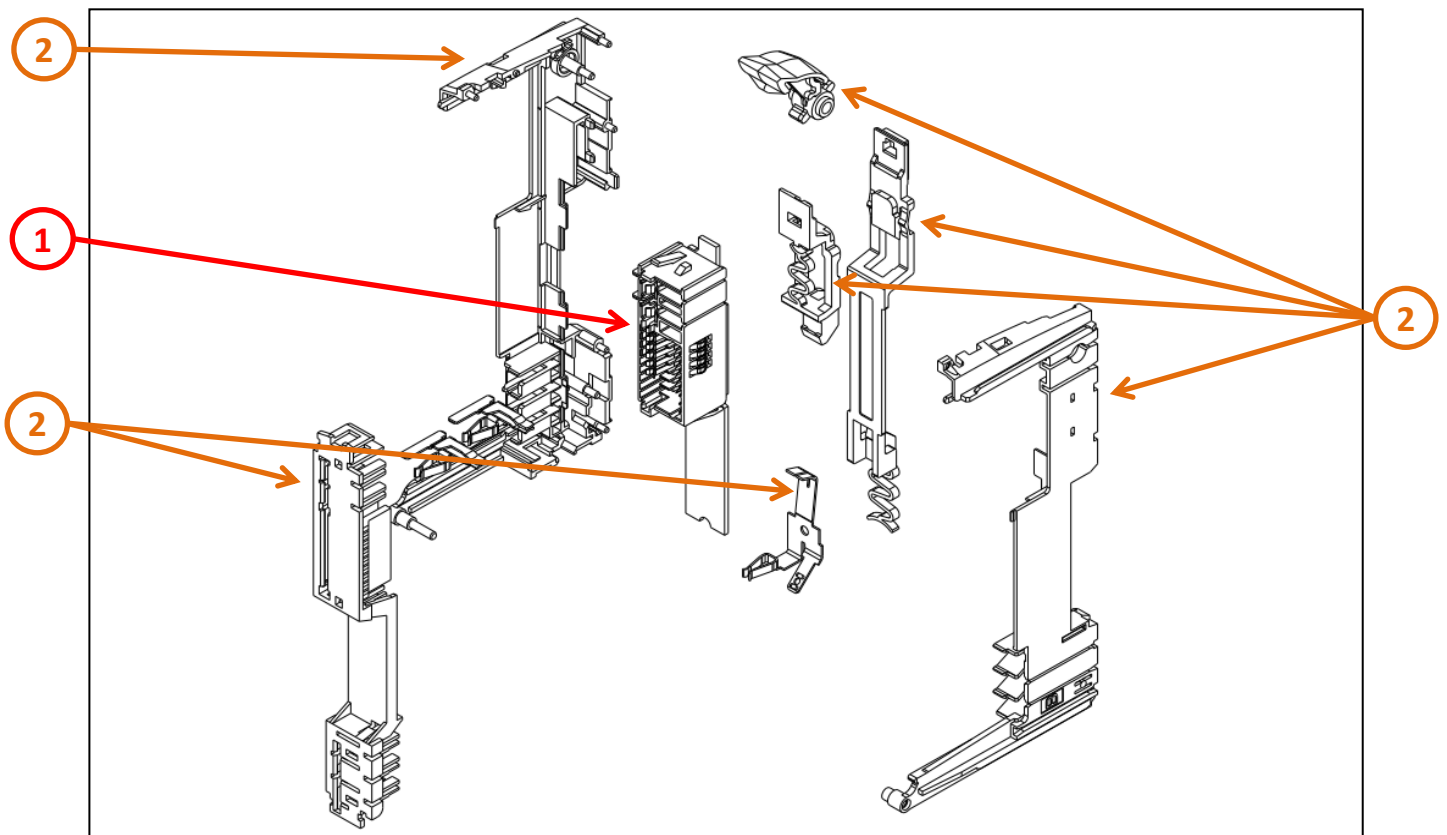
HAZARD DUE TO INSUFFICIENT PROTECTION

- Implement all safety measures required by the applicable regulations and by the processes used to dismantle/disassemble and dispose of the product.
- Use all necessary personal protective equipment such as gloves and goggles.

Failure to follow these instructions can result in death or serious injury.



End of Life Instructions



Recommendation	Number on drawing	Component / Material	Weight (in g)	Comment
To be depolluted	1	Electronic Board (Power) > 10cm ²	6,3	
To be dismantled	2	PPE+PS+PVC	17	

Product description

Manufacturer identification	Schneider Electric Industries SAS
Brand name	Schneider Electric
Product function	The TM5ACBM11 is the reference product for the Modicon TM5 System Bus Bases range The products are I/O configurations for automation solutions which extend the integrated TM5 data and electronic power buses as well as the 24V DC I/O power segment.
Product reference	TM5ACBM11
Additional similar product references	TM5ACBM11 TM5ACBM1110 TM5ACBM1510 TM5ACBM12 TM5ACBM05R10 TM5ACBM1210 TM5ACBM01R TM5ACBM15 TM5ACBM01R10 TM5ACBM05R TM5ACBN1 TM5ACBM3FS TM5ACBM4FS
Total representative product mass	23,36 g
Representative product dimensions	17 mm x 54 mm x107 mm
Accessories	No
Date of information release	17/12/2025

Additional information

Legal information	This product family is in the scope of European Union directive 2012/19/EU on Waste Electrical and Electronic Equipment (WEEE). The product family must be disposed according to the legislation of the country. This document is intended for use by end of life recyclers or treatment facilities. It provides the basic information to assure an appropriate end of life treatment for the components and materials of the product.
In case of special transportation: transportation method	No special transportation
Recyclability potential	0% The recyclability rate was calculated from the recycling rates of each material making up the product based on REEECY'LAB tool developed by Ecosystem, for components/materials not covered by the tool, data from the EIME database and the related PSR was taken. If no data was found a conservative assumption was used (0% recyclability).

Schneider Electric Industries SAS

Country Customer Care Center
<http://www.se.com/contact>

35, rue Joseph Monier
 CS 30323
 F- 92500 Rueil Malmaison Cedex
 RCS Nanterre 954 503 439
 Capital social 928 298 512 €

www.se.com

ENVEOL1511023_V2

Published by Schneider Electric

© 2023 - Schneider Electric – All rights reserved

17/12/2025