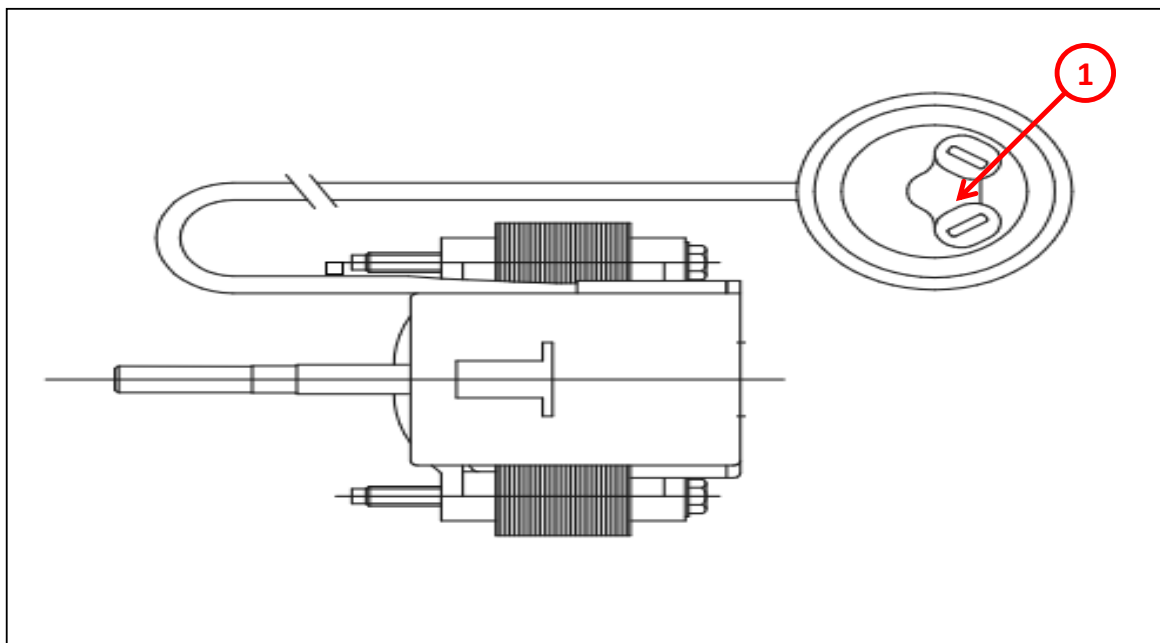


Product End of Life Instructions

FAN CEILING EXHAUST 250MM



End of Life Instructions



Recommendation	Number on drawing	Component / Material	Weight (in g)	Comment
To be depolluted	1	Plug	126.1	

Product description

Manufacturer identification	Schneider Electric Industries SAS
Brand name	Clipsal
Product function	The main purpose of the Clipsal Ceiling Exhaust Fan, Axial, 250mm is designed to fit discreetly into cavity type ceilings.
Product reference	CE250
Total representative product mass	3298.82 g
Representative product dimensions	320mm x 320mm x 90mm
Accessories	No
Date of information release	11/2020

Additional information

Legal information	This product family is in the scope of European Union directive 2012/19/EU on Waste Electrical and Electronic Equipment (WEEE). The product family must be disposed according to the legislation of the country. This document is intended for use by end of life recyclers or treatment facilities. It provides the basic information to assure an appropriate end of life treatment for the components and materials of the product.	
In case of special transportation: transportation method	No	
Recyclability potential	73%	Based on "ECO'DEEE recyclability and recoverability calculation method" (version V1, 20 Sep. 2008 presented to the French Agency for Environment and Energy Management: ADEME).

Schneider Electric Industries SAS
Country Customer Care Center
<http://www.schneider-electric.com/contact>
35, rue Joseph Monier
CS 30323
F- 92506 Rueil Malmaison Cedex
RCS Nanterre 954 503 439
Capital social 896 313 776 €

www.schneider-electric.com

ENVEOLI1511017_V2

Published by Schneider Electric

© 2019 - Schneider Electric – All rights reserved

11/2020