

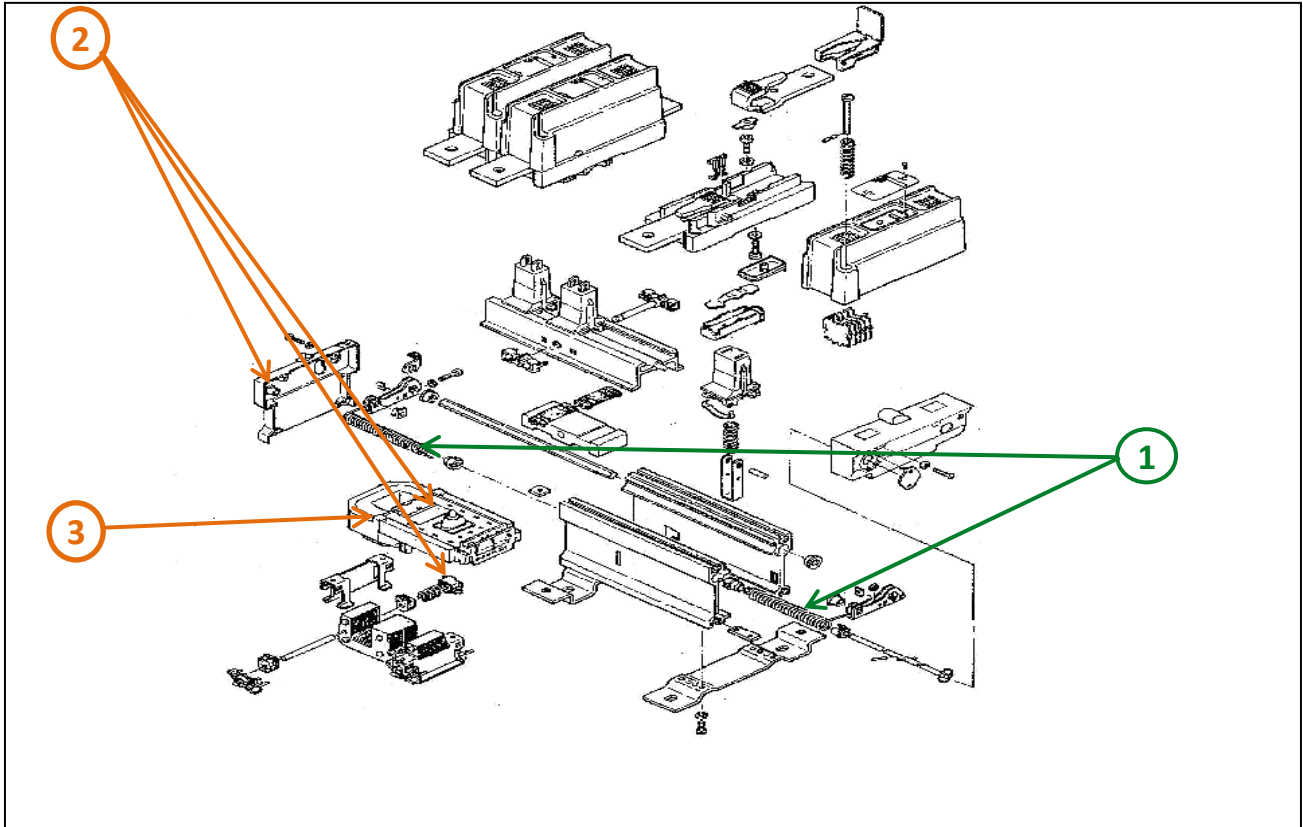
Product End of Life Instructions

TeSys F-Series Tripole Contactor, 630A, 220V, 50/60Hz

TeSys F



End of Life Instructions



Recommendation	Number on drawing	Component / Material	Weight (in g)	Comment
To be dismantled	1	Springs	156.4	
To be depolluted	2	Liquid and pasty substances	82.3	
To be depolluted	2	Electronic Board (Power) > 10cm ²	82.3	

Product description

Manufacturer identification	Schneider Electric Industries SAS
Brand name	Schneider Electric
Product function	The main purpose of the product is to switch on and off electrical power supply of a downstream installation with an electrical and/or mechanical control.
Product reference	LC1F630M7
Additional similar product references	The range product report includes :rated current:300A-800A,3P,TeSys F contactor,the representative product used for analysis is 3P 630A (product number: LC1F630M7)
Total representative product mass	17618 g
Representative product dimensions	304mm x 309mm x 255mm
Accessories	No
Date of information release	03-2024

Additional information

Legal information	This product family is in the scope of European Union directive 2012/19/EU on Waste Electrical and Electronic Equipment (WEEE). The product family must be disposed according to the legislation of the country. This document is intended for use by end of life recyclers or treatment facilities. It provides the basic information to assure an appropriate end of life treatment for the components and materials of the product.	
In case of special transportation: transportation method	No	
Recyclability potential	95%	Recyclability rate has been calculated based on REEECY'LAB tool developed by Ecosystem, for components/materials not covered by the tool, data from the "ECO' DEEE recyclability and recoverability calculation method" was taken. If no data was found a conservative assumption was used (0% recyclability).

Schneider Electric Industries SAS

Country Customer Care Center
<http://www.se.com/contact>

35, rue Joseph Monier
 CS 30323

F- 92500 Rueil Malmaison Cedex

RCS Nanterre 954 503 439
 Capital social 928 298 512 €

www.se.com

Published by Schneider Electric

ENVEOLI1505009_V3

© 2023 - Schneider Electric – All rights reserved

03-2024