

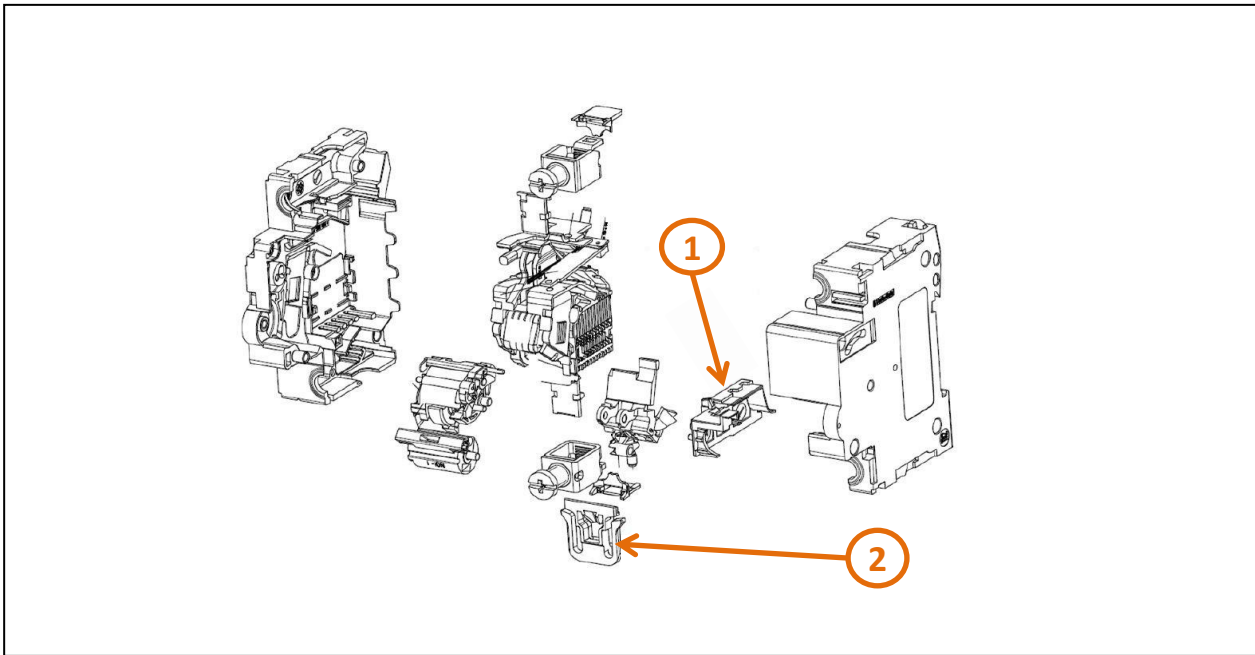
Product End of Life Instructions

Easy9 C120 Circuit breaker

Easy 9 MCBs



End of Life Instructions



Recommendation	Number on drawing	Component / Material	Weight (in g)	Comment
To be depolluted	①	Plastic parts with brominated FR	2.15	PA66 GF25 FR(17)
To be depolluted	②	Plastic parts with brominated FR	1.91	PA66 GF25 FR(17)

Product description

Manufacturer identification	Schneider Electric Industries SAS
Brand name	Schneider Electric
Product function	provide overload protection and short circuit protection in low voltage power system.
Product reference	EA9AH1C80NEW
Additional similar product references	EA9AH1C100NEW EA9AH1C125NEW EA9AH1C63NEW EA9AH1C80NEW EA9AH1D100NEW EA9AH1D125NEW EA9AH1D80NEW EA9AH2C100NEW EA9AH2C125NEW EA9AH2C63NEW EA9AH2C80NEW EA9AH2D100NEW EA9AH2D125NEW EA9AH2D63NEW EA9AH2D80NEW EA9AH3C100NEW EA9AH3C125NEW EA9AH3C63NEW EA9AH3C80NEW EA9AH3D100NEW EA9AH3D125NEW EA9AH3D63NEW EA9AH3D80NEW EA9AH4C100NEW EA9AH4C125NEW EA9AH4C63NEW EA9AH4C80NEW EA9AH4D100NEW EA9AH4D125NEW EA9AH4D63NEW EA9AH4D80NEW
Total representative product mass	205 g
Representative product dimensions	73mmx27mmx81mm
Accessories	No
Date of information release	11-2025

Additional information

Legal information	This product family is in the scope of European Union directive 2012/19/EU on Waste Electrical and Electronic Equipment (WEEE). The product family must be disposed according to the legislation of the country. This document is intended for use by end of life recyclers or treatment facilities. It provides the basic information to assure an appropriate end of life treatment for the components and materials of the product.
In case of special transportation: transportation method	No
Recyclability potential	60% The recyclability rate was calculated from the recycling rates of each material making up the product based on REEECY'LAB tool developed by Ecosystem, for components/materials not covered by the tool, data from the EIME database and the related PSR was taken. If no data was found a conservative assumption was used (0% recyclability).

Schneider Electric Industries SAS
Country Customer Care Center
<http://www.se.com/contact>
35, rue Joseph Monier
CS 30323
F- 92500 Rueil Malmaison Cedex
RCS Nanterre 954 503 439
Capital social 928 298 512 €

www.se.com

ENVEOLI1503005_V3

Published by Schneider Electric

© 2023 - Schneider Electric – All rights reserved

11-2025