

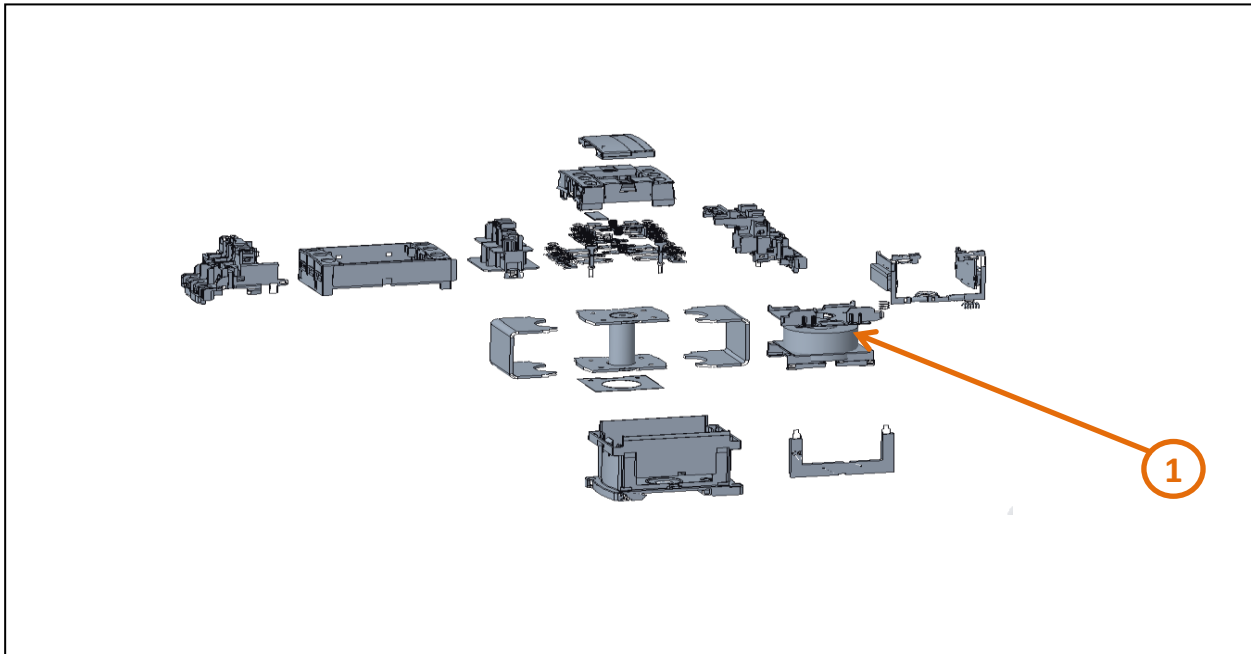
# Product End of Life Instructions

**TeSys Deca contactor, 3P(3NO) 9A, 230V AC COIL**

## TeSys Deca Contactors



## End of Life Instructions



Recommendation	Number on drawing	Component / Material	Weight (in g)	Comment
To be depolluted	1	plastic parts with brominated flame retardants	11.66	plastic parts with brominated flame retardants

## Product description

Manufacturer identification	Schneider Electric Industries SAS
Brand name	Schneider Electric
Product function	The main purpose of the product is to switch on and off electrical power supply of a downstream installation with an electrical and/or mechanical control.
Product reference	LC1D09P7
Additional similar product references	LC1D/LC2D 09, 12, 18, 093, 123, 096, 126, 128,186, 099, 129,1283,1286 LC1DT/LC2DT 20, 25, 32,203, 253, 206, 256 LC1D/LC2D 098, 128, 0983, 1283 LC1D/LC2D 188, 1883 LC3D 09, 12, 18 DPE 09,12,18 CAD 32,50,323,326
Total representative product mass	320 g
Representative product dimensions	50mm x 112mm x 92mm
Accessories	No
Date of information release	17/03/2026

## Additional information

<b>Legal information</b>	This product family is in the scope of European Union directive 2012/19/EU on Waste Electrical and Electronic Equipment (WEEE). The product family must be disposed according to the legislation of the country. This document is intended for use by end of life recyclers or treatment facilities. It provides the basic information to assure an appropriate end of life treatment for the components and materials of the product.
<b>In case of special transportation: transportation method</b>	No
<b>Recyclability potential</b>	<b>64%</b> The recyclability rate was calculated from the recycling rates of each material making up the product based on REEECYLAB tool developed by Ecosystem, for components/materials not covered by the tool, data from the EIME database and the related PSR was taken. If no data was found a conservative assumption was used (0% recyclability).

Schneider Electric Industries SAS  
 Country Customer Care Center  
<http://www.se.com/contact>  
 35, rue Joseph Monier  
 CS 30323  
 F- 92500 Rueil Malmaison Cedex  
 RCS Nanterre 954 503 439  
 Capital social 928 298 512 €

[www.se.com](http://www.se.com)

ENVEOLI1501004\_V7

Published by Schneider Electric

© 2023 - Schneider Electric – All rights reserved

17/03/2026