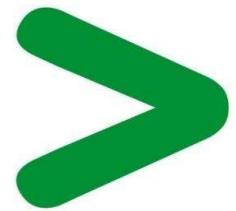


Product End of Life Instructions

Lexium ILS Stepper Mot 24 36V CANopen

Integrated drives ILS with stepper motors



Potential disassembly risks

The information provided in this document assumes that the product is completely de-energized and uninstalled (refer to the instructions provided in the appropriate product manuals).

Dismantling/disassembling the product may entail hazards caused by, for example, sharp edges, chemical aggression or ejected parts.

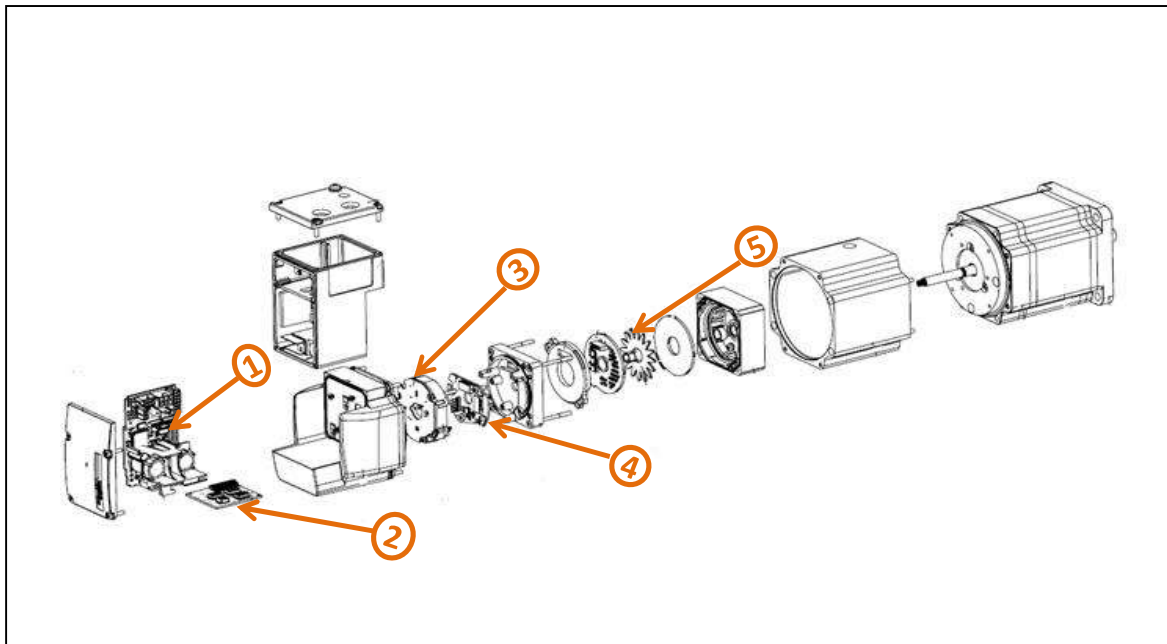
WARNING

HAZARD DUE TO INSUFFICIENT PROTECTION

- Implement all safety measures required by the applicable regulations and by the processes used to dismantle/disassemble and dispose of the product.
- Use all necessary personal protective equipment such as gloves and goggles.

Failure to follow these instructions can result in death or serious injury.

End of Life Instructions



Recommendation	Number on drawing	Component / Material	Weight (in g)	Comment
To be depolluted	1	Electronic Board (Power) > 10cm ²	66.80	
To be depolluted	2	Electronic Board (Power) > 10cm ²	9.20	
To be depolluted	3	Electronic Board (Power) > 10cm ²	11.20	
To be depolluted	4	Electronic Board (Power) > 10cm ²	7.08	
To be depolluted	5	Electronic Board (Power) > 10cm ²	2.84	
Other			2502.88	Except for the above parts

Product description

Manufacturer identification	Schneider Electric Industries SAS
Brand name	Schneider Electric
Product function	This is an integrated drive with a stepper motor, without gearbox, without holding brake. The feedback is given by an index pulse. Its nominal speed is 100rpm at 24VDC, 200rpm at 36VDC. Its nominal torque is 4.0Nm. It embeds 4 signals which can be used as input or output.
Product reference	ILS1F852PB1A0
Total representative product mass	2.6 kg
Representative product dimensions	66 mm x 119,6 mm x 217,3 mm
Accessories	No
Date of information release	24/03/2026

Additional information

Legal information	This product family is in the scope of European Union directive 2012/19/EU on Waste Electrical and Electronic Equipment (WEEE). The product family must be disposed according to the legislation of the country. This document is intended for use by end of life recyclers or treatment facilities. It provides the basic information to assure an appropriate end of life treatment for the components and materials of the product.
Recyclability potential	85% The recyclability rate was calculated from the recycling rates of each material making up the product based on REEECYLAB tool developed by Ecosystem, for components/materials not covered by the tool, data from the EIME database and the related PSR was taken. If no data was found a conservative assumption was used (0% recyclability).

Schneider Electric Industries SAS
Country Customer Care Center
<http://www.se.com/contact>
35, rue Joseph Monier
CS 30323
F- 92500 Rueil Malmaison Cedex
RCS Nanterre 954 503 439
Capital social 928 298 512 €

www.se.com

ENVEOLI1411002_V3

Published by Schneider Electric

© 2023 - Schneider Electric – All rights reserved

03/2026