

Product End-of-Life Instructions

Product Range: PowerPact R-Frame Molded Case Circuit Breaker with Micrologic™ Trip Unit

Marketing Model/Name: The End of Life Instruction (EoLI) covers the entire range:

- *Current rating from 600A to 3000A*
- *2, 3 or 4 poles*
- *Fixed or I-line circuit breaker*
- *Fitted with the Micrologic Trip Unit*

Purpose:

The product family must be disposed according to the legislation of the country. This document is intended for use by end of life recyclers or treatment facilities. It provides the basic information to assure an appropriate end of life treatment for the components and materials of the product.



Dimensions in inches (mm)

3P: 15 x 16.5 x 14.4 in. (381 x 420 x 366 mm)

4P: 30 x 25.5 x 7 in. (762 x 648 x 178 mm)

Weight in lbs (g):

Between 69 lbs (29.0 kg) and 85 lbs (38.5 kg) with battery

Operations recommended for the end of life treatment

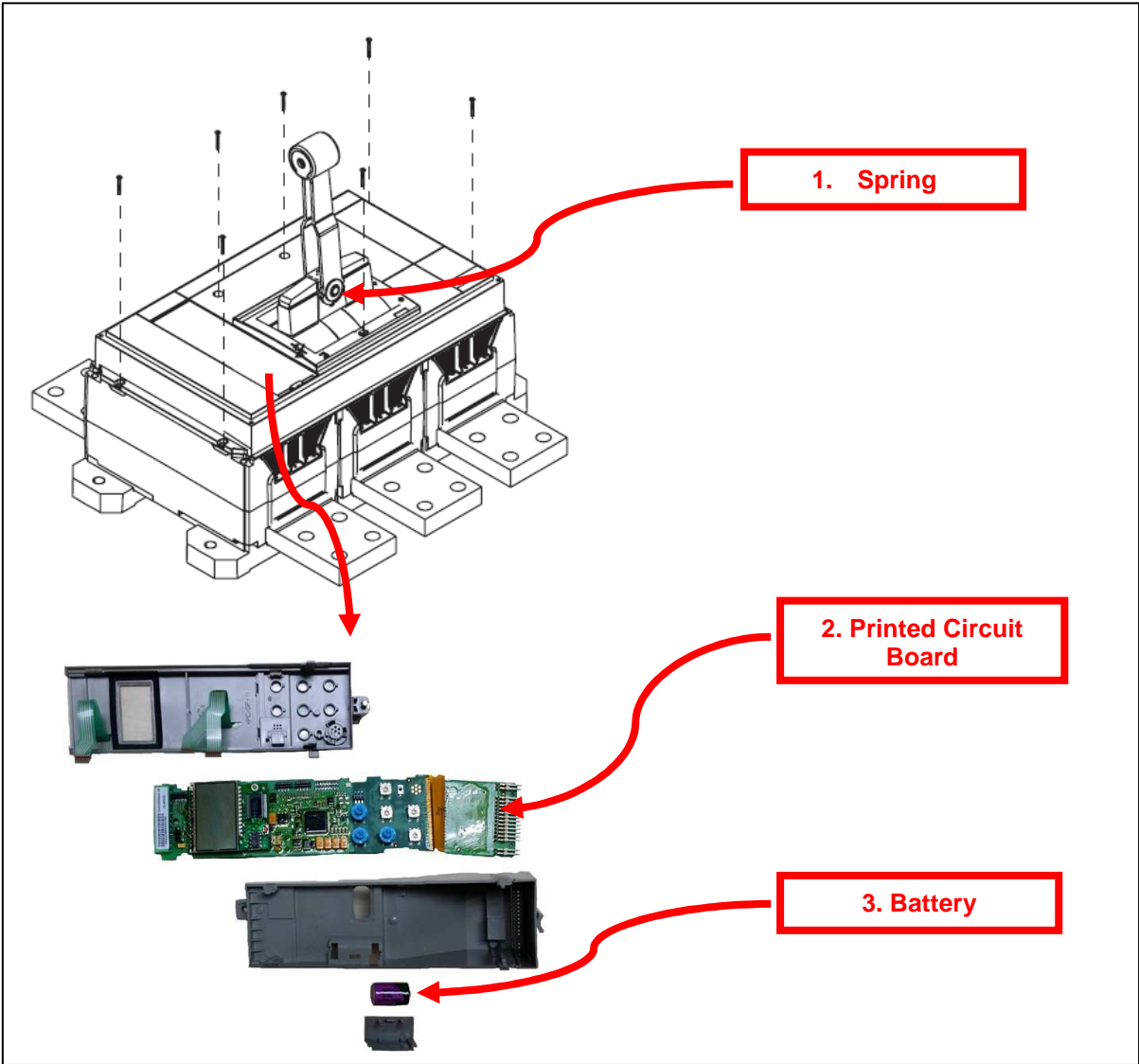
There are several steps to process the products at the end of life so as to recover components, materials or energy :
Reuse → Separation for special treatment → Other dismantling → Shredding.

⚠ DANGER
HAZARD OF ELECTRIC SHOCK, EXPLOSION OR ARC FLASH
<ul style="list-style-type: none"> • Apply appropriate personal protective equipment (PPE) and follow safe electrical work practices. See NFPA 70E or CSA Z462. • This equipment must only be installed and serviced by qualified electrical personnel. • Turn off all power supplying this equipment before working on or inside equipment. • Always use a properly rated voltage sensing device to confirm power is off. • Replace all devices, doors and covers before turning on power to this equipment.
Failure to follow these instructions will result in death or serious injury.

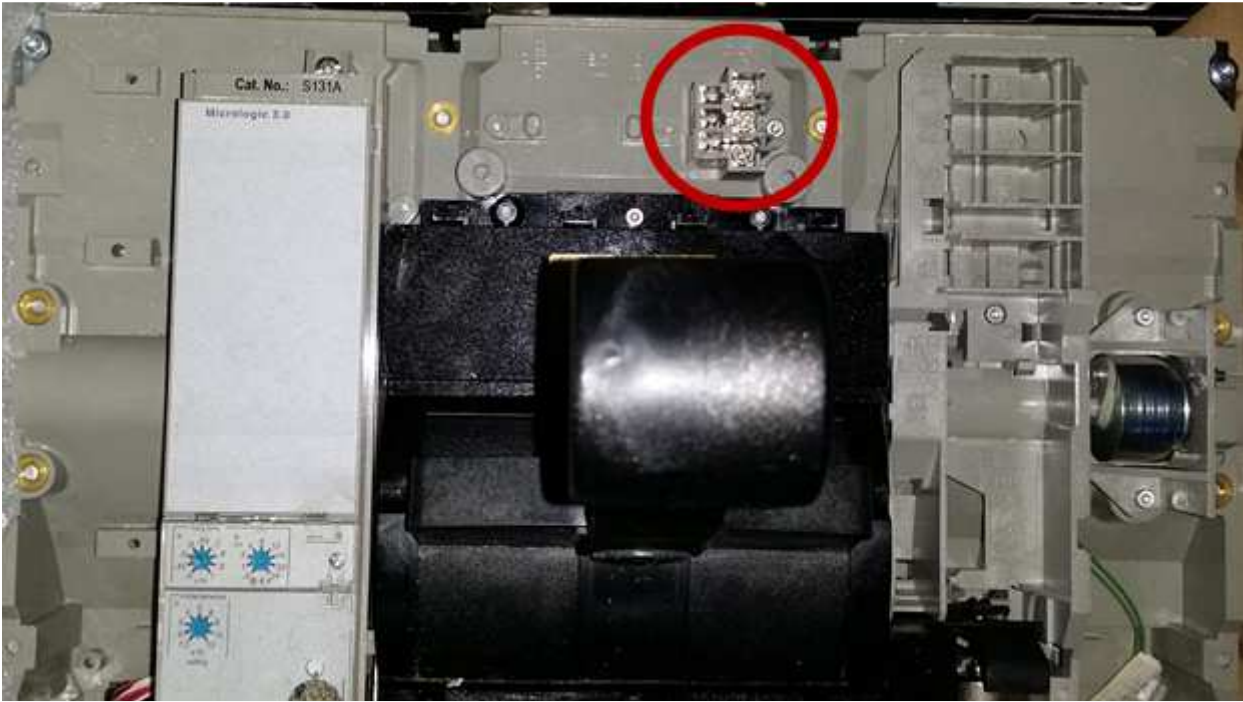
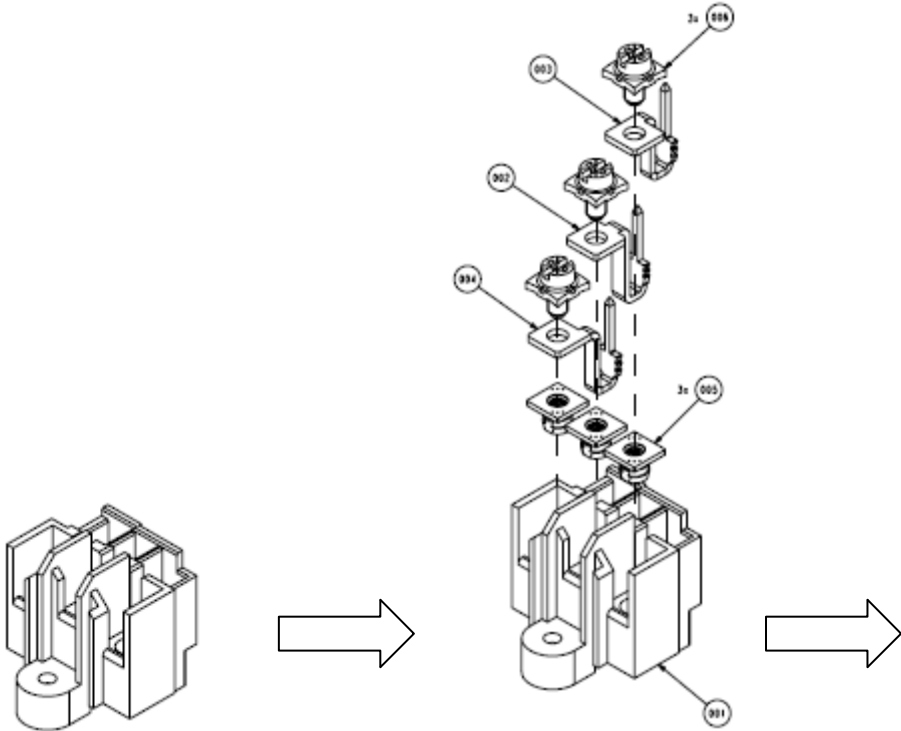
⚠ CAUTION
HAZARD OF PERSONAL INJURY
The circuit breaker must be tripped to dissipate stored mechanical energy before recycling, crushing or disassembly of the circuit breaker.
Failure to follow these instructions can result in personal injury.

The components of the products that optimize the recycling performances are listed, identified and located hereunder.

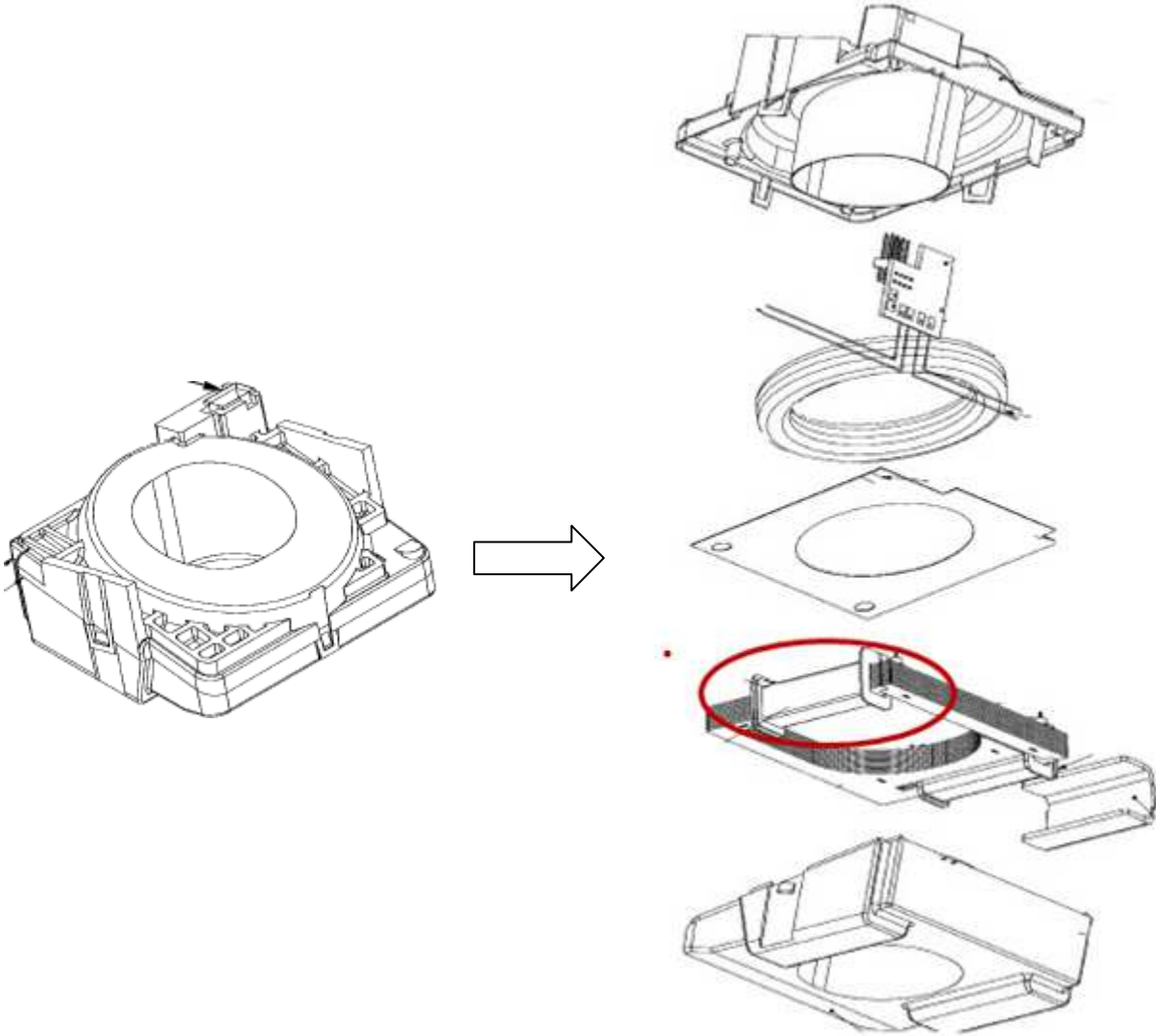
Recommendation	Number on drawing	Components	Total Weight (g)	Comment
Operating hazards	1	Spring		
Special treatment	2	Printed Circuit Board	208	Quantity 2
	3	Battery	10	Quantity 1
	4	Housing Terminal Block – plastic part with brominated flame retardants	7.45	Quantity 1
	5	Coil Frame - plastic part with brominated flame retardants	15.56	Quantity 6
	6	Switch Extension - plastic part with brominated flame retardants	2.62	Quantity 5



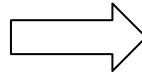
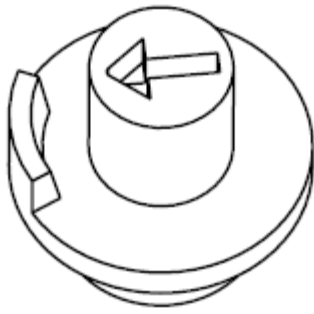
4 - Housing Terminal Block - plastic parts with brominated flame retardants



5 - Coil Frame - plastic parts with brominated flame retardants



6 - Switch extension - plastic parts with brominated flame retardants



Schneider Electric Industries SAS

35, rue Joseph Monier
CS 30323
F- 92506 Rueil Malmaison Cedex
RCS Nanterre 954 503 439
Capital social 896 313 776 €

www.schneider-electric.com

Schneider Electric SA

1415 S. Roselle Road
Palatine, IL 60067 USA
1-888-788-2733

© 2013 Schneider Electric All Rights Reserved

Schneider Electric and Square D are trademarks owned by Schneider Electric Industries SAS or its affiliated companies. All other trademarks are the property of their respective owners.

The version of the Guide used to create the document: End of Life Instruction Drafting Guide of Schneider Electric version 4.

ENVEOLI1407013EN

Publication date : 09/30/2014