

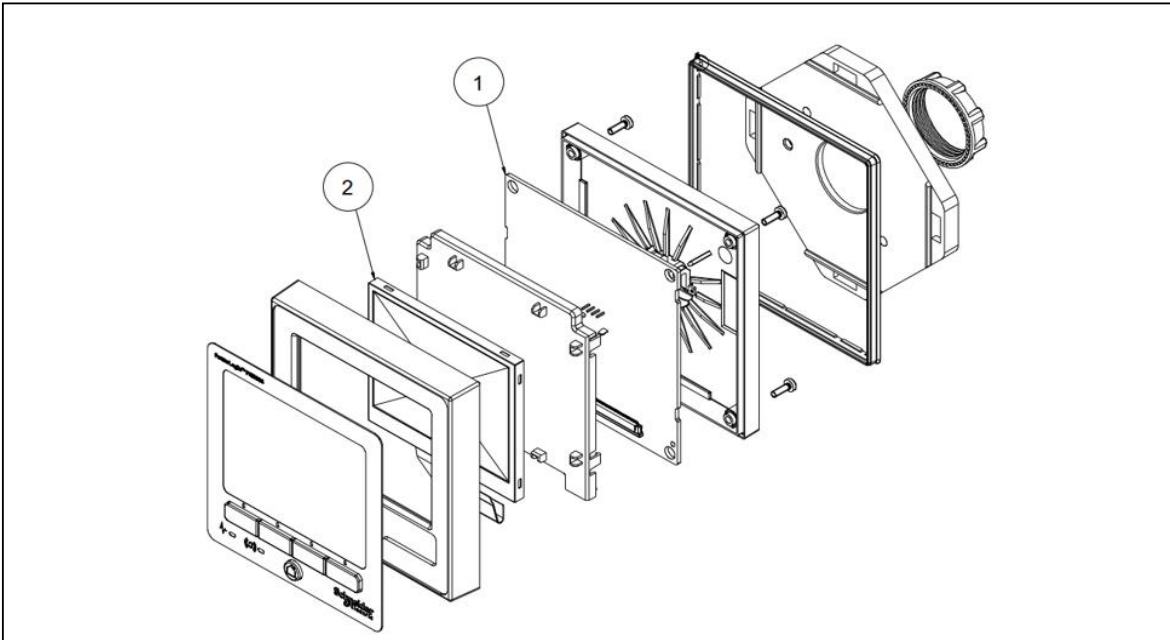
Product End of Life Instructions

PowerLogic PM89RD96 Remote Display





End of Life Instructions



Recommendation	Number on drawing	Component / Material	Weight (in g)	Comment
To be depolluted	1	PCBA	146.9638	
To be depolluted	2	LCD Display	41	

Product description

Manufacturer identification	Schneider Electric Industries SAS
Brand name	Schneider Electric
Product function	The METSEPM89RD96 is a remote display unit designed for the PowerLogic PM8000 and ION7400 series, featuring a color graphical LCD with a push-button interface, a 3-meter cable, and mounting accessories. It provides a user-friendly interface for monitoring power quality and energy consumption, displaying information such as power, energy consumption, harmonics, frequency, voltage, current, alarms, and input/output status. The unit includes a color TFT LCD with a resolution of 320 x 240 pixels, 5 push-buttons for navigation, status and alarm LEDs, and is flush-mounted with an IP54 rating for ingress protection. It operates within a temperature range of -25 to 60°C, can be stored at temperatures from -40 to 85°C, supports relative humidity from 5 to 95%, and functions at altitudes up to 3000 meters, enhancing the functionality of PowerLogic meters by providing clear and accessible monitoring of critical power and energy parameters.
Product reference	METSEPM89RD96
Total representative product mass	300 g
Representative product dimensions	W 96mm x H 96mm x D 27mm
Date of information release	11-2025

Additional information

Legal information	This product family is in the scope of European Union directive 2012/19/EU on Waste Electrical and Electronic Equipment (WEEE). The product family must be disposed according to the legislation of the country. This document is intended for use by end of life recyclers or treatment facilities. It provides the basic information to assure an appropriate end of life treatment for the components and materials of the product.
Recyclability potential	10% The recyclability rate was calculated from the recycling rates of each material making up the product based on REEECY'LAB tool developed by Ecosystem, for components/materials not covered by the tool, data from the EIME database and the related PSR was taken. If no data was found a conservative assumption was used (0% recyclability).

Schneider Electric Industries SAS
Country Customer Care Center
<http://www.se.com/contact>
35, rue Joseph Monier
CS 30323
F- 92500 Rueil Malmaison Cedex
RCS Nanterre 954 503 439
Capital social 928 298 512 €

www.se.com

ENVEOLI1406040_V2

Published by Schneider Electric

© 2023 - Schneider Electric – All rights reserved

11-2025