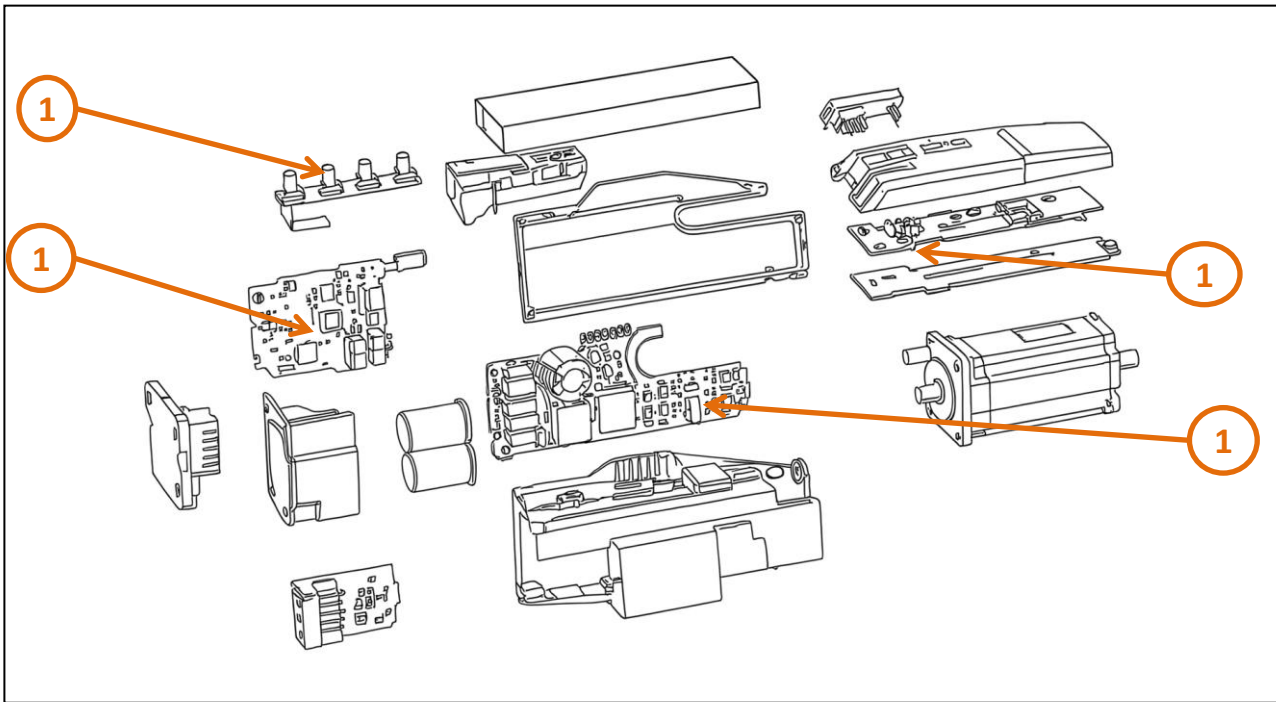


# Product End of Life Instructions

## Lexium Integrated Drive Lexium32i



## 🔧 End of Life Instructions



Recommendation	Number on drawing	Component / Material	Weight (in g)	Comment
To be depolluted	1	Electronic Board (Power) > 10cm <sup>2</sup>	441,7	PCBAs
Other			5686,3	

## Product description

<b>Manufacturer identification</b>	Schneider Electric Industries SAS
<b>Brand name</b>	Schneider Electric
<b>Product function</b>	The Lexium32i integrated drive controls servo motor speed, torque, and precise positioning within a compact unit for high-performance motion applications.
<b>Product reference</b>	BMI0703T06A
<b>Additional similar product references</b>	BMI0703T06A BMI0702P01A BMI0702P01F BMI0702P02A BMI0702P02F BMI0702P06A BMI0702P06F BMI0702P07A BMI0702P07F BMI0702P11A BMI0702P11F BMI0702P12A BMI0702P12F BMI0702P16A BMI0702P16F BMI0702P17A BMI0702P17F BMI0702P21A BMI0702P21F BMI0702P22A BMI0702P22F BMI0702P26A BMI0702P26F BMI0702P27A BMI0702P27F BMI0702P31A BMI0702P31F BMI0702P32A BMI0702P32F BMI0702P36A BMI0702P36F BMI0702P37A
<b>Total representative product mass</b>	6128 g
<b>Representative product dimensions</b>	178 x 99 x 388
<b>Accessories</b>	No
<b>Date of information release</b>	01/04/2026

## Additional information

Legal information	This product family is in the scope of European Union directive 2012/19/EU on Waste Electrical and Electronic Equipment (WEEE). The product family must be disposed according to the legislation of the country. This document is intended for use by end of life recyclers or treatment facilities. It provides the basic information to assure an appropriate end of life treatment for the components and materials of the product.
In case of special transportation: transportation method	No
Recyclability potential	<p><b>94%</b></p> <p>The recyclability rate was calculated from the recycling rates of each material making up the product based on REEECYLAB tool developed by Ecosystem, for components/materials not covered by the tool, data from the EIME database and the related PSR was taken. If no data was found a conservative assumption was used (0% recyclability).</p>

Schneider Electric Industries SAS

Country Customer Care Center  
<http://www.se.com/contact>

35, rue Joseph Monier  
 CS 30323  
 F- 92500 Rueil Malmaison Cedex  
 RCS Nanterre 954 503 439  
 Capital social 928 298 512 €

[www.se.com](http://www.se.com)

ENVEOLI1312017

Published by Schneider Electric

© 2023 - Schneider Electric – All rights reserved

04-2026