

# Product End-of-Life Instructions

**Product Range:** C-Bus Temperature sensor

**Marketing Model/Name:**  
5104DTSI

## **Purpose:**

The product family must be disposed according to the legislation of the country. This document is intended for use by end of life recyclers or treatment facilities. It provides the basic information to assure an appropriate end of life treatment for the components and materials of the product.

## **Note :**

This product family *is* in the scope of EU directive 2002/96/EC, Waste Electrical and Electronic Equipment (WEEE).



Size in mm:

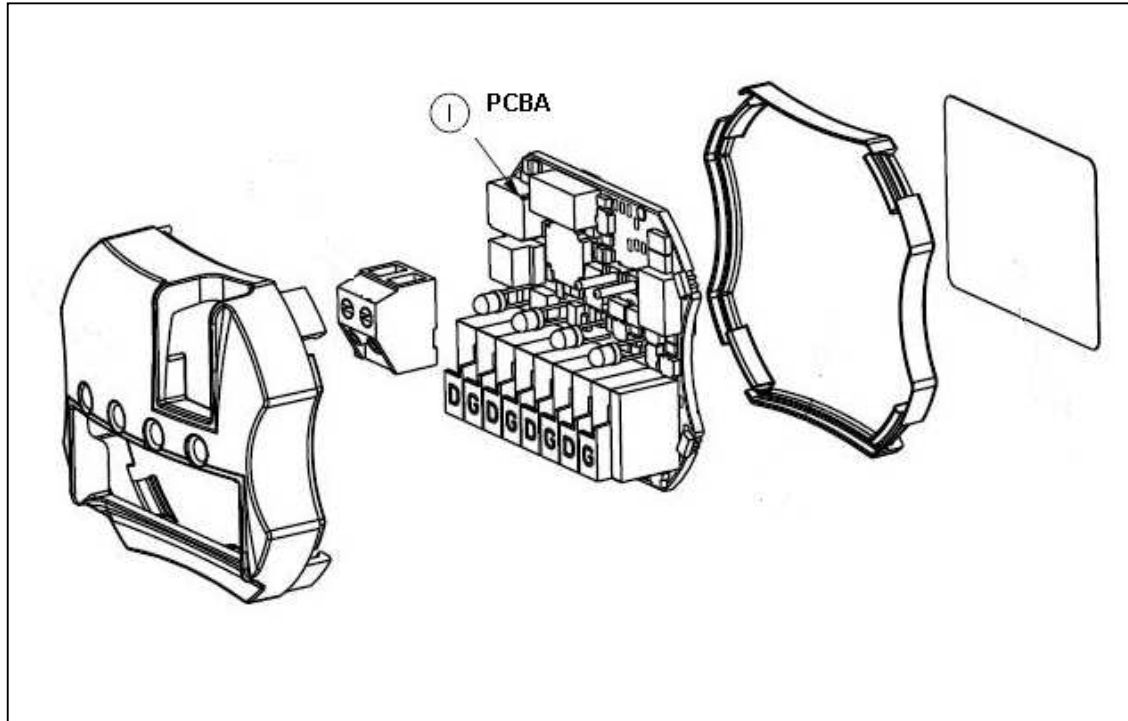
**H x L x D in mm: 55 x 49.6 x 18**

**Weight in g : 82.6 g**

## Operations recommended for the end of life treatment

There are several steps to process the products at the end of life so as to recover components, materials or energy :  
 Reuse → Separation for special treatment → Other dismantling → Shredding.

**The components of the products that optimize the recycling performances are listed, identified and located hereunder.**



Recommendation	Number on drawing	Components	Weight (g)	Comment
Special treatment --Depollution	1	PCBA FOR DIGITAL REMOTE TEMP SENSOR	19.98	Electric card

**Schneider Electric SA**  
 43-45, boulevard Franklin Roosevelt  
 F-92500 Rueil-Malmaison Cedex (France)  
 Tel.: +33 (0) 1 41 29 70 00  
 www.schneider-electric.com

The version of the Guide used to create the document: End of Life  
 Instruction Drafting Guide of Schneider Electric version V3

ENVEOLIxxxxxEN

Publication date : xx/xx/xxxx