

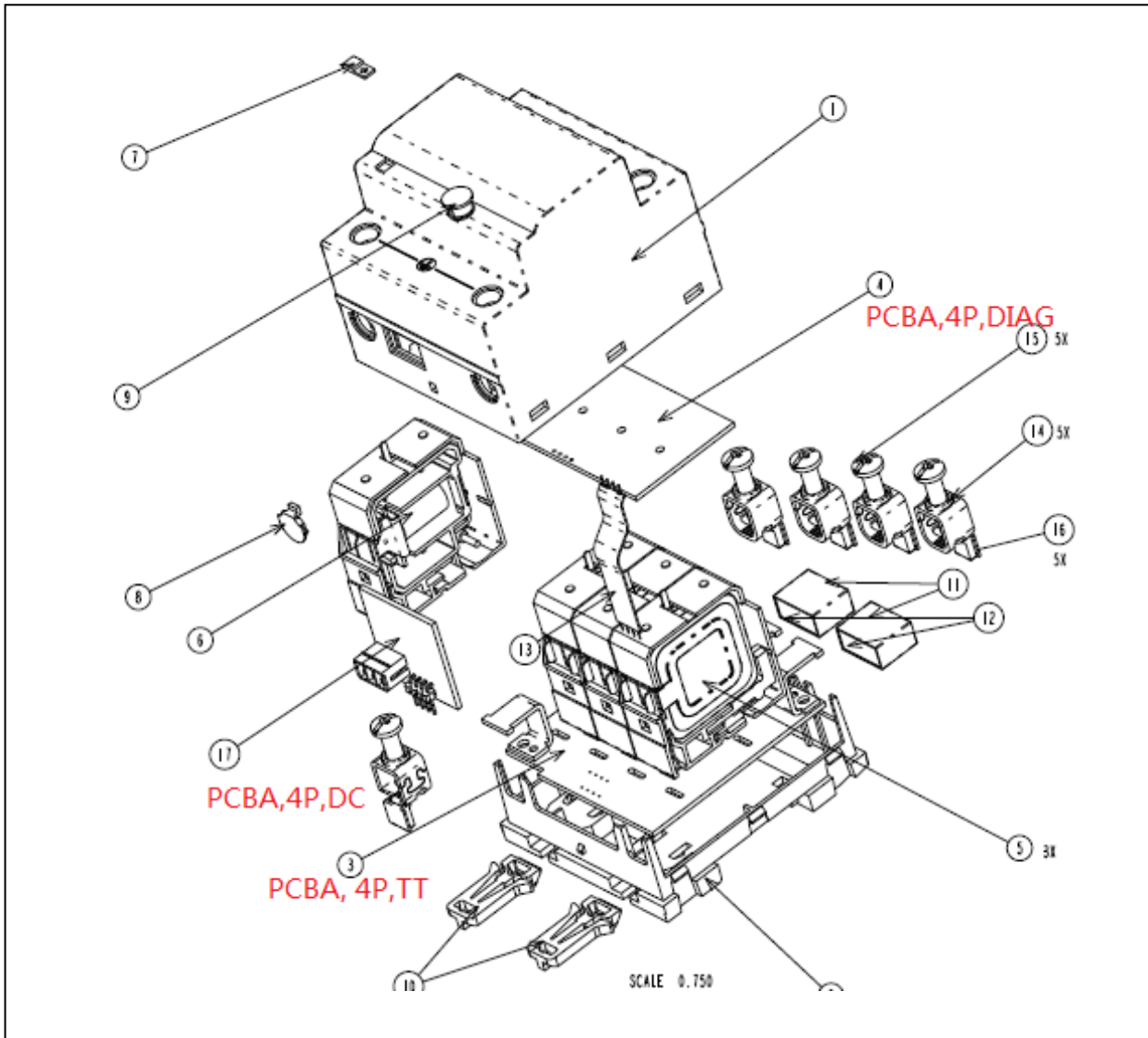
Product End of Life Instructions

iST 65r 3P+N



Schneider
Electric

End of Life Instructions



Recommendation	Number on drawing	Component / Material	Weight (in g)	Comment
To be depolluted	3	Electronic Board (Communication) > 10cm ²	4	PCB,3/4P,TT:44.2 cm ²
To be depolluted	4	Electronic Board (Communication) > 10cm ²	2.5	PCB,3/4P,DIAG:25.7cm ²
To be depolluted	17	Electronic Board (Communication) > 10cm ²	0.8	PCB,4P,DC:10.3cm ²



Product description

Manufacturer identification	Schneider Electric Industries SAS
Brand name	Schneider Electric
Product function	Protect electrical equipment against the direct or indirect effects of lightning or against transient overvoltage
Product reference	A9L916605
Additional similar product references	A9L916605
Total representative product mass	445.9 g
Representative product dimensions	85mm x 72mm x 70mm
Date of information release	06/2018



Additional information

Legal information	This product family is in the scope of European Union directive 2012/19/EU on Waste Electrical and Electronic Equipment (WEEE). The product family must be disposed according to the legislation of the country. This document is intended for use by end of life recyclers or treatment facilities. It provides the basic information to assure an appropriate end of life treatment for the components and materials of the product.	
Recyclability potential	26%	Based on "ECO'DEEE recyclability and recoverability calculation method" (version V1, 20 Sep. 2008 presented to the French Agency for Environment and Energy Management: ADEME).

Schneider Electric Industries SAS
Country Customer Care Center
<http://www.schneider-electric.com/contact>
35, rue Joseph Monier
CS 30323
F- 92506 Rueil Malmaison Cedex
RCS Nanterre 954 503 439
Capital social 896 313 776 €
www.schneider-electric.com
ENVEOLI1308014_V2

Published by Schneider Electric

© 2017 - Schneider Electric – All rights reserved

06/2018