

Product End-of-Life Instructions

Product Range: *Wiser Wall Display: EER22000*

Marketing Model/Name:

This range consists of:

- *EER22000*

Purpose:

The product family must be disposed according to the legislation of the country. This document is intended for use by end of life recyclers or treatment facilities. It provides the basic information to assure an appropriate end of life treatment for the components and materials of the product.

Note :

This product family is not in the scope of EU directive 2002/96/EC, Waste Electrical and Electronic Equipment (WEEE).



Size in mm :

H x L x D in mm: 80 x 105 x 46

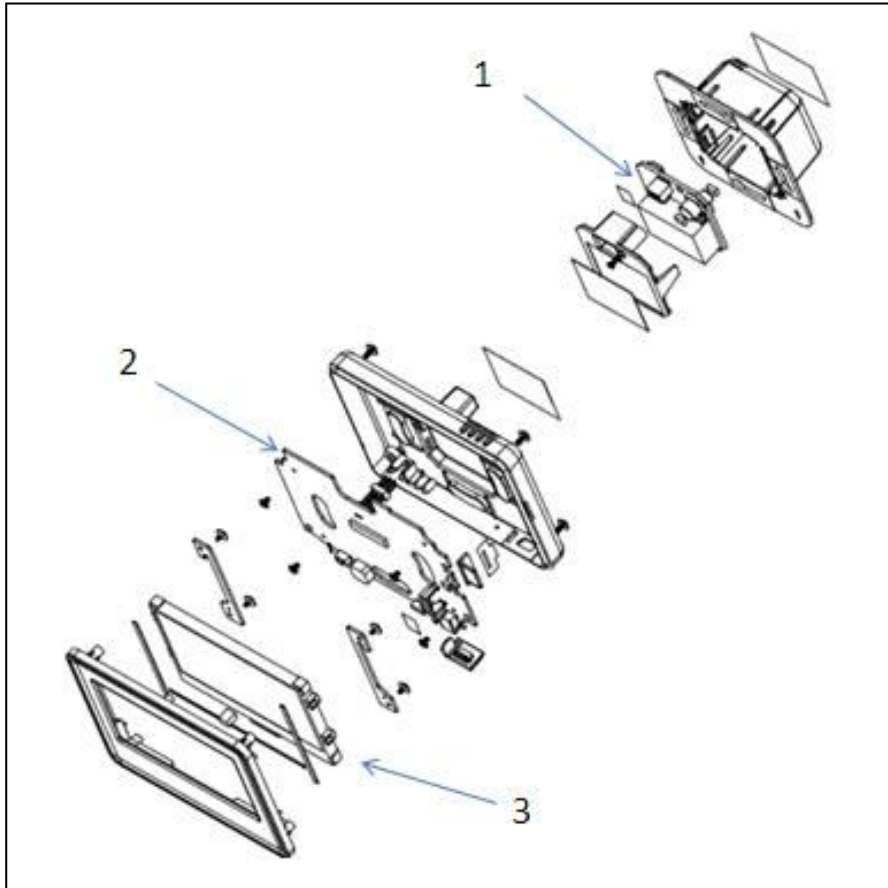
Weight in g:

260 g including packaging without battery

Operations recommended for the end of life treatment

There are several steps to process the products at the end of life so as to recover components, materials or energy : Reuse → Depollution (special treatment) → Dismantling → Shredding.

The components of the products that optimize the recycling performances are listed, identified and located hereunder.



Number on drawing	Components	Comment
Components listed for special treatment which improves the recycling performances		
1	Printed circuit boards	23 g Display PCBA
2	Printed circuit boards	24 g Power PCBA
3	LCD screen	42 g LCD screen

Schneider Electric SA
 43-45, boulevard Franklin Roosevelt
 F-92500 Rueil-Malmaison Cedex (France)
 Tel.: +33 (0) 1 41 29 70 00
 www.schneider-electric.com

The version of the Guide used to create the document: End of Life
 Instruction Drafting Guide of Schneider Electric version V2

ENVEOLI1304022_V1

Publication date : 21/05/2013