

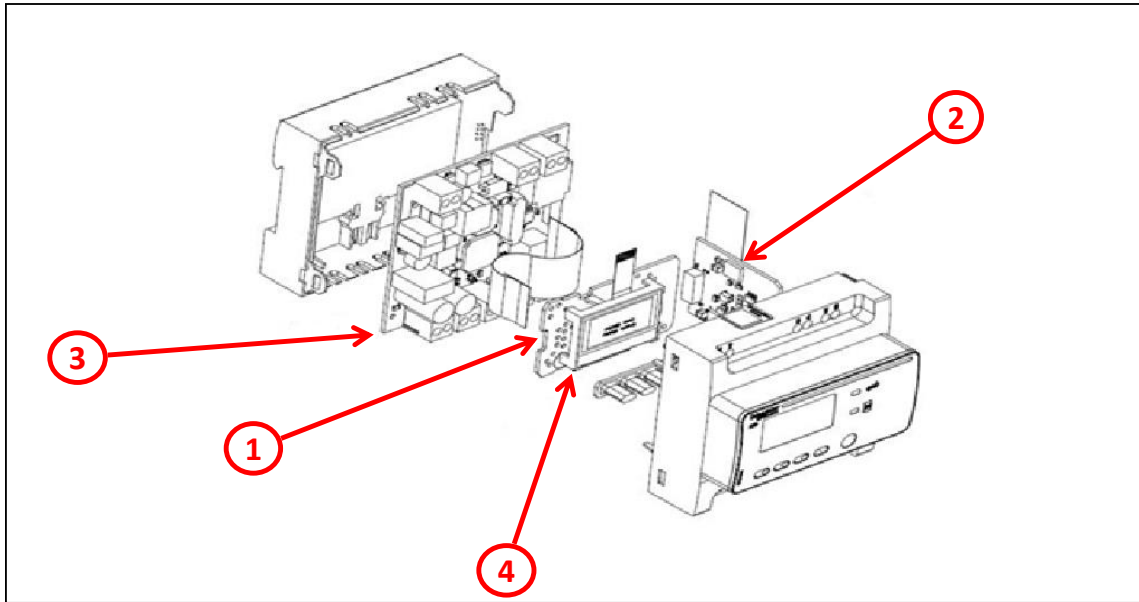
# Product End of Life Instructions

## Wiser EM5 kit





## End of Life Instructions



Recommendation	Number on drawing	Component / Material	Weight (in g)	Comment
To be depolluted	1	Electronic Board (Communication) > 10cm <sup>2</sup>	11	24.57cm <sup>2</sup>
To be depolluted	2	Electronic Board (Communication) > 10cm <sup>2</sup>	8	19cm <sup>2</sup>
To be depolluted	3	Electronic Board (Communication) > 10cm <sup>2</sup>	75	67.2cm <sup>2</sup>
To be depolluted	4	LCD screen	7	6.48cm <sup>2</sup>



## Product description

Manufacturer identification	Schneider Electric Industries SAS
Brand name	Schneider Electric
Product function	The main purpose of the Wiser EM5 Kit (Meter EER39000) is to show the consumption of a dwelling according to the 5 usages mentioned in the regulation (heating, sanitary hot water, cooling, sockets and others).
Product reference	EER39000
Additional similar product references	EER39000
Total representative product mass	315.5 g
Representative product dimensions	68mm x 90mm x 85mm
Accessories	No
Date of information release	09/2019



## Additional information

Legal information	This product family is in the scope of European Union directive 2012/19/EU on Waste Electrical and Electronic Equipment (WEEE). The product family must be disposed according to the legislation of the country. This document is intended for use by end of life recyclers or treatment facilities. It provides the basic information to assure an appropriate end of life treatment for the components and materials of the product.	
In case of special transportation: transportation method	No	
Recyclability potential	<b>62%</b>	Based on "ECO'DEEE recyclability and recoverability calculation method" (version V1, 20 Sep. 2008 presented to the French Agency for Environment and Energy Management: ADEME).

Schneider Electric Industries SAS  
 Country Customer Care Center  
<http://www.schneider-electric.com/contact>  
 35, rue Joseph Monier  
 CS 30323  
 F- 92506 Rueil Malmaison Cedex  
 RCS Nanterre 954 503 439  
 Capital social 896 313 776 €  
[www.schneider-electric.com](http://www.schneider-electric.com)

Published by Schneider Electric

ENVEOLI1304021\_V2

© 2017 - Schneider Electric – All rights reserved

09/2019