

Product End-of-Life Instructions

Product Range: Vivace India 2M Step Fan Controller

Marketing Model/Name:

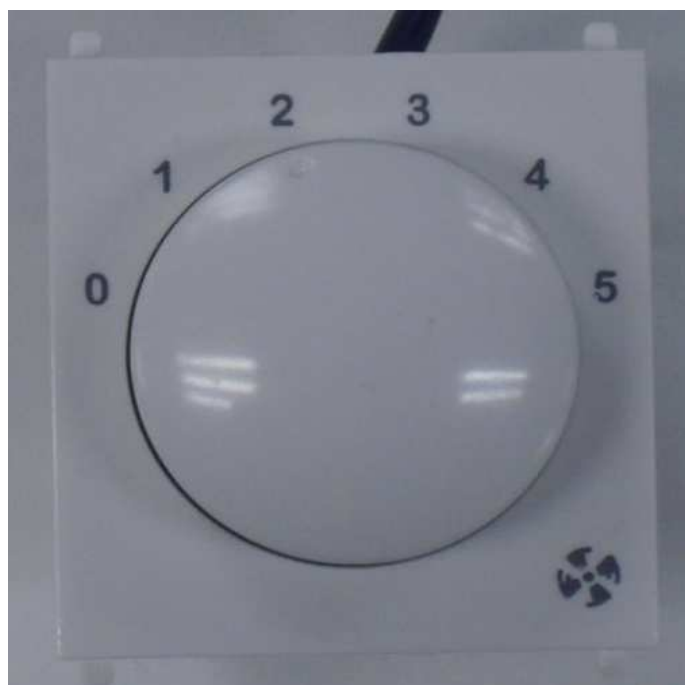
KB91312SFR

Purpose:

The product family must be disposed according to the legislation of the country. This document is intended for use by end of life recyclers or treatment facilities. It provides the basic information to assure an appropriate end of life treatment for the components and materials of the product.

Note :

This product family is in the scope of EU directive 2002/96/EC, Waste Electrical and Electronic Equipment (WEEE).



Size in mm

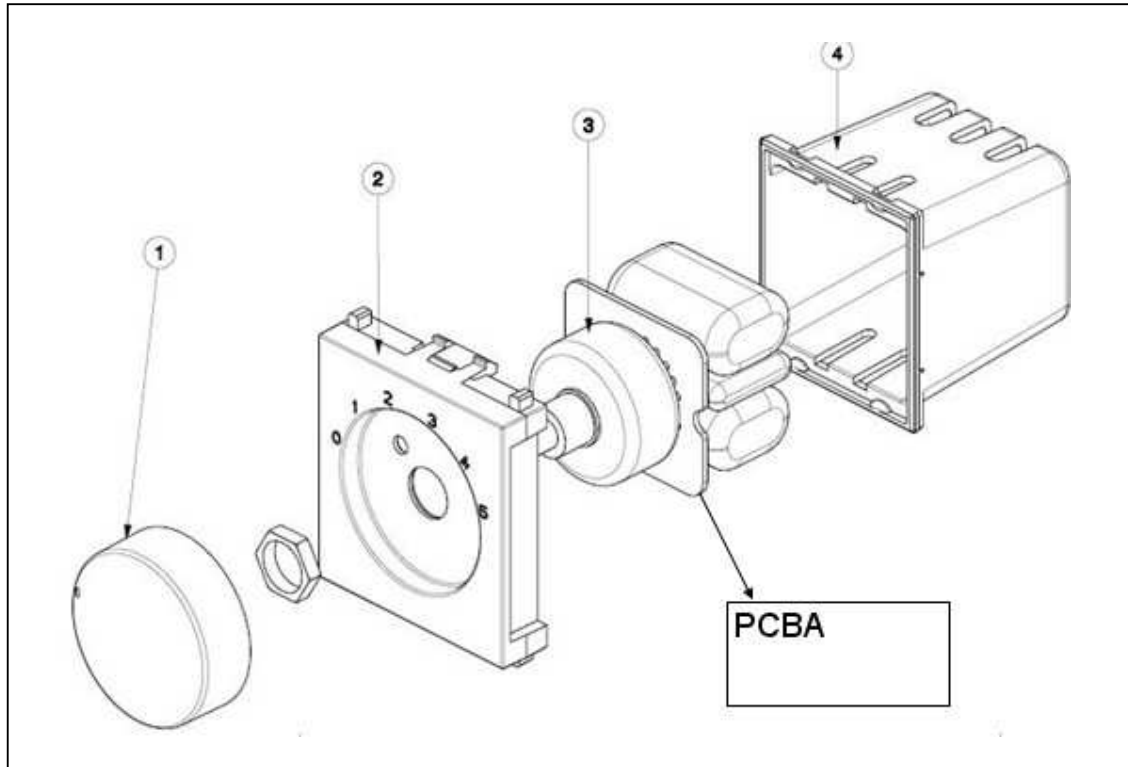
H x L x D in mm: 60mmx50mmx50mm

Weight in: 59g

Operations recommended for the end of life treatment

There are several steps to process the products at the end of life so as to recover components, materials or energy : Reuse → Separation for special treatment → Other dismantling → Shredding.

The components of the products that optimize the recycling performances are listed, identified and located hereunder.



Recommendation	Number on drawing	Components	Weight (g)	Comment
Dismantle	1, 2 and 4	Plastic enclosure	28.2	
Special treatment --Depollution	3	PCBA	31	Electric Card

The version of the Guide used to create the document: End of Life
Instruction Drafting Guide of Schneider Electric version V3

Schneider Electric Industries SAS

35, rue Joseph Monier
CS 30323
F- 92506 Rueil Malmaison Cedex
RCS Nanterre 954 503 439
Capital social 896 313 776 €

www.schneider-electric.com

ENVEOLI120808EN

Publication date : 10/2018