

Product End-of-Life Instructions

Product Range: ION 8600 and 8650 Socket Meter

Marketing Model/Name: (List of multiple models if applicable)

Applies to all meters with a commercial reference beginning with:

M8600A0, M8600A1, M8600A2, M8600B0, M8600B1, M8600B2, M8600C0, M8600C1, M8600C2, M8650A0, M8650A1, M8650B0, M8650B1, M8650C0, M8650C1, P8600A0, P8600A1, P8600A2, P8600B0, P8600B1, P8600B2, P8600C0, P8600C1, P8600C2, S8600A0, S8600A1, S8600A2, S8600B0, S8600B1, S8600B2, S8600C0, S8600C1, S8600C2, S8650A0, S8650A1, S8650B0, S8650B1, S8650C0, S8650C1

Purpose:

The product family must be disposed according to the legislation of the country. This document is intended for use by end of life recyclers or treatment facilities. It provides the basic information to assure an appropriate end of life treatment for the components and materials of the product.

Note :

This product family is in the scope of EU directive 2002/96/EC, Waste Electrical and Electronic Equipment (WEEE).



Size in mm:

H x L x D in mm: 240 x 175 x 175

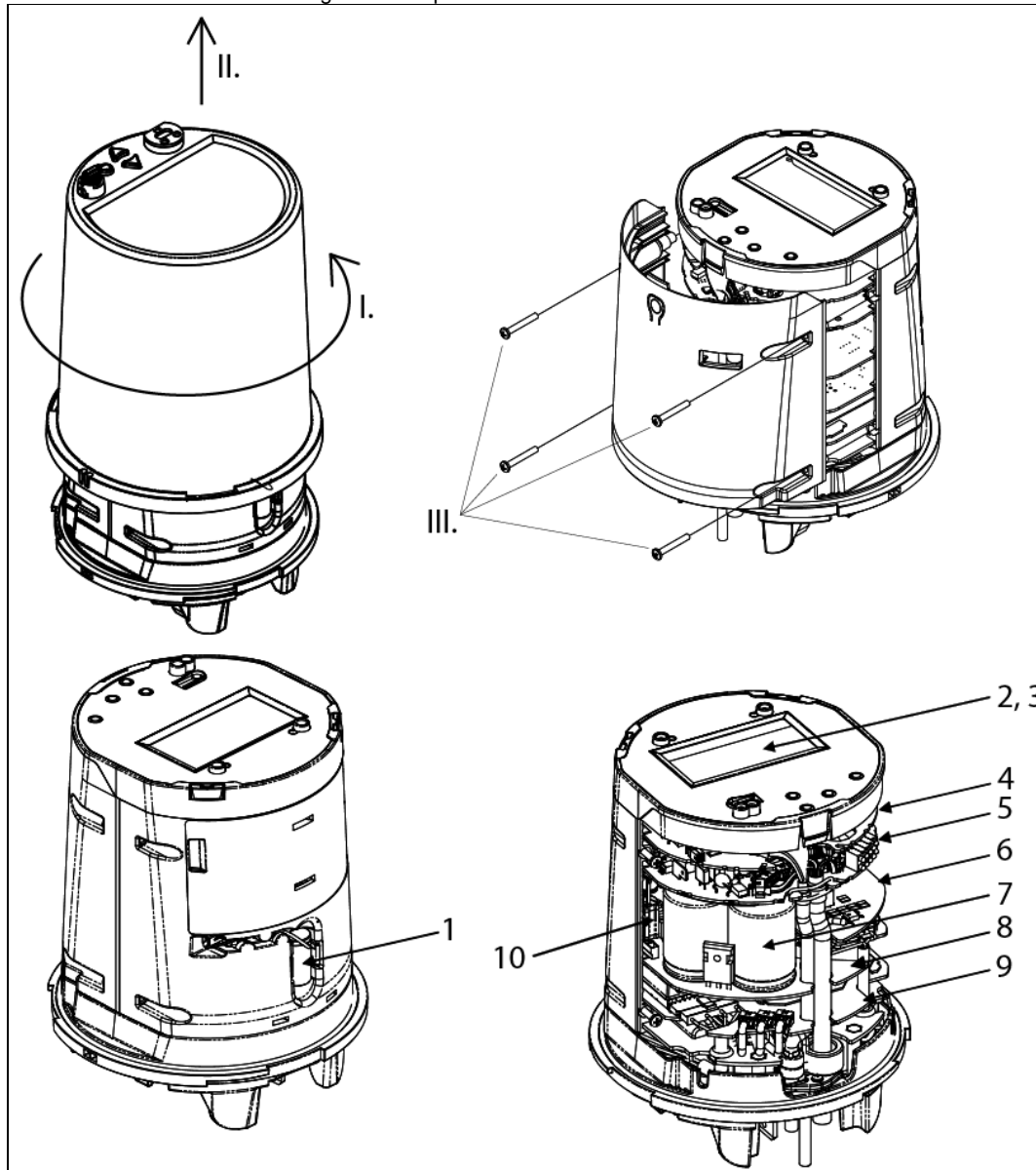
Weight in (kg): 2.6

Operations recommended for the end of life treatment

There are several steps to process the products at the end of life so as to recover components, materials or energy :
 Reuse → Separation for special treatment → Other dismantling → Shredding.

The components of the products that optimize the recycling performances are listed, identified and located hereunder.

The product contains capacitors which may cause an electrical shock. Before operating, remove all power and wait 15 minutes so as to discharge these capacitors.



Recommendation	Number on drawing	Components
Dismantling for Depollution	1	Battery
	2	LCD
	3	Display PCBA
	4	I/O PCBA
	5	Comms PCBA
	6	Power Supply Switcher PCBA
	7	Electrolytic Capacitor
	8	Power Supply Filter PCBA
	9	DSP PCBA

Schneider Electric SA
43-45, boulevard Franklin Roosevelt
F-92500 Rueil-Malmaison Cedex (France)
Tel.: +33 (0) 1 41 29 70 00
www.schneider-electric.com

The version of the Guide used to create the document: End of Life
Instruction Drafting Guide of Schneider Electric version V3

ENVEOL110703EN

Publication date : 25/10/2018