

# Product End-of-Life Instructions

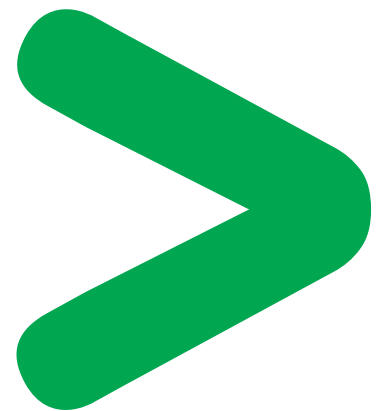
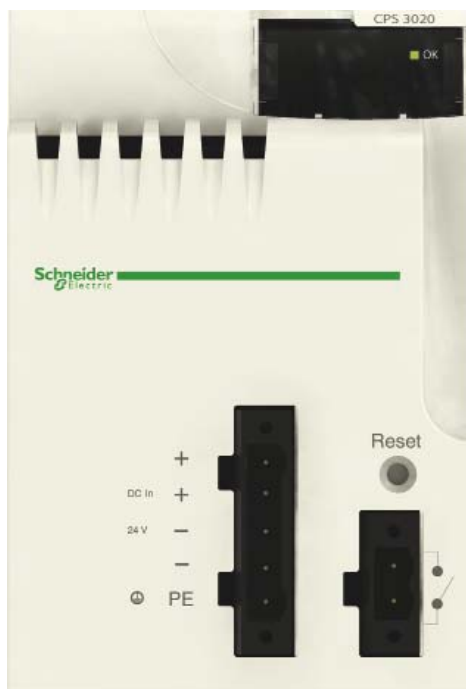
## M340 Power Supply

Product Range

M340 Power Supply

Marketing Model

BMXCPS3020



**Size in mm:**

H x L x D: 68 x 101 x 99

**Weight in kg (or g):**

Between 250 and 450 g



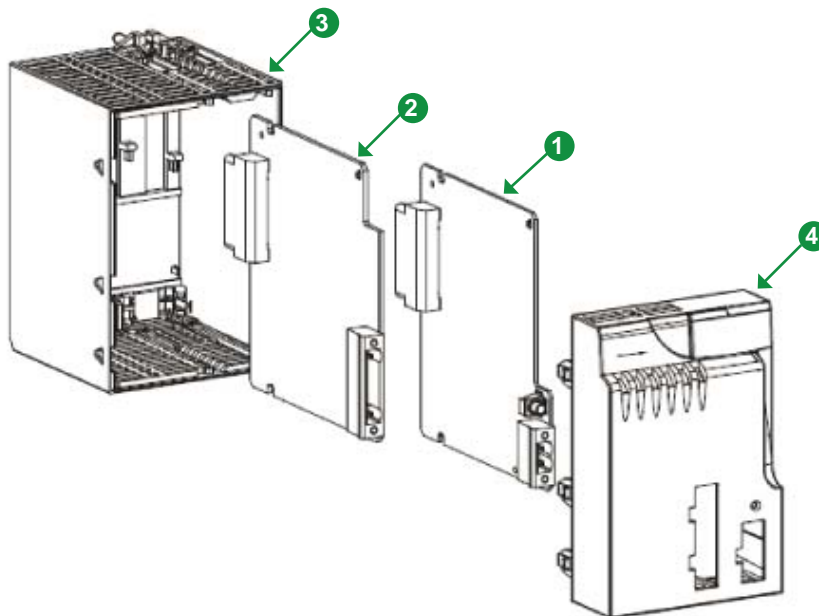
**Schneider**  
Electric

## Operations recommended for the end of life treatment

There are several steps to process the products at the end of life so as to recover components, materials or energy:

**Reuse** ⇒ **Separation for special treatment** ⇒ **Other dismantling** ⇒ **Shredding**

The components of the products that optimize the recycling performances are listed, identified and located hereunder.



Recommendation	Number on drawing	Components	Weight (g)	Comment
Special treatment	1 and 2	PCBA	150g	–
Other dismantling	3 and 4	Polycarbonate Plastic (PC)	90g	(Valorisation)

### Schneider Electric Industries SAS

35, rue Joseph Monier  
CS30323  
F - 92506 Rueil Malmaison Cedex

RCS Nanterre 954 503 439  
Capital social 896 313 776 €  
www.schneider-electric.com

The version of the Guide used to create the document: End of Life Instruction Drafting Guide of Schneider Electric version V0.

Publication: Schneider Electric