

Product End-of-Life Instructions

Product Range: *PM800 series family*

Marketing Model/Name: (List of multiple models if applicable)

PM810, PM810MG, PM810U, PM810UMG, PM810RD, PM810RDMG, PM820, PM820MG, PM820U, PM820UMG, PM820RD, PM820RDMG, PM850, PM850MG, PM850U, PM850UMG, PM850RD, PM850RDMG, PM870, PM870MG, PM870U, PM870UMG, PM870RD, PM870RDMG

Purpose:

The product family must be disposed according to the legislation of the country. This document is intended for use by end of life recyclers or treatment facilities. It provides the basic information to assure an appropriate end of life treatment for the components and materials of the product.

Note :

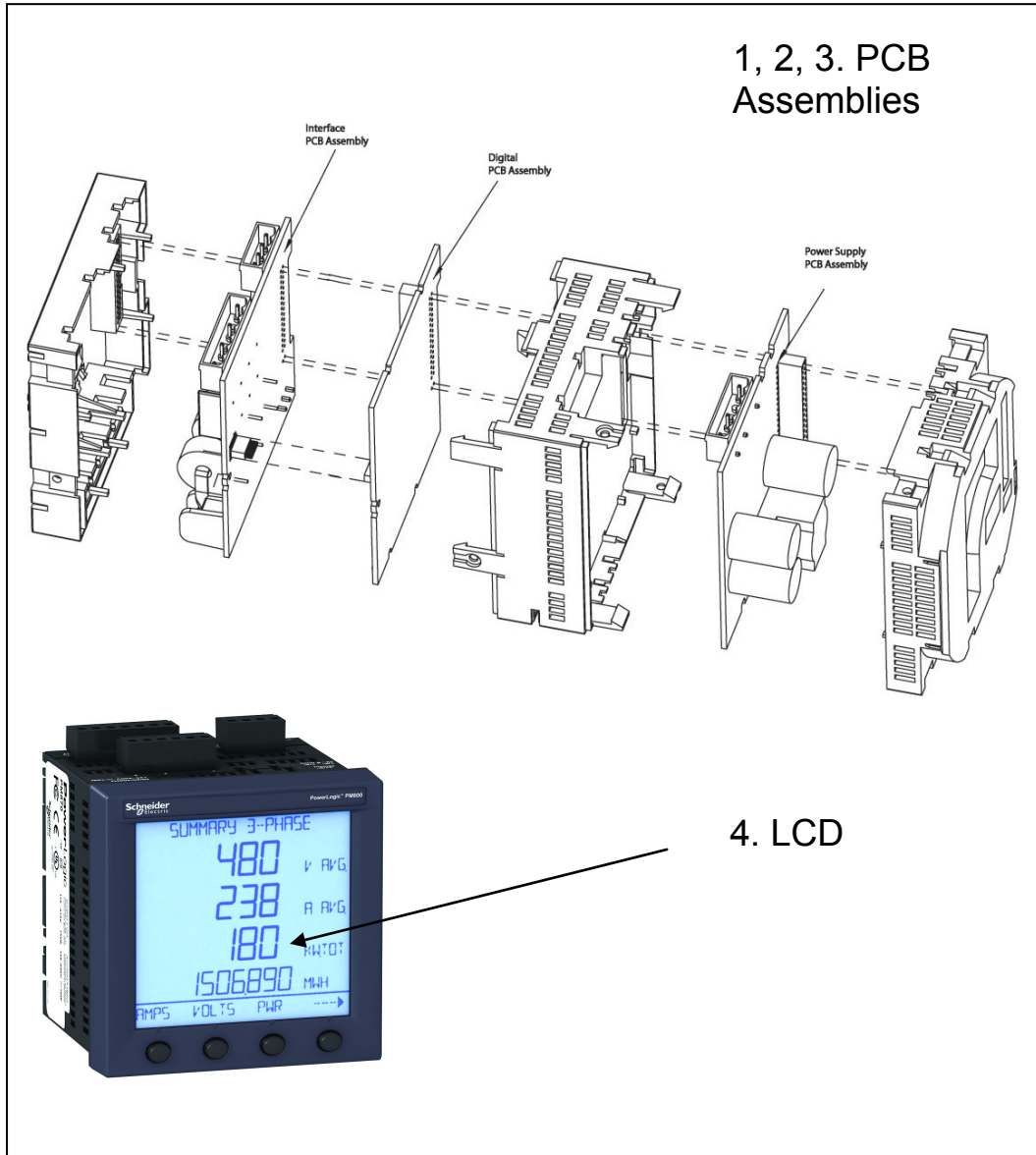
This product family is not in the scope of EU directive 2002/96/EC, Waste Electrical and Electronic Equipment (WEEE).



Operations recommended for the end of life treatment

There are several steps to process the products at the end of life so as to recover components, materials or energy : Reuse → Depollution → Dismantling → Shredding.

The components of the products that optimize the recycling performances are listed, identified and located hereunder.



Number on drawing	Components	Comment
Components listed for depollution		
1	Power Supply PCB Assembly	81.85 g
2	Digital PCB Assembly	43.3 g
3	Interface PCB Assembly	79.8 g
4	LCD	98 g

Schneider Electric SA
 35 Rue Joseph Monier
 CS 30323
 92506 Rueil Malmaison Cedex (France)
 Tel.: +33 (0) 1 41 29 70 00
 www.schneider-electric.com

The version of the Guide used to create the document: End of Life
 Instruction Drafting Guide of Schneider Electric version V2

ENVEOLI100610EN

Publication date : 06/29/10