

Product End-of-Life Instructions

Product Range: LC1F (185 to 265A)

Marketing Model/Name: (List of multiple models if applicable)

The End of Life Instruction (EOLI) covers the entire range:

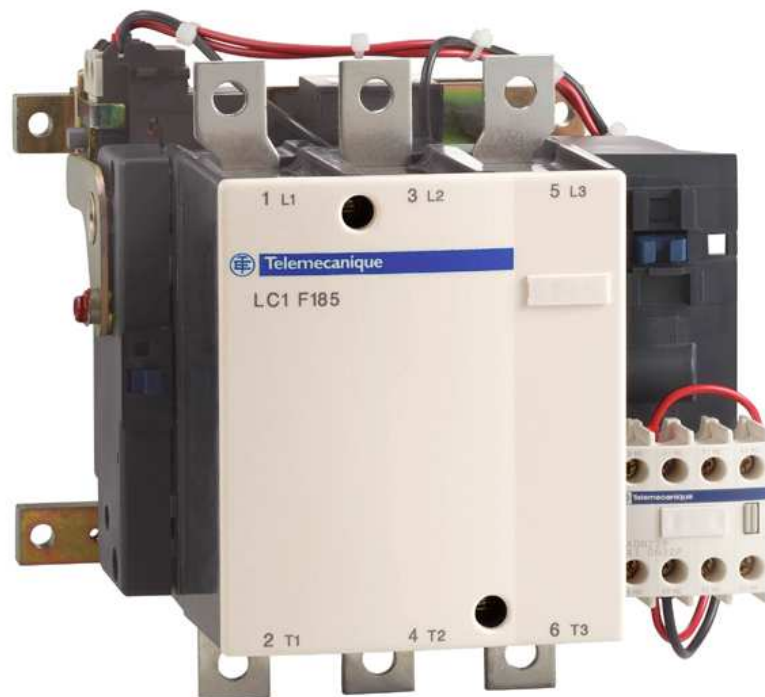
- Three-pole and four-pole contactors powered by voltages of 24 to 1000 V AC.
- The generic references in the F range, TeSys LC1-F185 to LC1-F225.

Purpose:

The product family must be disposed according to the legislation of the country. This document is intended for use by end of life recyclers or treatment facilities. It provides the basic information to assure an appropriate end of life treatment for the components and materials of the product.

Note :

This product family is not in the scope of EU directive 2002/96/EC, Waste Electrical and Electronic Equipment (WEEE).



Size in mm :

H x L x D in mm : 174 x 168.5 x 181 for a 3-pole
174 x 208.5 x 181 for a 4-pole

Weight in kg : 4.65 kg

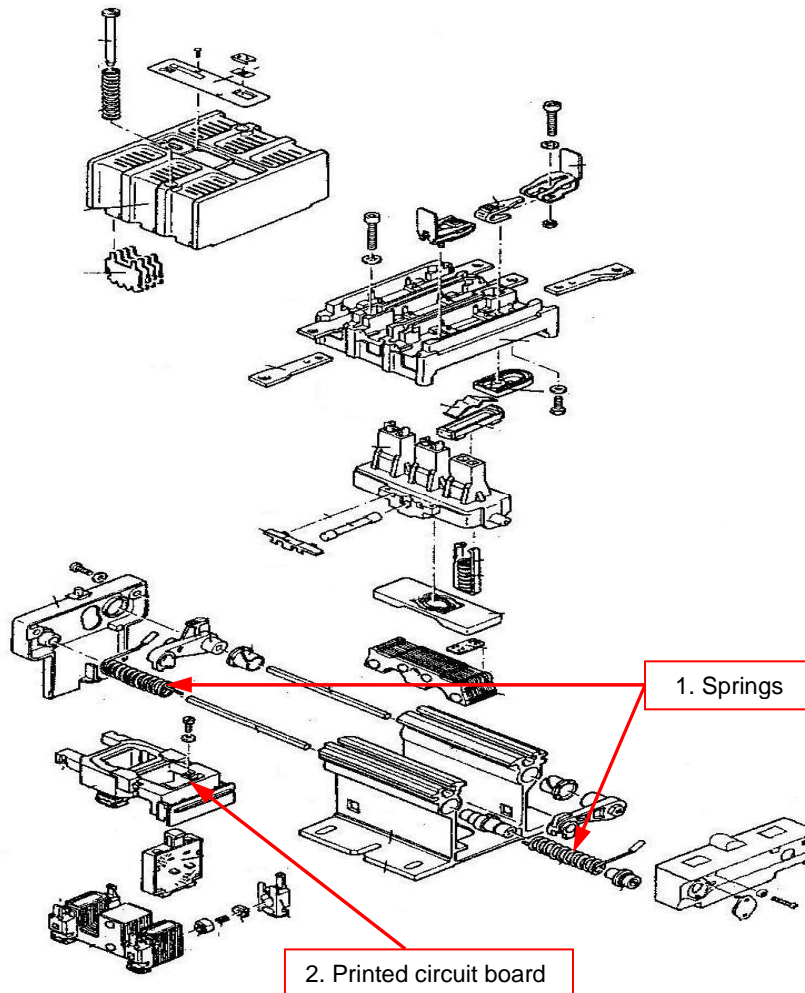
Operations recommended for the end of life treatment

There are several steps to process the products at the end of life so as to recover components, materials or energy :
Reuse → Depollution → Dismantling → Shredding.

The components of the products that optimize the recycling performances are listed, identified and located hereunder.

This product contains a printed circuit board which is recommended to be treated separately during the End of Life operations.

LC1F185 series contain springs which can be charged of energy. Be careful of these components ejection when operating.



Number on drawing	Components	Weight (g)	Comment
Components listed for operating hazards			
1	Springs		
Components listed for reuse			
2	Printed circuit board	8 g	Break the bobbin's plastic to extract the PCB

Schneider Electric SA
43-45, boulevard Franklin Roosevelt
F-92500 Rueil-Malmaison Cedex (France)
Tel.: +33 (0) 1 41 29 70 00
www.schneider-electric.com

The version of the Guide used to create the document: End of Life Instruction Drafting Guide of Schneider Electric version V2

ENVEOLI100418EN

Publication date : 15/06/2010