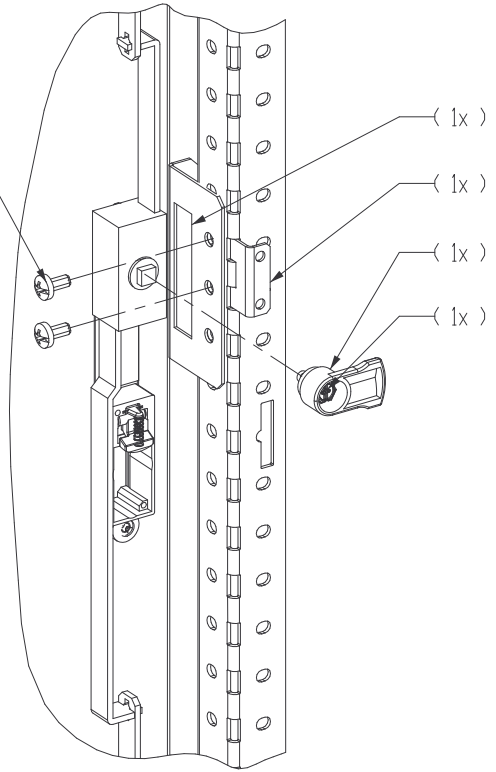


M6x12 (2x)



ENNA05626TA