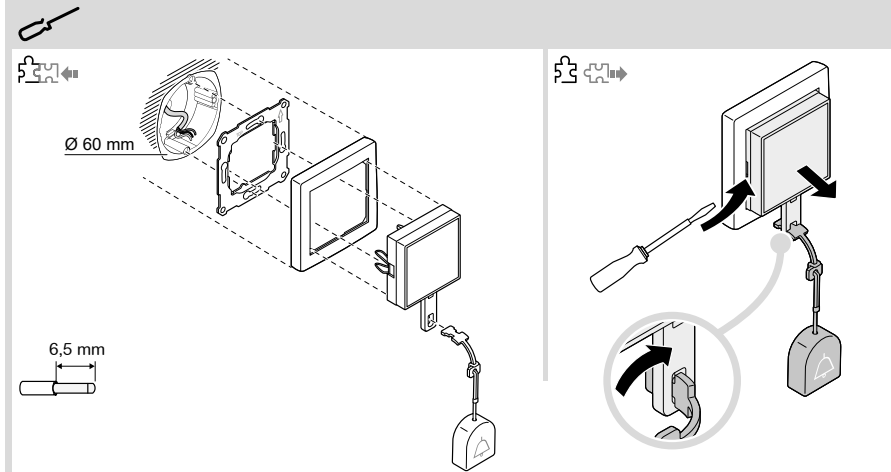


NNZ42697-01 02/2022

ELG745030, MEG4850-0300

**Sigma care**



**Additional information** →

Scan the QR code or follow the link.  
Further information about the Sigma Care call system are available online.



ELG745030



<https://www.go2se.com/ref=ELG745030>

MEG4850-0300



<https://www.go2se.com/ref=MEG4850-0300>

en **Pull-cord call button**

**Installation instructions**

**⚠️ ⚠️ WARNING**

**DANGER RISK OF FATAL INJURY FROM IMPROPER INSTALLATION**

Safe electrical installation must be carried out by qualified professionals. Qualified professionals must demonstrate an in-depth knowledge of:

- Connecting to installation networks
- Connecting multiple electrical appliances
- Installation of electric cables
- Connection and installation of call systems in accordance with DIN VDE 0834
- Safety standards, local connection rules and regulations

The commissioning and further work or changes to the call system may only be carried out by a call system specialist in accordance with DIN VDE 0834.

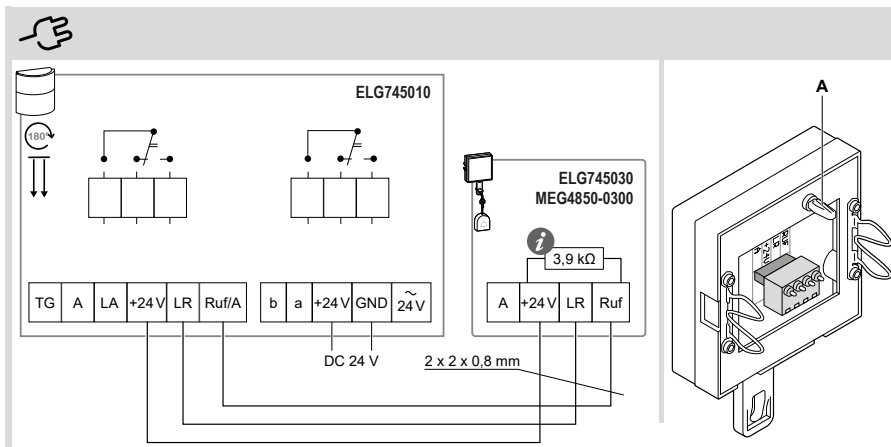
**Failure to observe these instructions can lead to death or serious injuries.**

**⚠️ ⚠️ DANGER**

**DANGER RISK OF FATAL INJURY FROM ELECTRIC SHOCK**

Insulation and protection against contact must be maintained. Devices of the call system and devices of the low-voltage system (e.g. switches, sockets) must not be covered with a shared cover plate.

**Failure to observe these instructions will lead to death or serious injuries.**



**Additional information** →

Scan the QR code or follow the link.

A detailed description of the pull-cord call button and other useful information about the Sigma care call system are available online in the Online User Guide.

**Required accessories**

To be completed with the design frames:

- ELSO Joy, ELSO Fashion with adaptor frame
- Merten System M, Merten System D frame with adapter frame

**Getting to know the device**

Sigma care devices are installed, for example, in disabled toilets. The pull-cord call button is used to trigger a call that is indicated visually and acoustically on a room module mounted visibly outside the room.

- With a 3 m red pull cord and a red bell-shaped grip, as well housing sides that glow red in all directions indicating that a call has been triggered.
- With locking lug (A) on the rear of the device that keeps the device in the frame when pulled hard.

**Installation location**

The requirements of DIN 0100-710 shall be taken into account for pull-cord call buttons in wet cells. In accordance with DIN 0834, pull-cord call buttons in showers must be placed at least 20 cm above the maximum possible position of the shower head.

The grip must be accessible to persons lying on the floor and thus end between 10 and 20 cm above the floor.

**Installation** →

Installation is carried out vertically on a 60 mm flush-mounted box.

**Connection** →

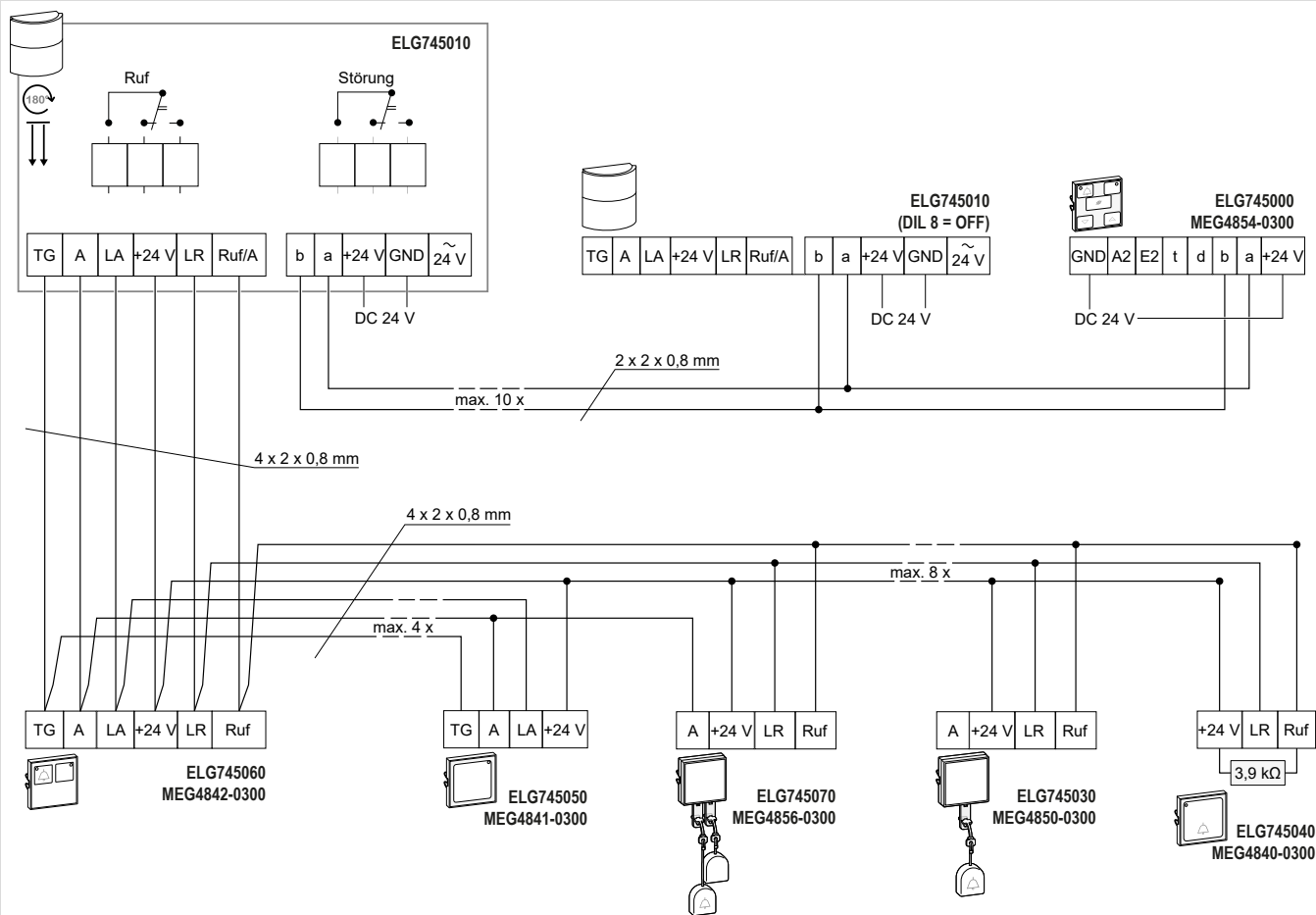
**Note** The line termination resistor (3.9 kΩ) is included in the scope of supply of the room module with signal lamp. In case of parallel connection of multiple buttons with call function at a terminal input, this terminator must be installed at the furthest button. The max. cable length of 50 m must be observed.

A maximum of 8 buttons with call function can be connected per room module with signal lamp.

**Note** Interchanging cables (with regard to the connection diagram) results in malfunctions.

A	unassigned
+24 V	Operating voltage
LR	Call lamp
Call	Call button

The line termination resistor is installed between "Call" and "+24 V".



**Technical data**

- Supply**  
 Operating voltage: DC 24 V ±10%, via the ELG745010 room module  
 Current consumption: max. 40 mA
- Call line**  
 Line termination resistor (standby current) to +24 V: 3.9 kΩ ±5%  
 Standby current: 3.5 mA ±10%  
 Working resistor active to +24 V with button operation parallel to the terminator: 3.6 kΩ ±5%  
 Working current: 4.5 mA ±10%
- Pull-cord force**  
 Triggering force: 10 ... 13 N  
 Tear-off force: 20 ... 25 N
- Calming lamp**  
 Current consumption: max. 40 mA
- Connecting terminal**  
 Terminal: Plug-in terminal, 4-pole  
 Conductors per pole: 2

- Stripped length: 6.5 mm
- Environmental conditions**  
 Ambient temperature during operation: 0 °C ... 50 °C  
 Relative humidity: max. 95%, condensation possible
- Protection rating:** IP21  
**Cable type:** J-Y(St)Y, 2 x 2 x 0.8 mm  
**Cable length:** max. 50 m  
**Dimensions (W x H x D):** 55 x 55 x 20 mm



**Schneider Electric GmbH c/o ELSO**  
 An der Wipper 5-7 | D-99706 Sondershausen  
 Tel: +49 3632 51 0  
 e-mail: info.elso@schneider-electric.com  
 www.se.com/de

**Schneider Electric GmbH c/o Merten**  
 Gothaer Strasse 29 | D-40880 Ratingen  
 www.merten.de | www.se.com/de