

Harmony GTW6

Advanced Web HMI

User Guide

EIO0000005724.01
05/2026

Legal Information

The information provided in this document contains general descriptions, technical characteristics and/or recommendations related to products/solutions.

This document is not intended as a substitute for a detailed study or operational and site-specific development or schematic plan. It is not to be used for determining suitability or reliability of the products/solutions for specific user applications. It is the duty of any such user to perform or have any professional expert of its choice (integrator, specifier or the like) perform the appropriate and comprehensive risk analysis, evaluation and testing of the products/solutions with respect to the relevant specific application or use thereof.

The Schneider Electric brand and any trademarks of Schneider Electric SE and its subsidiaries referred to in this document are the property of Schneider Electric SE or its subsidiaries. All other brands may be trademarks of their respective owner.

This document and its content are protected under applicable copyright laws and provided for informative use only. No part of this document may be reproduced or transmitted in any form or by any means (electronic, mechanical, photocopying, recording, or otherwise), for any purpose, without the prior written permission of Schneider Electric.

Schneider Electric does not grant any right or license for commercial use of the document or its content, except for a non-exclusive and personal license to consult it on an "as is" basis.

Schneider Electric reserves the right to make changes or updates with respect to or in the content of this document or the format thereof, at any time without notice.

To the extent permitted by applicable law, no responsibility or liability is assumed by Schneider Electric and its subsidiaries for any errors or omissions in the informational content of this document, as well as any non-intended use or misuse of the content thereof.

Table of Contents

Safety Information	5
About the Document	6
Cybersecurity	13
Cybersecurity Guideline	13
Security Seal	13
Overview	14
Part Numbers	14
Package Contents	14
Product Revision and QR Code	15
Certifications and Standards	15
Federal Communication Commission Radio Frequency Interference Statement - For USA	17
Hazardous Location Installation - For USA and Canada	17
Device Connectivity	20
System Design	20
Product Overview	20
System Structure	20
Accessories	21
Maintenance Accessories	22
Parts Identification and Functions	23
Parts Identification	23
LED Indications	24
Status LED (Front LED)	24
Ethernet LED	25
Rear LEDs	25
Specifications	27
General Specifications	27
Electrical Specifications	27
Environmental Specifications	28
Structural Specifications	29
Functional Specifications	30
Display Specifications	30
Touch Panel	31
Memory	31
Clock	31
Interface Specifications	32
Specifications of Each Interface	32
Interface Connection	32
Dimensions	34
External Dimensions (10-inch Wide Model)	34
External Dimensions (12-inch Wide Model)	35
External Dimensions (15-inch Wide Model)	35
External Dimensions (19-inch Wide Model)	36
Installation Fastener	36
Installation and Wiring	37
Installation	37
Precautions for Building into an End-use Product	37
Installation Requirements	37

- Panel Cutout Dimensions 39
- Installation Procedure 40
- Removal Procedure 42
- Wiring the Power Supply 44
 - DC Power Cord Preparation 44
 - How to Connect the DC Power Cord 45
 - Power Supply Precautions 46
 - Grounding 47
- USB Cable Clamp 49
- SD Card Installation 52
- VESA Mounting 54
 - Attaching the VESA Mounting Plate 55
- Maintenance 58
 - Regular Cleaning 58
 - Periodic Check Points 58
 - Replacing the Installation Gasket 59
 - Replacing the Battery 59
- System Settings 62
 - Initial Setup 62
 - Set Up On Device 62
 - Using the Web Browser 64
 - How to Display the System Settings 66
 - Display On Device 66
 - Remote Access from a PC 67
 - Update the System 68
 - Change Password 69
 - Reset Password 70
 - Adding/Deleting a User Account 71
 - Initialization (Factory Reset) 72
 - Factory Reset (When password is used) 73
 - Factory Reset (When password is not used) 74
 - Backup and Restore 75
 - Troubleshooting 76
 - Product does not boot up properly 76
 - Forgot Password 77
 - Forgot IP Address 77
 - System Settings Menu 77
 - Information 79
 - System 79
 - Display 85
 - Ethernet 86
 - Boot 87
 - Browser 88
 - Server 89
 - Security 90

Safety Information

Important Information

Read these instructions carefully, and look at the equipment to become familiar with the device before trying to install, operate, service, or maintain it. The following special messages may appear throughout this documentation or on the equipment to warn of potential hazards or to call attention to information that clarifies or simplifies a procedure.



The addition of this symbol to a "Danger" or "Warning" safety label indicates that an electrical hazard exists which will result in personal injury if the instructions are not followed.



This is the safety alert symbol. It is used to alert you to potential personal injury hazards. Obey all safety messages that follow this symbol to avoid possible injury or death.

⚠ DANGER
DANGER indicates a hazardous situation which, if not avoided, will result in death or serious injury.

⚠ WARNING
WARNING indicates a hazardous situation which, if not avoided, could result in death or serious injury.

⚠ CAUTION
CAUTION indicates a hazardous situation which, if not avoided, could result in minor or moderate injury.

NOTICE
NOTICE is used to address practices not related to physical injury.

Please Note

Electrical equipment should be installed, operated, serviced, and maintained only by qualified personnel. No responsibility is assumed by Schneider Electric for any consequences arising out of the use of this material.

A qualified person is one who has skills and knowledge related to the construction and operation of electrical equipment and its installation, and has received safety training to recognize and avoid the hazards involved.

About the Document

Document Scope

This document describes the specifications, installation, operation, and maintenance of the Harmony GTW6, which is a Web HMI (Human Machine Interface) device used in industrial or factory automation systems.

This document is intended for users who design systems, or install and maintain components.

Validity Note

This document is valid for the Harmony GTW6.

The characteristics of the products described in this document are intended to match the characteristics that are available on www.se.com. As part of our corporate strategy for constant improvement, we may revise the content over time to enhance clarity and accuracy. If you see a difference between the characteristics in this document and the characteristics on www.se.com, consider www.se.com to contain the latest information.

Product Related Information

This product has been designed, developed and manufactured for use in industrial or factory automation systems.

- The product is not appropriate for use with aircraft control devices, medical life-support equipment, central trunk data transmission (communication) devices, or nuclear power control devices, due to inherent requirements for extremely high levels of safety and reliability.
- When using the product with transportation vehicles (trains, cars, and ships), disaster and crime prevention devices, safety equipment, or medical devices unrelated to life-support systems, use redundant and/or failsafe system designs to ensure reliability and safety.

If the equipment is used in a manner not specified by the manufacturer, the protection provided by the equipment may be impaired.

⚠ ⚠ DANGER**HAZARD OF ELECTRIC SHOCK, EXPLOSION, OR ARC FLASH**

- Remove all power from the device before removing any covers or elements of the system, and prior to installing or removing any accessories, hardware, or cables.
- Unplug the power cable from both this product and the power supply prior to installing or removing the product.
- Always use a properly rated voltage sensing device to confirm power is off where and when indicated.
- Replace and secure all covers or elements of the system before applying power to this product.
- Use only the specified voltage when operating this product. This product is designed to use 12 to 24 Vdc. Always check whether your device is DC powered before applying power.
- When using this product in Class I, Division 2, Groups A, B, C, and D hazardous locations, install this product in an enclosure that prevents the operator from touching the back of this product without the use of tools.

Failure to follow these instructions will result in death or serious injury.

Critical alarm indicators and system functions require independent and redundant protection hardware and/or mechanical interlocks.

Please design a safety circuit external to this product so that the entire system operates safely even if the external power supply or this product fails or malfunctions.

- Interlocks and other circuits designed to interrupt or prevent equipment operation (such as emergency stops, protective circuits, and opposing action circuits) and circuits that prevent machine damage, such as positioning mechanisms, should be constructed external to the product.
- The product stops operation when it detects an abnormality such as a watchdog timer error. If an error occurs in the input/output control area, which cannot be monitored, it may lead to unexpected input/output behavior. Therefore, it is important to configure an external fail-safe circuit or mechanism.
- Problems with the relay or transistor in the output unit may cause the output to remain either in the ON or OFF state. Install an external monitoring circuit for output signals that may cause a serious accident.

Design the circuit so that power is supplied to the external device or load control power supply connected to this product before it starts.

When you cycle power, wait at least 10 seconds after it has been turned off. If this product is restarted too quickly, it may not operate correctly.

Do not create any switches on the touch panel that may cause personal injury, property damage, or compromise the safety of the equipment. Design the system so that controls for important operations are managed by devices other than this product, or by independent hardware switches.

In the event the screen cannot be properly read, for example, if the backlight is not functioning, it may be difficult or impossible to identify a function. Functions that may present a hazard if not immediately executed, such as a fuel shut-off, must be provided independently of this product.

▲ WARNING

LOSS OF CONTROL

- The designer of any control scheme must consider the potential failure modes of control paths and, for certain critical control functions, provide a means to achieve a safe state during and after a path failure. Examples of critical control functions are emergency stop and overtravel stop, power outage and restart.
- Separate or redundant control paths must be provided for critical control functions.
- System control paths may include communication links. Consideration must be given to the implications of unanticipated transmission delays or failures of the link.
- Observe all accident prevention regulations and local safety guidelines.
- Each implementation of this product must be individually and thoroughly tested for proper operation before being placed into service.
- The machine control system design must take into account the possibility of the backlight no longer functioning and the operator being unable to control the machine, or making errors in the control of the machine.

Failure to follow these instructions can result in death, serious injury, or equipment damage.

For additional information, refer to NEMA ICS 1.1 (latest edition), "Safety Guidelines for the Application, Installation, and Maintenance of Solid State Control" and to NEMA ICS 7.1 (latest edition), "Safety Standards for Construction and Guide for Selection, Installation and Operation of Adjustable-Speed Drive Systems" or their equivalent governing your particular location.

▲ WARNING

UNINTENDED EQUIPMENT OPERATION

- The application of this product requires expertise in the design and programming of control systems. Only persons with such expertise should be allowed to program, install, alter, and apply this product.
- The screen must be designed with consideration that communication with the connected device may be lost while the operator is using this product.
- Do not use this product as the only means of control for critical system functions such as motor start/stop or power control.
- Do not use this equipment as the only notification device for critical alarms, such as device overheating or overcurrent.
- Follow all applicable safety standard, local regulations and directives.

Failure to follow these instructions can result in death, serious injury, or equipment damage.

When communication with the server is lost, the behavior of this product during operation depends on the server-side screen design. For example, if a momentary switch is being touched when communication is interrupted, the server may interpret it as the end of the touch operation. The screen should be designed so that the system behaves safely, even if communication is lost in the middle of an operation.

The following characteristics are specific to the LCD panel and are considered normal behavior:

- LCD screen may show unevenness in the brightness of certain images or may appear different when seen from outside the specified viewing angle. Extended shadows, or crosstalk may also appear on the sides of screen images.
- LCD screen pixels may contain black and white colored spots and color display may seem to have changed.

- When experiencing vibrations within a certain frequency range and vibration acceleration is above what is acceptable, the LCD screen may partially turn white. Once the vibration condition ends, the whitening of the screen is resolved.
- When the same image is displayed on the screen for a long period, an afterimage may appear when the image is changed.
- The panel brightness may decrease when used for a long time in an environment continuously filled with inert gas. To prevent deterioration of panel brightness, regularly ventilate the panel. For more information, please contact customer support.
www.se.com/support

▲ WARNING

SERIOUS EYE AND SKIN INJURY

The liquid in the LCD panel contains an irritant:

- Avoid direct skin contact with the liquid.
- Wear gloves when you handle a broken or leaking unit.
- Do not use sharp objects or tools in the vicinity of the LCD panel.
- Handle the LCD panel carefully to prevent puncture, bursting, or cracking of the panel material.
- If the panel is damaged and any liquid comes in contact with your skin, immediately rinse the area with running water for at least 15 minutes. If the liquid gets in your eyes, immediately rinse your eyes with running water for at least 15 minutes and consult a doctor.

Failure to follow these instructions can result in death, serious injury, or equipment damage.

NOTICE

REDUCED SERVICE LIFE

Change the screen image periodically and try not to display the same image for a long period of time.

Failure to follow these instructions can result in equipment damage.

Precautions on using models with projected capacitive touch panel

Models with a projected capacitive (PCAP) touch panel may operate abnormally when the display surface is wet.

▲ WARNING

LOSS OF CONTROL

- Do not touch the touch panel area during operating system startup.
- Do not operate when the touch panel surface is wet.
- If the touch panel surface is wet, remove any excess water with a soft cloth before operation.

Failure to follow these instructions can result in death, serious injury, or equipment damage.

NOTE:

- When **Touch Mode** is set to **Water detection mode**, an abnormal touch (such as accidental contact with water or other liquids) will temporarily disable touch for a few seconds to avoid unintended operations. Normal touch operation recovers a few seconds after the abnormal touch condition is removed. You can change the **Touch Mode** in System Settings.
- While the system is starting up, as the touch panel initial values are being checked, do not touch the touch panel area.

NOTICE**EQUIPMENT DAMAGE**

- Do not press on the display of this product with excessive force or with a hard object.
- Do not press on the touch panel with a pointed object, such as the tip of a mechanical pencil or a screwdriver.
- Handle this product carefully to prevent puncture, bursting, or cracking of the panel material.

Failure to follow these instructions can result in equipment damage.

Compared to conventional analog resistive film, projected capacitive touch panels have higher transmittance and lighter touch operation, as well as supporting multi-touch. As it is able to detect weak changes in capacitance, projected capacitive touch panels are susceptible to environmental noise.

While our products have been optimized for industrial environmental noise and conform to CE marking, our products cannot support all environmental noise.

Please consider the following in the installation environment to avoid touch malfunction.

Example:

To reduce the noise voltage of the enclosure of the equipment housing this product:

- Implement noise countermeasures in the equipment. For example, install a noise filter on the inverter, servo amplifier, or other equipment. Refer to the manufacturer's instruction manual.
- Attach a ground wire noise filter to the FG connection of equipment.
- Connect the enclosure for the equipment to the building. For example, connect to the concrete or steel reinforcement parts of the building.

NOTE: If there is a lot of environmental noise, because the noise filter for the touch panel controller has to run, touch response may become slow.

General Cybersecurity Information

In recent years, the growing number of networked machines and production plants has seen a corresponding increase in the potential for cyber threats, such as unauthorized access, data breaches, and operational disruptions. You must, therefore, consider all possible cybersecurity measures to help protect assets and systems against such threats.

To help keep your Schneider Electric products secure and protected, it is in your best interest to implement the cybersecurity best practices as described in the [Cybersecurity Best Practices](#) document.

Schneider Electric provides additional information and assistance:

- [Subscribe to the Schneider Electric security newsletter.](#)
- [Visit the Cybersecurity Support Portal web page to:](#)
 - [Find Security Notifications.](#)
 - [Report vulnerabilities and incidents.](#)
- [Visit the Schneider Electric Cybersecurity and Data Protection Posture web page to:](#)
 - [Access the cybersecurity posture.](#)
 - [Learn more about cybersecurity in the cybersecurity academy.](#)
 - [Explore the cybersecurity services from Schneider Electric.](#)

Product Related Cybersecurity Information

Refer to [Cybersecurity](#), page 13.

Environmental Data

For product compliance and environmental information, refer to the [Schneider Electric Environmental Data Program](#).

Available Languages of the Document

The document is available in these languages:

- [English \(EIO0000005724\)](#)
- [French \(EIO0000005725\)](#)
- [German \(EIO0000005726\)](#)
- [Spanish \(EIO0000005727\)](#)
- [Italian \(EIO0000005728\)](#)
- [Chinese \(EIO0000005729\)](#)

Related Documents

Title of documentation	Reference number
Cybersecurity Best Practices	Refer to General Cybersecurity Information , page 11.
HMI/IPC Cybersecurity Guide	EIO0000004948 (ENG)

You can download the manuals related to this product from the Schneider Electric download center (www.se.com/ww/en/download).

Information on Non-Inclusive or Insensitive Terminology

As a responsible, inclusive company, Schneider Electric is constantly updating its communications and products that contain non-inclusive or insensitive terminology. However, despite these efforts, our content may still contain terms that are deemed inappropriate by some customers.

Trademarks

Microsoft® and Windows® are registered trademarks of Microsoft Corporation in the United States and/or other countries.

QR Code is a registered trademark of DENSO WAVE INCORPORATED in Japan and other countries.

Google Chrome is a trademark of Google LLC.

Product names used in this manual may be the registered trademarks owned by the respective proprietors.

Cybersecurity

Cybersecurity Guideline

Use this product inside a secure industrial automation and control system. Total protection of components (equipment/devices), systems, organizations, and networks from cyber attack threats requires multi-layered cyber risk mitigation measures, early detection of incidents, and appropriate response and recovery plans when incidents occur. For more information about cybersecurity, refer to the Harmony HMI/iPC Cybersecurity Guide.

<https://www.se.com/ww/en/download/document/EIO0000004948/>

▲ WARNING
POTENTIAL COMPROMISE OF SYSTEM AVAILABILITY, INTEGRITY, AND CONFIDENTIALITY
<ul style="list-style-type: none">• Change default passwords at first use to help prevent unauthorized access to device settings, controls and information.• Disable unused ports/services and default accounts, where possible, to minimize pathways for malicious attacks.• Place networked devices behind multiple layers of cyber defenses (such as firewalls, network segmentation, and network intrusion detection and protection).• Apply the latest updates and hotfixes to your Operating System.• Use cybersecurity best practices (for example: least privilege, separation of duties) to help prevent unauthorized exposure, loss, modification of data and logs, interruption of services, or unintended operation.
Failure to follow these instructions can result in death, serious injury, or equipment damage.

Security Seal

This product has a security seal attached, which helps detect unauthorized repairs or modifications to the product. Once the security seal is removed, it cannot be reapplied, increasing the product's security risk.

▲ WARNING
POTENTIAL COMPROMISE OF SYSTEM AVAILABILITY, INTEGRITY, AND CONFIDENTIALITY
<ul style="list-style-type: none">• Do not remove the security seal on the product.• Do not use products with removed security seals.
Failure to follow these instructions can result in death, serious injury, or equipment damage.

Overview

What's in This Chapter

Part Numbers..... 14
 Package Contents 14
 Certifications and Standards 15
 Federal Communication Commission Radio Frequency Interference
 Statement - For USA 17
 Hazardous Location Installation - For USA and Canada 17

Part Numbers

Part Number List

Series	Display size	Part number
Harmony GTW6	10-inch wide	HMIGT6540WCDW
	12-inch wide	HMIGT6640WCDW
	15-inch wide	HMIGT6740WCDW
	19-inch wide	HMIGT6840WCDW

NOTE: All part numbers may be followed by any letter or number.

Part Number Configuration

The following describes the configuration of model numbers.

Digit	Category	Number	Description
1...3	(Prefix)	HMI	-
4...6	Series	GT6	-
7	Display size	5	10"
		6	12"
		7	15"
		8	19"
8, 9	Type	40	Advanced
10	LCD	W	Wide TFT
11	Touch panel	C	PCAP (multi-touch)
12	Power supply	D	DC
13 and later	Supported software*1, others	W	Web HMI

*1 Not supported by screen editing software.

Package Contents

Verify all items listed here are present in your package.

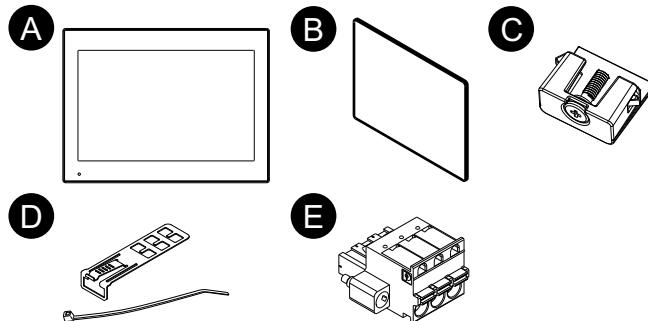
If you find anything damaged or missing, please contact customer support immediately.

▲ WARNING

UNINTENDED EQUIPMENT OPERATION

Do not use damaged products or accessories.

Failure to follow these instructions can result in death, serious injury, or equipment damage.

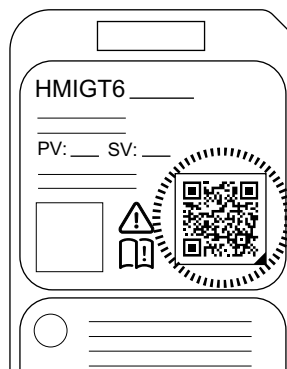


- A. Harmony GTW6 x 1
- B. Installation gasket (attached to this product) x 1
- C. Installation fasteners (to install on a panel)
 - 4 pieces (for 10-inch wide and 12-inch wide models)
 - 8 pieces (for 15-inch wide and 19-inch wide models)
- D. USB cable clamp (Type-A) x 2 set (2 clips and 2 ties)
- E. Power connector x 1
- F. Instruction sheet x 1

Product Revision and QR Code

You can identify the product version (PV) and the software version (SV) from the product label.

You can also check the contents of this manual by using the QR code on the product label. Confirm the location of the QR code below and refer to the manual.



Certifications and Standards

The certifications and standards listed below may include those that are not yet acquired. Please check the product marking and the following URL for the latest acquisition status.

www.se.com/ww/en/download

Agency Certifications

- Underwriters Laboratories LLC., UL 61010-2-201 and CSA C22.2 N°61010-2-201, for Industrial Control Equipment used in Ordinary Locations
- Underwriters Laboratories LLC., UL 121201 and CSA C22.2 N°213, for Industrial Control Equipment used in Class I, Division 2 Hazardous (Classified) Locations
- IECEx / ATEX for use in zone 2 gas /zone 22 dust
- CCCEX
- EU RO Mutual Recognition (EU RO MR) following IACS UR E10
- China Classification Society (CCS)
- Det Norske Veritas (DNV)

Compliance Standards

Europe:

CE/UKCA

- Directive 2014/35/EU (Low Voltage)
- Directive 2014/30/EU (EMC)
- Directive 2014/34/EU (ATEX)

Australia, New Zealand:

- RCM

Hazardous Substances

This product is designed to be compliant with the following environmental regulations, even if the product may not fall directly in the scope of the regulation:

- RoHS, Directive 2011/65/EU and 2015/863/EU
- RoHS China, Standard GB/T 26572
- REACH regulation EC 1907/2006

End of Life (WEEE)

The product contains electronic boards. It must be disposed of in specific treatment channels. The product contains cells and/or storage batteries which must be collected and processed separately when they have run out and at the end of product life (Directive 2012/19/EU).

Refer to [Maintenance](#), page 58 when extracting cells and batteries from the product. These batteries do not contain a weight percentage of heavy metals over the threshold notified by European Battery Regulation 2023/1542.

Federal Communication Commission Radio Frequency Interference Statement - For USA

FCC Radio Interference Information

This product has been tested and found to comply with the Federal Communications Commission (FCC) limits for a Class A digital device, pursuant to Part 15 of the FCC Rules. These limits are designed to provide reasonable protection against harmful interference in a commercial, industrial or business environment. This product generates, uses, and can radiate radio frequency energy and, if not installed and used in accordance with the instructions, may cause or be subject to interference with radio communications. To minimize the possibility of electromagnetic interference in your application, observe the following two rules:

- Install and operate this product in such a manner that it does not radiate sufficient electromagnetic energy to cause interference in nearby devices.
- Install and test this product to ensure that the electromagnetic energy generated by nearby devices does not interfere with the operation of this product.

▲ WARNING

ELECTROMAGNETIC / RADIO INTERFERENCE, UNINTENDED EQUIPMENT OPERATION

Check for electromagnetic and radio interference. If interference is detected, take the following actions.

- Increase the distance between this product and the interfering equipment.
- Reorient this product and the interfering equipment.
- Reroute power and communication lines to this product and the interfering equipment.
- Connect this product and the interfering equipment to different power supplies.
- Always use shielded cables when connecting this product to a peripheral device or another computer.

Failure to follow these instructions can result in death, serious injury, or equipment damage.

Changes or modifications not expressly approved by the party responsible for compliance could void the user's authority to operate this product.

Hazardous Location Installation - For USA and Canada

General

This product is suitable for use in Class I, Division 2, Groups A, B, C, and D hazardous locations or in non-hazardous locations. Before installing or using this product, confirm that the Hazardous Location certification appears on the product labeling.

NOTE: Some products are not yet rated as suitable for use in hazardous locations. Always use your product in conformance with the product labeling and this manual.

⚡⚠ DANGER**HAZARD OF ELECTRIC SHOCK, EXPLOSION, OR ARC FLASH**

- Remove all power from the device before removing any covers or elements of the system, and prior to installing or removing any accessories, hardware, or cables.
- Unplug the power cable from both this product and the power supply prior to installing or removing the product.
- Always use a properly rated voltage sensing device to confirm power is off where and when indicated.
- Replace and secure all covers or elements of the system before applying power to this product.
- Use only the specified voltage when operating this product. This product is designed to use 12 to 24 Vdc. Always check whether your device is DC powered before applying power.

Failure to follow these instructions will result in death or serious injury.

⚠ WARNING**EXPLOSION HAZARD**

- Do not use this product in hazardous environments or locations other than Class I, Division 2, Groups A, B, C, and D.
- Substitution of any components may impair suitability for Class I, Division 2.
- Always confirm the UL 121201 or CSA C22.2 No.213 hazardous location rating of your device before installing or using it in a hazardous location.
- To apply or remove the supply power from this product installed in a Class I, Division 2 hazardous location, you must either: A) Use a switch located outside the hazardous environment, or B) Use a switch certified for Class I, Division 1 operation inside the hazardous area.
- Do not connect or disconnect equipment unless power has been switched off or the area is known to be non-hazardous. This applies to all connections including power, ground, serial, parallel, and network connections.
- Do not install any components, equipment, or accessories manufactured by us or by OEM unless these have also been qualified as suitable for use in Class I, Division 2, Groups A, B, C, and D locations.
- Always use shielded/grounded cables in hazardous locations.
- Use only non-incendive USB devices.
- Do not attempt to install, operate, modify, maintain, service, or otherwise alter this product except as permitted in this manual. Unpermitted actions may impair the suitability of this product for Class I, Division 2 operation.

Failure to follow these instructions can result in death, serious injury, or equipment damage.

Make sure that this product is properly rated for the location. If the intended location does not presently have a Class, Division and Group rating, then users should consult the appropriate authorities having jurisdiction in order to determine the correct rating for that hazardous location.

Operation and Maintenance

The systems have been designed for compliance with relevant spark ignition tests.

⚠ WARNING**EXPLOSION HAZARD**

In addition to the other instructions in this manual, observe the following rules when installing this product in a hazardous location:

- Wire the equipment in accordance with the National Electrical Code article 501.10 (B) for Class I, Division 2 hazardous locations.
- Install this product in an enclosure suitable for the specific application.

Failure to follow these instructions can result in death, serious injury, or equipment damage.

Device Connectivity

What's in This Chapter

System Design.....20
 Accessories21

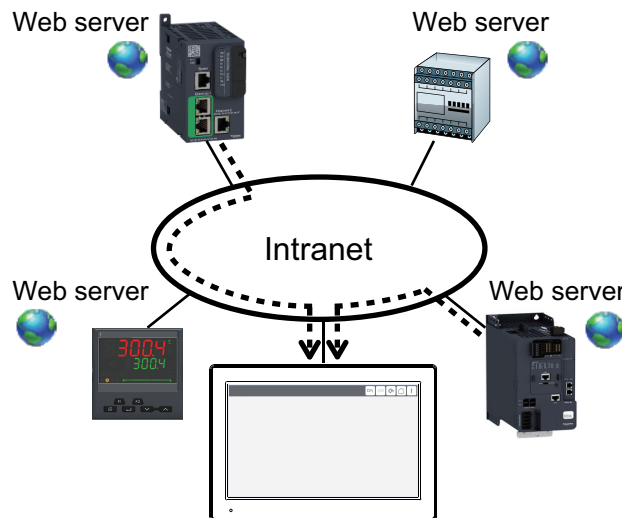
System Design

Product Overview

This product is an industrial display equipped with a dedicated HTML5-compatible browser. As a Web client, the product can access Web servers on the same Intranet and display the server content in the dedicated browser.

- The dedicated browsers support CSS3 and XML.
- You can connect to HTML5 servers (such as an HMI, IPC, PLC, or other external device with Web server functionality) that support JavaScript or HTTPS. You can connect to up to 20 web server devices. The recommended browser is Google Chrome.
- You cannot use this product on the Internet.
- HMI applications do not run on this product.

After turning on this product, you need to set up its display and Web browser settings. For information about settings, refer to *Initial Setup*, page 62.

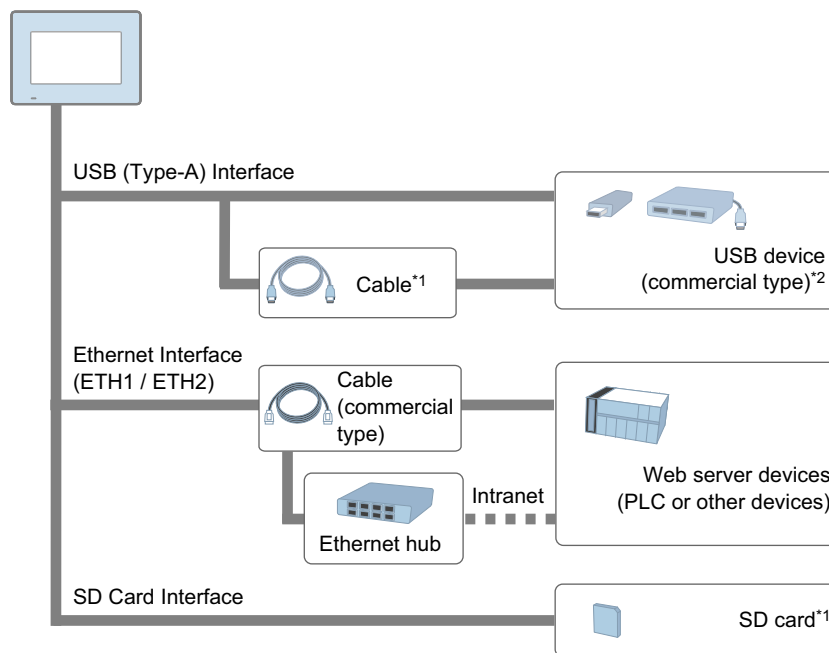


System Structure

This section describes the system configuration with this product and peripheral equipment.

NOTE:

- The number of interfaces may vary depending on the model. Refer to *Parts Identification and Functions*, page 23.
- External storage devices used with this product should be formatted with the FAT, FAT32, or exFAT file system.



*1 Refer to Accessories, page 21.

*2 A USB storage device, USB keyboard, USB mouse, and USB hub can be used. Multiple USB devices of the same type cannot be connected.

Accessories

This section introduces optional items that are sold separately.

Products may change or be discontinued without notice. Please check our website for the latest information.

www.se.com/docs

Product name	Product number	Description
USB (Type-A) Interface		
USB Front Cable (1 m)	XBTZGUSB	Extension cable that attaches USB interface to front panel.
SD Card Interface		
SD Memory Card	HMIZSD4G	SD memory card (4 GB), SDHC
	HMIZCSD16GC101	SD memory card (16 GB, pSLC), SDHC
	HMIZCSD32GC101	SD memory card (32 GB, pSLC), SDHC
	HMIYP6SD64GCX	SD memory card (64 GB), SDXC
Others		
Anti-glare Sheet	HMIZCAG5W1	Prevent reflections, dirt-resistant sheet for 10-inch wide display (5 sheets/set).
	HMIZCAG6W1	Prevent reflections, dirt-resistant sheet for 12-inch wide display (5 sheets/set).
	HMIZCAG7W1	Prevent reflections, dirt-resistant sheet for 15-inch wide display (5 sheets/set).
	HMIZCAG8W1	Prevent reflections, dirt-resistant sheet for 19-inch wide display (5 sheets/set).

Product name	Product number	Description
VESA Mounting Plate	HMIZHVESA	VESA mounting bracket.

Maintenance Accessories

This section lists replacement parts.

Product name	Product number	Description
Installation Fastener		
Installation Fastener	HMIZCAF1	Fastener for installing the product into a solid panel (4 pieces/set).
Installation Gasket		
Installation Gasket for 10-inch wide	HMIZD55W	Provides dust and moisture resistance when 10-inch wide model is installed into a solid panel (1 piece).
Installation Gasket for 12-inch wide	HMIZD56W	Provides dust and moisture resistance when 12-inch wide model is installed into a solid panel (1 piece).
Installation Gasket for 15-inch wide	HMIZD57W	Provides dust and moisture resistance when 15-inch wide model is installed into a solid panel (1 piece).
Installation Gasket for 19-inch wide	HMIZCWG8W1	Provides dust and moisture resistance when 19-inch wide model is installed into a solid panel (1 piece).
Power Supply Connector		
Power Connector (DC)	HMIZCCNDC1	Connector with fixable screws to connect DC power supply cables (Straight type, 5 pieces/set).
USB Cable Clamp		
USB Clamp Type-A (1 port)	HMIZGCLP1	Clamp to prevent disconnection of USB cable (USB Type-A, 1 port, 5 clamps/set).

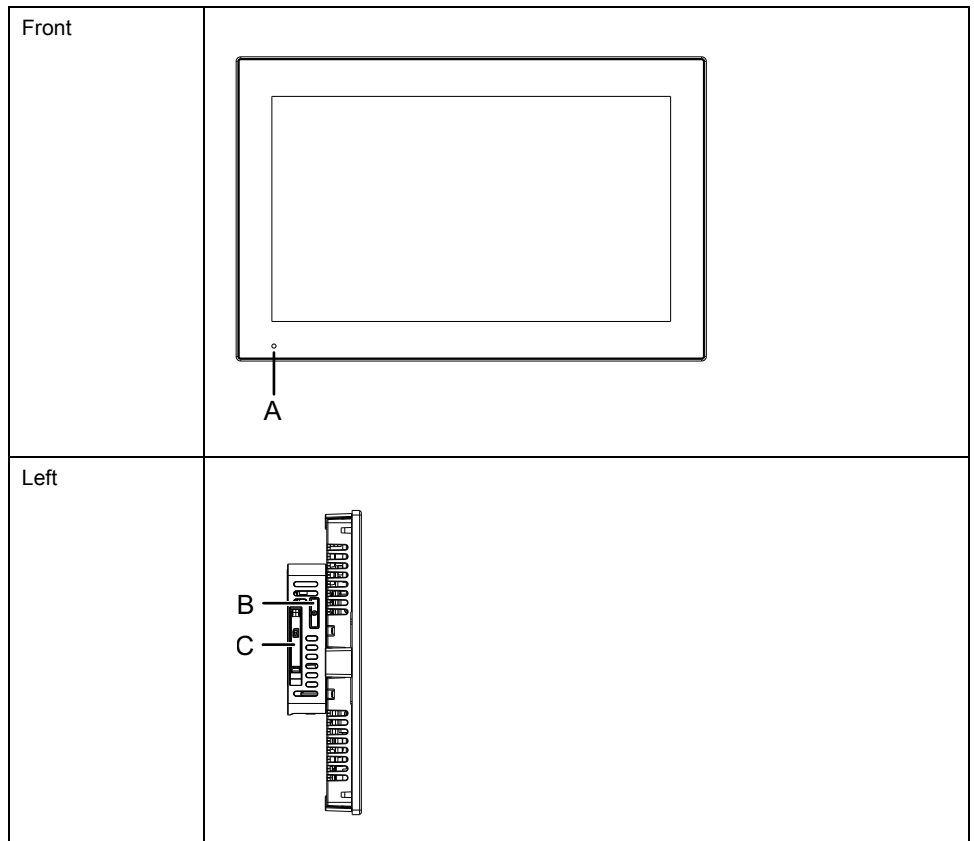
Parts Identification and Functions

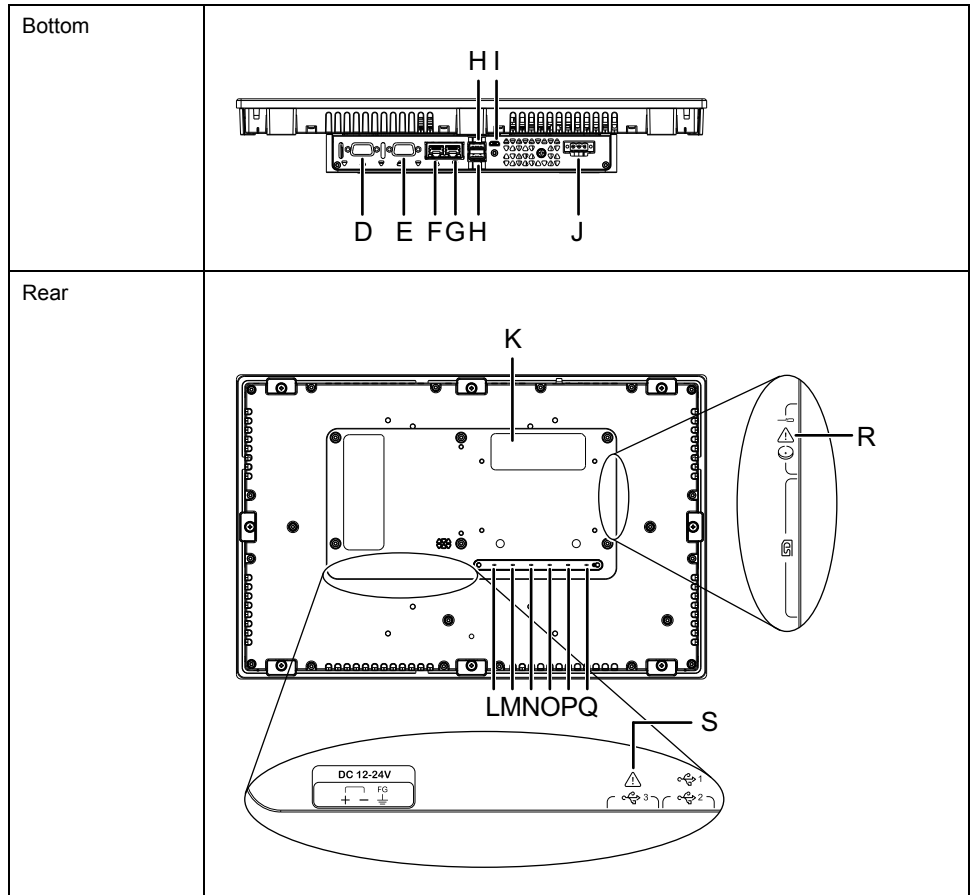
What's in This Chapter

Parts Identification.....23
LED Indications.....24

Parts Identification

NOTE: The figures below show the 15-inch wide model.





- A. Status LED (front LED)
- B. Battery slot
- C. SD card slot cover
- D. Serial interface (COM2) (unavailable)
- E. Serial interface (COM1) (unavailable)
- F. Ethernet interface (ETH2)*1
- G. Ethernet interface (ETH1)
- H. USB (Type-A) interface (x 2)
- I. USB (micro-B) interface (unavailable)
- J. Power connector
- K. Expansion unit interface (unavailable)*2
- L. Status LED (STA)
- M. Error LED (ERR)
- N. COM1 LED (COM1)
- O. COM2 LED (COM2)
- P. USB storage LED (USB)
- Q. SD card access LED (SD)
- R. Safety alert symbol*3
- S. Safety alert symbol*4

*1 The factory default for the ETH2 port is disabled. Use the **System Settings** to change it. For details, refer to Ethernet, page 86.

*2 Do not remove the sticker attached to the rear of the product.

*3 Identifies the safety messages about the battery in Replacing the Battery, page 59.

*4 Identifies the safety messages about the USB (micro-B) interface in Cable Connections, page 32.

LED Indications

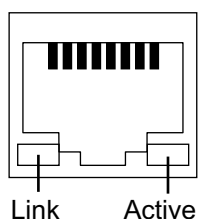
Status LED (Front LED)

After the power is turned on, the normal status indication by the LED is: red light > blinking orange > green light.

Color	Indicator	HMI operation
Green	ON	In operation/Offline
	Blinking (ON/OFF every 3 seconds)	Backlight OFF*1
Orange	Blinking	Software starting up
Red	ON	Power is ON.
-	OFF	Power is OFF.

*1 Specify **Backlight off** in the **System Settings**. For information, refer to Power Saving, page 82.

Ethernet LED



Color	Indicator	Description
Green (Link)	ON	Data transmission is available.
	OFF	No connection or error
Green (Active)	Blinking	Data transmission in progress
	ON	No data transmission
	OFF	No connection or error

Rear LEDs

Status LED

The indicator is the same as the status LED on the front of the product.

Please refer to Status LED (Front LED), page 24.

Error LED

Color	Indicator	Description
Red	ON	Major error is detected.
	Blinking	Minor error is detected.
-	OFF	Normal operation

COM1/COM2 LED

Serial interface is not available.

USB Storage LED

Color	Indicator	Description
Green (Active)	ON	The USB Storage device is inserted.
-	OFF	The USB Storage device is not inserted. Or is not being accessed.

SD Card Access LED

Color	Indicator	Description
Green (Active)	ON	The SD card is inserted.
-	OFF	The SD card is not inserted. Or is not being accessed.

Specifications

What's in This Chapter

General Specifications.....27
 Functional Specifications30
 Interface Specifications.....32

General Specifications

Electrical Specifications

		10-inch wide	12-inch wide
Rated input voltage		12...24 Vdc	
Input voltage limits		10.8...28.8 Vdc	
Voltage dip/short interruption immunity		12 Vdc: 1.25 ms or less 24 Vdc: 5 ms or less	
Power consumption	When power is supplied to expansion units ^{*1}	42 W	47 W
	When power is not supplied to expansion units ^{*1}	23 W	28 W
	When power is not supplied to external devices	16 W	21 W
	When screen turns off the backlight (standby mode)	13 W	14 W
In-rush current		30 A or less	
Noise immunity		Noise voltage: 1,000 Vp-p, Pulse duration: 1 μs, Rise time: 1 ns (via noise simulator)	
Dielectric strength		1,000 Vac for 1 minute (between power terminal and FG terminal)	
Insulation resistance		500 Vdc, 10 MΩ or more (between power terminal and FG terminal)	

		15-inch wide	19-inch wide
Rated input voltage		12...24 Vdc	
Input voltage limits		10.8...28.8 Vdc	
Voltage dip/short interruption immunity		12 Vdc: 1.25 ms or less 24 Vdc: 5 ms or less	

		15-inch wide	19-inch wide
Power consumption	When power is supplied to expansion units*1	50 W	60 W
	When power is not supplied to expansion units*1	31 W	39 W
	When power is not supplied to external devices	24 W	32 W
	When screen turns off the backlight (standby mode)	14 W	16 W
In-rush current		30 A or less	
Noise immunity		Noise voltage: 1,000 Vp-p, Pulse duration: 1 μs, Rise time: 1 ns (via noise simulator)	
Dielectric strength		1,000 Vac for 1 minute (between power terminal and FG terminal)	
Insulation resistance		500 Vdc, 10 MΩ or more (between power terminal and FG terminal)	

*1 Expansion units are not supported by this product.

Environmental Specifications

Use and store this product in areas that conform to the specified conditions.

NOTE: When using any of the options for this product, check the specifications for special conditions or cautions that may apply to this product.

Physical environment	
Ambient air temperature*1	<ul style="list-style-type: none"> 10" wide, 12" wide, 15" wide 0...60 °C (32...140 °F) 19" wide 0...50 °C (32...122 °F) Temperature class (T-Code): T4
Storage temperature	-20...60 °C (-4...140 °F)
Ambient air and storage humidity	10...90% RH (Non condensing, wet bulb temperature 39 °C [102.2 °F] or less)
Dust	0.1 mg/m ³ (10 ⁻⁷ oz/ft ³) or less (non-conductive levels)
Pollution degree	For use in Pollution Degree 2 environment
Corrosive gases	Free of corrosive gases
Atmospheric pressure (operating altitude)	800...1,114 hPa (2,000 m [6,561 ft] or lower)
Mechanical environment	
Vibration resistance	IEC/EN 61131-2 compliant 5...9 Hz Single amplitude 3.5 mm (0.14 in) 9...150 Hz Fixed acceleration: 9.8 m/s ² X, Y, Z directions for 10 cycles (approximately 100 minutes)
Shock resistance	IEC/EN 61131-2 compliant 147 m/s ² , X, Y, Z directions for 3 times
Electrical environment	

Electrical fast transient/burst immunity	IEC 61000-4-4 2 kV: Power port 1 kV: Signal ports
Electrostatic discharge immunity	Contact discharge method: 6 kV Air discharge method: 8 kV (IEC/EN 61000-4-2 Level 3)

*1 When the ambient air temperature is from 0 to 40 °C (32 to 104 °F), the product is classified as temperature class T6.

⚠ CAUTION
INOPERATIVE EQUIPMENT
<ul style="list-style-type: none"> • Do not operate or store the product where chemicals evaporate, or where chemicals are present in the air. Chemicals refer to the following: A) Corrosive chemicals: Acids, alkalines, liquids containing salt, B) Flammable chemicals: Organic solvents. • Do not allow water, liquids, metal, and wiring fragments to enter the panel case. <p>Failure to follow these instructions can result in injury or equipment damage.</p>

Structural Specifications

	10-inch wide	12-inch wide
Grounding	Functional grounding: Grounding resistance of 100 Ω or less, 2 mm ² (14 AWG) or thicker wire, or your country's applicable standard (SG and FG are connected inside the product).	
Cooling method	Natural air circulation	
Structure*1	<ul style="list-style-type: none"> • Front IP66F, IP67F, UL 50/50E, Type 1, Type 4X (indoor use only), Type 12, Type 13 • Rear IP20 	
External dimensions (W x H x D)	268.5 x 198.5 x 64 mm (10.57 x 7.81 x 2.52 in)	308.5 x 230.5 x 64 mm (12.15 x 9.07 x 2.52 in)
Panel cutout dimensions (W x H) ^{2*3}	255 x 185 mm (10.04 x 7.28 in) Panel thickness range: 1.6...3 mm (0.06...0.12 in)	295 x 217 mm (11.61 x 8.54 in) Panel thickness range: 1.6...5 mm (0.06...0.2 in)
Weight	3.2 kg (7.05 lb) or less	3.85 kg (8.49 lb) or less

	15-inch wide	19-inch wide
Grounding	Functional grounding: Grounding resistance of 100 Ω or less, 2 mm ² (14 AWG) or thicker wire, or your country's applicable standard (SG and FG are connected inside the product).	
Cooling method	Natural air circulation	
Structure*1	<ul style="list-style-type: none"> • Front IP66F, IP67F, UL 50/50E, Type 1, Type 4X (indoor use only), Type 12, Type 13 • Rear IP20 	
External dimensions (W x H x D)	408 x 264 x 64 mm (16.06 x 10.39 x 2.52 in)	463.6 x 293.6 x 66 mm (18.25 x 11.56 x 2.6 in)
Panel cutout dimensions (W x H) ^{2*3}	394 x 250 mm (15.51 x 9.84 in) Panel thickness range: 1.6...5 mm (0.06...0.2 in)	449.5 x 279.5 mm (17.7 x 11.0 in) Panel thickness range: 1.6...5 mm (0.06...0.2 in)
Weight	5.3 kg (11.68 lb) or less	6.4 kg (14.1 lb) or less

*1 The front of this product has been tested to comply with the specified standards when installed in a solid panel. However, it is not intended for use in all environments. In environments where the product is exposed to liquids (including jets and sprays) for extended periods, there is a risk that liquids may enter the product due to causes such as peeling of the protective sheet or damage to the front glass cover. In such environments, implement appropriate protective measures based on the specific conditions. Therefore, prior to installing this product, be sure to confirm the type of conditions that will be present in this product's operating environment.

If the installation gasket is used for a long period of time, or if this product and its gasket are removed from the panel, the original level of protection cannot be kept. To maintain the original protection level, be sure to replace the installation gasket regularly.

*2 The dimensional tolerance for the width and height of the panel cutout is +1/-0 mm (+0.04/-0 in). All the corners have a radius of R3 mm (R0.12 in) or less.

*3 Even if the installation wall thickness is within the specified range, depending on the wall's material, size, and installation location of this product and other devices, the installation wall could warp. To prevent warping, the installation surface may need to be strengthened.

NOTE: IP66F and IP67F are not part of UL certification.

<i>NOTICE</i>
<p>EQUIPMENT DAMAGE</p> <ul style="list-style-type: none"> • Ensure this product is not in permanent and direct contact with oils. • Do not press on the display of this product with excessive force or with a hard object. • Do not press on the touch panel with a pointed object, such as the tip of a mechanical pencil or a screwdriver. • Do not expose the product to direct sunlight. • Operate and store this product in areas where temperatures are within the product's specifications. • Do not restrict or block the product's ventilation slots. <p>Failure to follow these instructions can result in equipment damage.</p>

<i>NOTICE</i>
<p>EQUIPMENT DAMAGE</p> <ul style="list-style-type: none"> • Inspect the gasket periodically as required by your operating environment. • Replace the gasket at least once a year, or as soon as scratches or dirt become visible. <p>Failure to follow these instructions can result in equipment damage.</p>

Functional Specifications

Display Specifications

	10-inch wide	12-inch wide
Display type	TFT Color LCD	
Display size	10.1" wide	12.1" wide
Resolution	1,280 x 800 pixels (WXGA)	
Effective display area (W x H)	216.96 x 135.6 mm (8.54 x 5.34 in)	261.12 x 163.2 mm (10.28 x 6.43 in)

	10-inch wide	12-inch wide
Display colors	16 million colors	
Backlight	White LED (Not replaceable.)	
Backlight service life	50,000 hours or more (continuous operation at 25 °C [77 °F] before backlight brightness decreases to 50%)	
Brightness control	Adjust the settings in the System Settings. For details, refer to the Display, page 85.	

	15-inch wide	19-inch wide
Display type	TFT Color LCD	
Display size	15.6" wide	18.5" wide
Resolution	1,920 x 1,080 pixels (FHD)	
Effective display area (W x H)	344.16 x 193.59 mm (13.55 x 7.62 in)	408.96 x 230.04 mm (16.1 x 9.06 in)
Display colors	16 million colors	
Backlight	White LED (Not replaceable.)	
Backlight service life	50,000 hours or more (continuous operation at 25 °C [77 °F] before backlight brightness decreases to 50%)	
Brightness control	Adjust the settings in the System Settings. For details, refer to the Display, page 85.	

Touch Panel

Touch panel type	Projected capacitive (PCAP) with optimized noise filter
Touch points	Multi-touch (two-point touch)
Touch panel service life	50 million times or more
Touch panel resolution	2,048 x 2,048
Touch mode	Standard mode, Water detection mode, Glove mode NOTE: Change the mode in the System Settings.

Memory

System memory	eMMC Flash 4 GB (operating system and other data)
Backup memory	NVRAM 512 KB

Clock

RTC accuracy	Deviation of ±65 seconds per month (at 25 °C [77 °F] and power is OFF).
Clock data backup	Lithium metal battery (non-rechargeable battery, replaceable) Battery life: 5 years (approximate)

Variations in operating conditions and battery life can cause clock deviations from -380 to +90 seconds per month. If you use this product in a system where timing is critical, adjust the clock at regular intervals.

If the battery is depleted or removed, the clock data will be lost. To replace the battery, refer to Replacing the Battery, page 59.

Interface Specifications

Specifications of Each Interface

Use only the SELV (Safety Extra-Low Voltage) circuit to connect the interfaces.

USB (Type-A) interface	
Connector	USB 2.0 (Type-A) x 2
Power supply voltage	5 Vdc \pm 5%
Maximum current supplied	500 mA/port ^{*1}
Maximum transmission distance	5 m (16.4 ft)
Ethernet interface	
Connector	Modular jack (RJ-45) x 2 ^{*2}
Standard	IEEE802.3i/IEEE802.3u, 10BASE-T/100BASE-TX/1000BASE-T ^{*3}
SD card interface	
Connector	SD card slot x 1
Standard	SD/SDHC/SDXC, UHS-I supported

*1 For USB allowable current to provided is limited 1 A total.

*2 The factory default for the ETH2 port is disabled. Use the **System Settings** to change it. For details, refer to **Ethernet**, page 86.

*3 For 1000BASE-T communication, use twisted pair Ethernet cables with a rating of category 5e or higher.

Interface Connection

Cable Connections

⚠ WARNING
<p>EXPLOSION HAZARD</p> <ul style="list-style-type: none"> Always confirm the UL 121201 or CSA C22.2 No.213 hazardous location rating of your device before installing or using it in a hazardous location. To apply or remove the supply power from this product installed in a Class I, Division 2 hazardous location, you must either: A) Use a switch located outside the hazardous environment, or B) Use a switch certified for Class I, Division 1 operation inside the hazardous area. Do not connect or disconnect equipment unless power has been switched off or the area is known to be non-hazardous. This applies to all connections including power, ground, serial, parallel, and network connections. Always use shielded/grounded cables in hazardous locations. Use only non-incendive USB devices. Use the USB (micro-B) interface for temporary connection only during maintenance and setup of the device. Do not use the USB (micro-B) interface in hazardous locations. <p>Failure to follow these instructions can result in death, serious injury, or equipment damage.</p>

Division 2 hazardous location regulations require that all cable connections be provided with adequate strain relief and positive interlock. As this product does not provide adequate strain relief for the USB connection (USB micro-B interface) on

this product, use only non-incendive USB devices. Never connect or disconnect a cable while power is applied at either end of the cable. All communication cables should include a chassis ground shield. This shield should include both copper braid and aluminum foil. The D-Sub style connector housing must be a metal conductive type (for example, molded zinc) and the ground shield braid must be terminated directly to the connector housing. Do not use a shield drain wire.

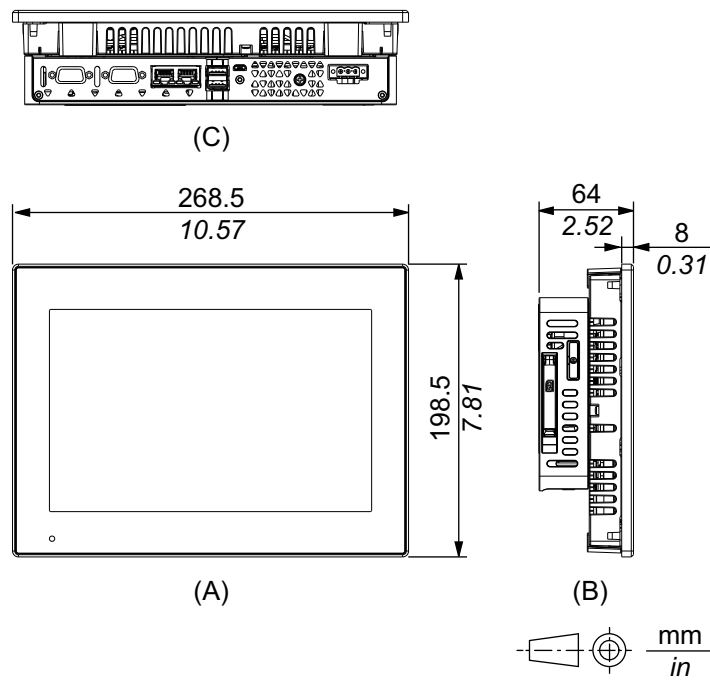
The outer diameter of the cable must be suited to the inner diameter of the cable connector strain relief so that a reliable degree of strain relief is maintained. Always secure the D-Sub connectors to the workstation-mating connectors via the two screws located on both sides.

Dimensions

What's in This Chapter

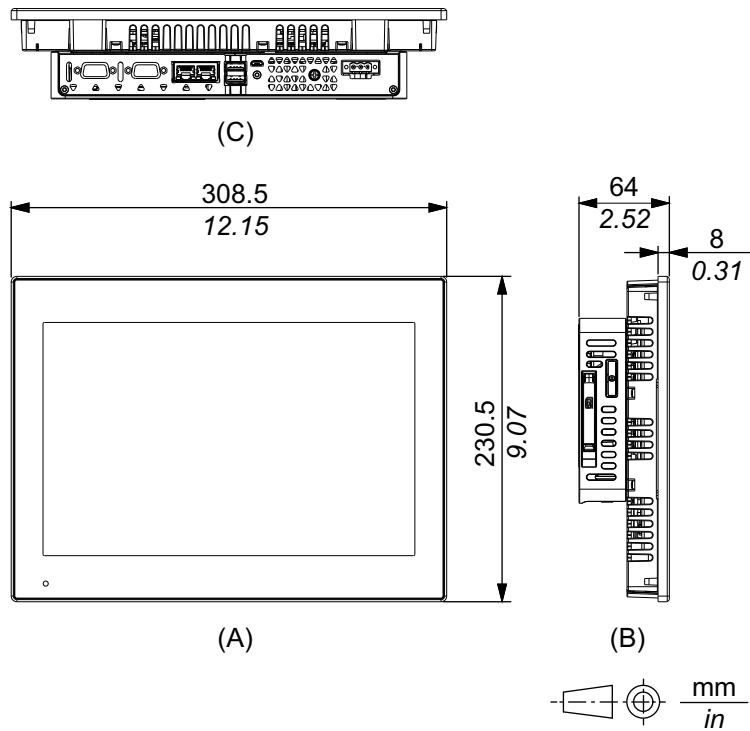
External Dimensions (10-inch Wide Model)	34
External Dimensions (12-inch Wide Model)	35
External Dimensions (15-inch Wide Model)	35
External Dimensions (19-inch Wide Model)	36
Installation Fastener	36

External Dimensions (10-inch Wide Model)



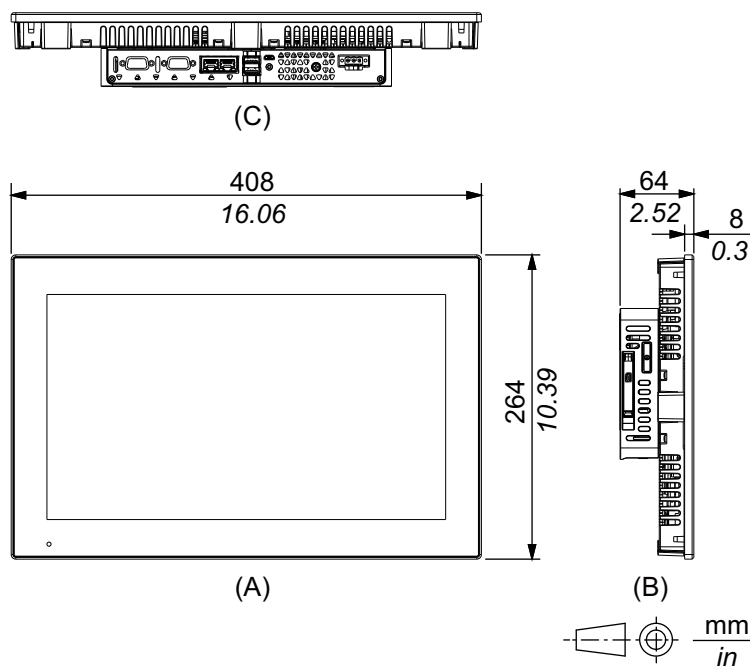
- A. Front
- B. Left
- C. Bottom

External Dimensions (12-inch Wide Model)



- A. Front
- B. Left
- C. Bottom

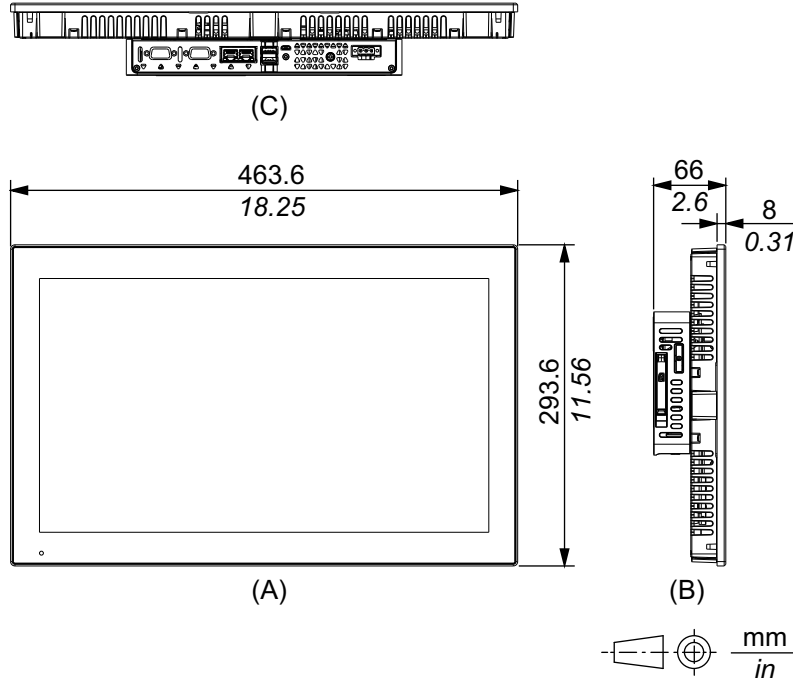
External Dimensions (15-inch Wide Model)



- A. Front

- B. Left
- C. Bottom

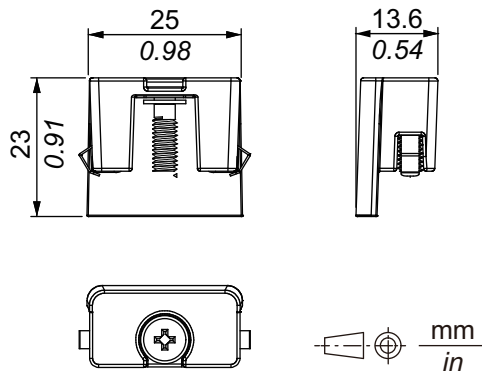
External Dimensions (19-inch Wide Model)



- A. Front
- B. Left
- C. Bottom

Installation Fastener

External Dimensions



Installation and Wiring

What's in This Chapter

Installation 37
 Wiring the Power Supply 44
 USB Cable Clamp 49
 SD Card Installation..... 52
 VESA Mounting..... 54

Installation

Precautions for Building into an End-use Product

This product is designed for use on flat surfaces of IP66F, IP67F, UL 50/50E, Type 1, Type 4X (indoor use only), Type 12 or Type 13 enclosure.

Be aware of the following when building this product into an end-use product:

- The rear face of this product is not approved as an enclosure. When building this product into an end-use product, be sure to use an enclosure that satisfies standards as the end-use product's overall enclosure.
- Install this product in an enclosure with mechanical rigidity.
- This product is not designed for outdoor use. UL certification obtained is for indoor use only.
- Install and operate this product with its front panel facing outward.

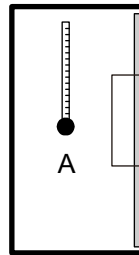
NOTE: IP66F and IP67F are not part of UL certification.

Installation Requirements

⚠ CAUTION
<p>RISK OF BURNING INJURY</p> <ul style="list-style-type: none"> • Do not touch the bezel or rear chassis during operation. • Wear appropriate gloves when operating the touch panel of the 15-inch wide model in ambient temperature above 50 °C (122 °F). <p>Failure to follow these instructions can result in injury or equipment damage.</p>

- Check that the installation wall or cabinet surface is flat, in good condition and has no jagged edges. Metal reinforcing strips may be attached to the inside of the wall, near the panel cutout, to increase its rigidity.
- Decide on the thickness of the enclosure wall, based on the level of strength required. Even if the installation wall thickness is within the specified range, depending on the wall's material, size, and installation location of this product and other devices, the installation wall could warp. To prevent warping, the installation surface may need to be strengthened. For the specified wall thickness range, refer to Panel Cutout Dimensions, page 39.

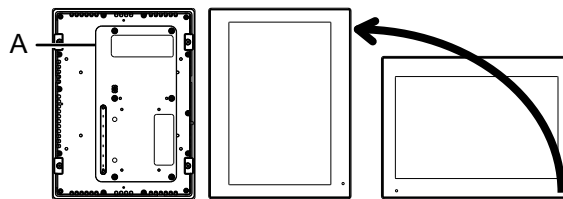
- Check that the ambient air temperature and the ambient humidity are within their specified ranges in *Environmental Specifications*, page 28. When installing this product in a cabinet or enclosure, the ambient air temperature is the cabinet's or enclosure's internal and external temperature.



- A. Internal temperature
- B. External temperature

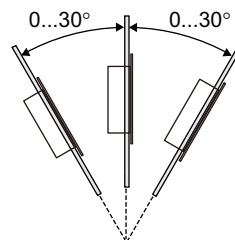
- Be sure that heat from surrounding equipment does not cause this product to exceed its standard operating temperature.
- When mounting this product in portrait orientation, ensure that the right side of this product faces up. In other words, the power connector should be at the right.

NOTE: Please make sure your applications support portrait orientation of the display.



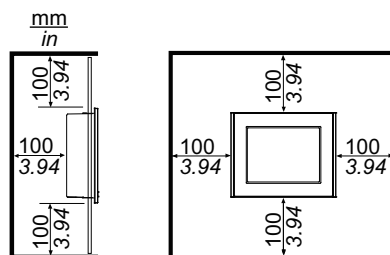
- A. Power connector

- When installing this product in a slanted position, the product face should not incline more than 30°.



- For easier maintenance, operation and improved ventilation, install this product at least 100 mm (3.94 in) away from adjacent structures and other equipment as shown in the following illustration:

NOTE: Ensure that you have enough space to insert and remove the external storage.



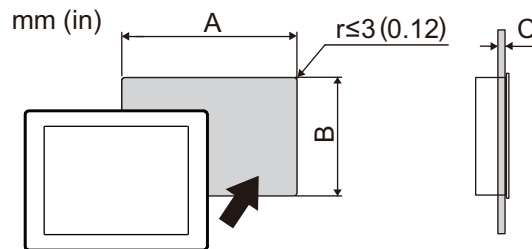
Pressure Differences

When applying and installing this product, it is important that steps are taken to eliminate any pressure difference between the inside and the outside of the enclosure in which this product is mounted. Higher pressure inside the enclosure can cause delamination of the front membrane of the display. Even a small pressure difference inside the enclosure will act on the large area of the membrane and can result in sufficient force to delaminate the membrane and thus cause failure of the touch capability. Pressure differences can often occur in applications where there are multiple fans and ventilators moving air at different rates in different rooms. Please follow these techniques to ensure that this product's function is not impacted by this mis-application:

1. Seal all conduit connections inside of the enclosure, especially those that lead to other rooms that may be at a different pressure.
2. Where applicable, install a small weep hole at the bottom of the enclosure to allow equalization of the internal and external pressure.

Panel Cutout Dimensions

This section lists the dimensions of the panel openings for installing the product.



- A. Width
- B. Height
- C. Panel thickness

The dimensional tolerance for the width and height of the panel cutout is +1/-0 mm (+0.04/-0 in). All the corners have a radius of R3 mm (R0.12 in) or less.

Model Name		
A	B	C
10-inch wide		
255 mm (10.04 in)	185 mm (7.28 in)	1.6...3 mm (0.06...0.12 in)
12-inch wide		
295 mm (11.61 in)	217 mm (8.54 in)	1.6...5 mm (0.06...0.2 in)
15-inch wide		
394 mm (15.51 in)	250 mm (9.84 in)	1.6...5 mm (0.06...0.2 in)
19-inch wide		
449.5 mm (17.7 in)	279.5 mm (11.0 in)	1.6...5 mm (0.06...0.2 in)

Installation Procedure

DANGER

HAZARD OF ELECTRIC SHOCK, EXPLOSION, OR ARC FLASH

- Remove all power from the device before removing any covers or elements of the system, and prior to installing or removing any accessories, hardware, or cables.
- Unplug the power cable from both this product and the power supply prior to installing or removing the product.
- Always use a properly rated voltage sensing device to confirm power is off where and when indicated.
- Replace and secure all covers or elements of the system before applying power to this product.
- Use only the specified voltage when operating this product. This product is designed to use 12 to 24 Vdc. Always check whether your device is DC powered before applying power.
- When using this product in Class I, Division 2, Groups A, B, C, and D hazardous locations, install this product in an enclosure that prevents the operator from touching the back of this product without the use of tools.

Failure to follow these instructions will result in death or serious injury.

NOTICE

EQUIPMENT DAMAGE

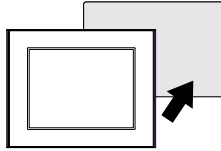
- Always use the installation gasket.
- Do not exert more torque than the amount specified.
- Keep this product stabilized in the panel cutout while you are installing or removing the screw fasteners.

Failure to follow these instructions can result in equipment damage.

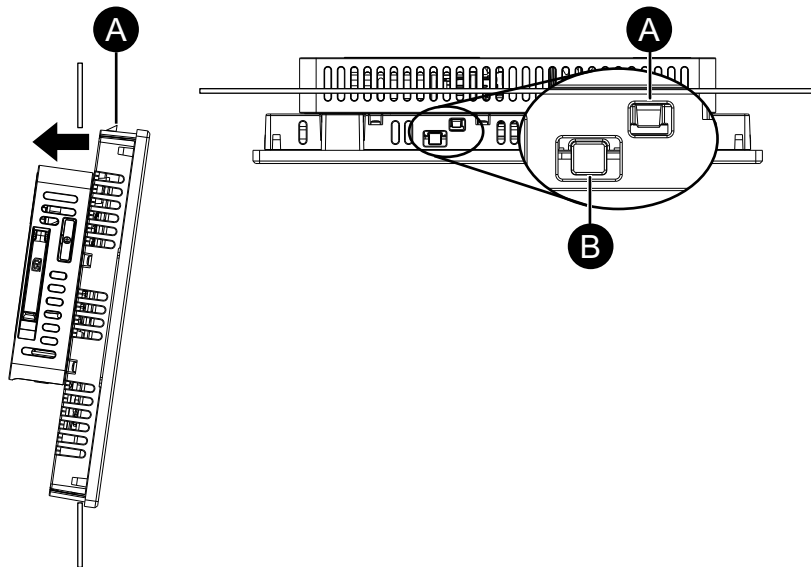
1. Check that the gasket is seated securely into the bezel's groove, which runs around the perimeter of the display panel frame.

NOTE: Always use the installation gasket, since it absorbs vibration in addition to repelling water. For the procedure on replacing the installation gasket, refer to Replacing the Installation Gasket, page 59.

2. Based on the Panel Cutout Dimensions, page 39, open a mount-hole on the panel and attach the product to the panel from the front side.



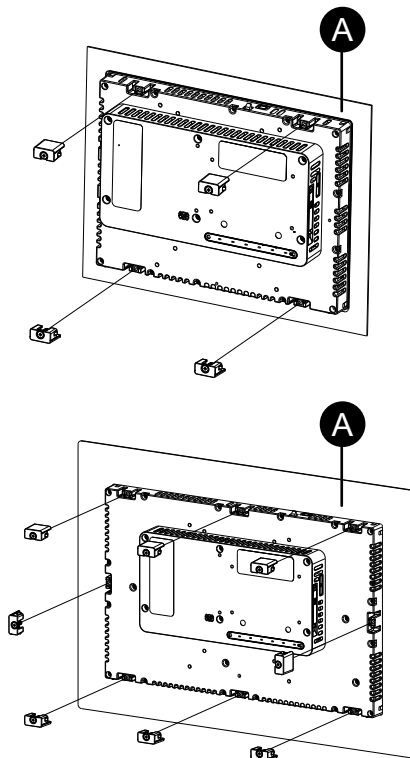
NOTE: This product has an anti-drop lock at the top to prevent it from falling. Insert the bottom part of the product into the panel opening, and then insert the top part while pressing the unlock button.



- A. Anti-drop lock
- B. Unlock button

3. Insert the installation fasteners into the bracket openings at the top, bottom, left and right, and tighten the M4 screws little by little, alternating between diagonally-positioned screws.

NOTE: The necessary torque is 0.7 N•m (6.2 lb-in).



A. Panel

Number of Installation Fasteners

The number of installation fasteners for each model is as follows.

10-inch wide, 12-inch wide	Top - 2, Bottom - 2
15-inch wide, 19-inch wide	Top - 3, Bottom - 3, Left - 1, Right - 1

Removal Procedure

⚡ ⚠ DANGER

HAZARD OF ELECTRIC SHOCK, EXPLOSION, OR ARC FLASH

- Remove all power from the device before removing any covers or elements of the system, and prior to installing or removing any accessories, hardware, or cables.
- Unplug the power cable from both this product and the power supply prior to installing or removing the product.
- Always use a properly rated voltage sensing device to confirm power is off where and when indicated.

Failure to follow these instructions will result in death or serious injury.

⚠ CAUTION**RISK OF INJURY**

Do not drop this product when you remove it from the panel.

- Hold this product in place after removing the fasteners.
- Use both hands.
- While pushing on the anti-drop lock, be careful not to hurt your fingers.

Failure to follow these instructions can result in injury or equipment damage.

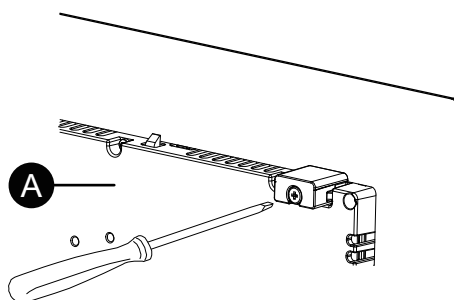
NOTICE**EQUIPMENT DAMAGE**

- Keep this product stabilized in the panel cutout while you are installing or removing the screw fasteners.
- Remove this product while pushing the anti-drop lock or by making sure the lock does not touch the panel.

Failure to follow these instructions can result in equipment damage.

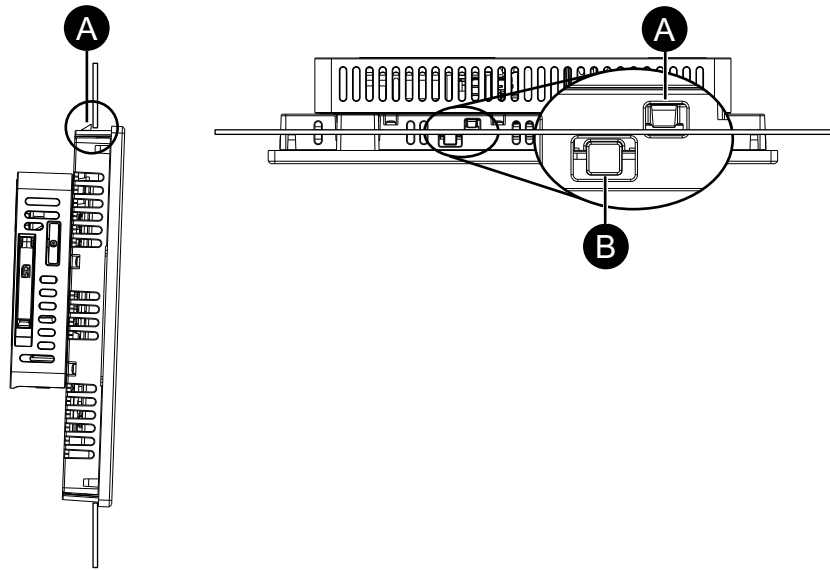
1. Loosen, in small increments, the M4 screws of installation fasteners in opposite corners to eventually remove the screws.

NOTE: For the number of installation fasteners on your model, refer to Number of Installation Fasteners in step 3 of Installation Procedure, page 40.



A. Rear side

- Press the Unlock button at the top of the product to depress the anti-drop lock, then slowly remove the product from the panel.



- A. Anti-drop lock
B. Unlock button

Wiring the Power Supply

DC Power Cord Preparation

⚡⚠ DANGER

HAZARD OF ELECTRIC SHOCK, EXPLOSION, OR ARC FLASH

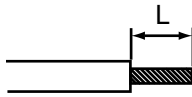
- Remove all power from the device before removing any covers or elements of the system, and prior to installing or removing any accessories, hardware, or cables.
- Remove power before wiring this product's power terminals.
- Always use a properly rated voltage sensing device to confirm power is off where and when indicated.
- Replace and secure all covers or elements of the system before applying power to this product.
- Use only the specified voltage when operating this product. This product is designed to use 12 to 24 Vdc. Always check whether your device is DC powered before applying power.
- Since this product is not equipped with a power switch, be sure to connect a power switch to the power supply.
- Be sure to ground this product's FG terminal.

Failure to follow these instructions will result in death or serious injury.

NOTE:

- The SG (signal ground) and FG (functional ground) terminals are connected internally in this product.
- When the FG terminal is connected, be sure the wire is grounded. Not grounding this product can result in excessive electromagnetic interference (EMI).

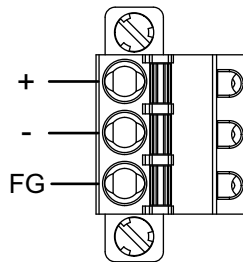
- Make sure the ground wire is either the same or heavier gauge than the power wires.
- Do not use aluminum wires in the power supply's power cord.
- Use copper wire rated for 75 °C (167 °F) or higher.
- The conductor type of DC power cord is solid or stranded wire.
- If the ends of the individual wires are not twisted correctly, the wires may create a short circuit. When inserting a wire into the DC power connector, hold down the opening button and insert the wire while the internal spring is depressed. Alternatively, you can crimp and insert either a pin terminal or ferrule terminal.
- Use the SELV (Safety Extra-Low Voltage) circuit and LIM (Limited Energy) circuit for DC input.

DC power cord	
Power cord cross sectional area	0.75...3.5 mm ² (18...12 AWG)*1
Conductor type	Solid or stranded wire
Conductor length	10 mm (0.39 in) 
Recommended screwdriver	Flat-head screwdriver (size 0.6 x 3.5 mm)

*1 In case of providing 12 Vdc input, thick wires are recommended to minimize voltage drops in the wire.

How to Connect the DC Power Cord

DC Power Connector: Spring Clamp Terminal Blocks



+	12...24 Vdc
-	0 Vdc
FG	Functional ground (Connect the FG terminal properly to ground.)

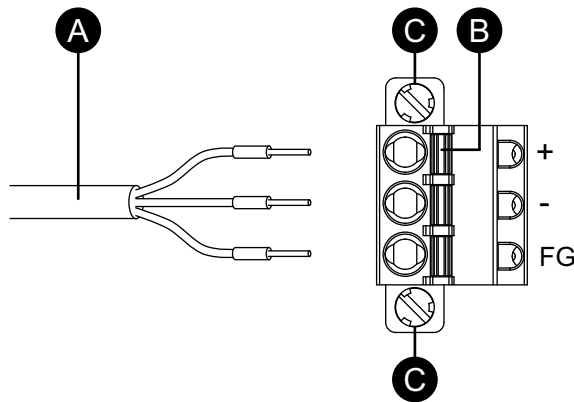
Connection Procedure

1. Confirm the power cord is not connected to the power supply.
2. Check the rated voltage and remove the "DC24V" sticker on the DC power supply connector.
3. Push the opening button with a small and flat screwdriver to open the desired pin hole.

- Insert each power cord wire into its corresponding hole. Release the opening button to clamp the wire in place.

NOTE:

- When using stranded wire, do not short with neighboring wires.
- Do not solder the cable connection.



- A. Power cord
 B. Opening button
 C. Screw

- After inserting all three power cord wires, insert the DC power connector into the power connector on this product.
- Tighten the screws on both sides of the connector to secure it.

NOTE: The necessary torque is 0.3 N•m (2.7 lb-in).

Power Supply Precautions

⚠ DANGER

SHORT CIRCUIT, FIRE, OR UNINTENDED EQUIPMENT OPERATION

- Install and fasten this product in an installation panel or cabinet prior to connecting power supply and communication lines.
- Securely attach power cables to an installation panel or cabinet.
- Avoid excessive force on the power cable.

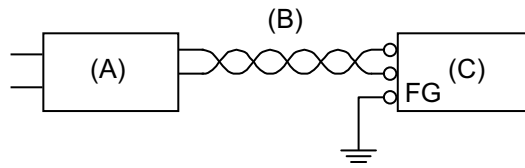
Failure to follow these instructions will result in death or serious injury.

- This product's power cord should not be bundled with or kept close to main circuit lines (high voltage, high current), power lines, or input/output lines, and their various systems should be kept separate. When power lines cannot be wired via a separate system, use shielded cables for input/output lines.
- An independent DC power supply is recommended on the DC model. (The DC power supply should be located close to the product.)
- If there is an excess amount of noise on the power supply line, reduce the noise with a noise filter before turning on the power.
- Connect a surge protection device to handle power surges.
- To increase noise resistance, attach a ferrite core to the power cable.

Power Supply Connections

- Use the SELV (Safety Extra-Low Voltage) circuit and LIM (Limited Energy) circuit for DC input.

- If the voltage variation is outside the prescribed range, connect a regulated power supply.

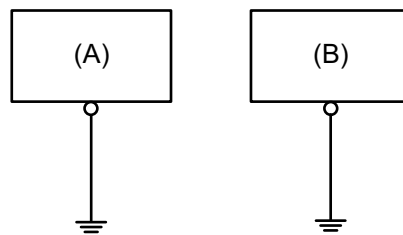


- A. Regulated power supply
- B. Twisted-pair cord
- C. This product

Grounding

Independent Grounding

Always ground the FG (functional ground) terminal. Be sure to separate this product from the FG of other devices as shown below.



- A. This product
- B. Other device

Precautions

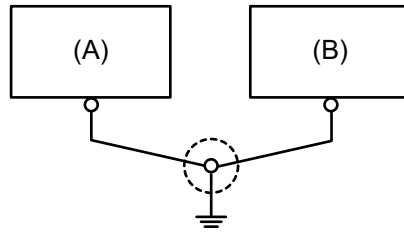
- Check that the grounding resistance is 100 Ω or less.*1
- The FG wire should have a cross sectional area 2 mm² (14 AWG) or greater*1. Create the connection point as close as possible to this product, and make the wire as short as possible. When using a long grounding wire, replace the thin wire with a thicker wire, and place it in a duct.
- The SG and FG terminals are connected internally in this product. When connecting the SG line to another device, be sure that no ground loop is formed.

*1 Observe local codes and standards.

Common Grounding

Electromagnetic Interference (EMI) can be created if devices are improperly grounded. EMI can cause loss of communication. If independent grounding is not possible, use a common grounding point as shown in the configuration below. Do not use any other configuration for common grounding.

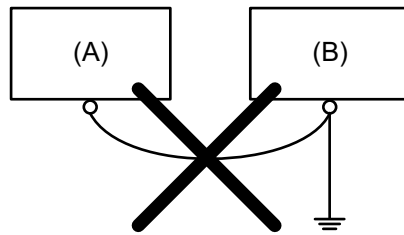
Correct grounding



A. This product

B. Other device

Incorrect grounding



A. This product

B. Other device

USB Cable Clamp

Precautions for Connecting the USB Cable

⚠ WARNING

EXPLOSION HAZARD


- Verify the power, input, and output (I/O) wiring are in accordance with Class I, Division 2 wiring methods.
- Do not use this product in hazardous environments or locations other than Class I, Division 2, Groups A, B, C, and D.
- Substitution of any components may impair suitability for Class I, Division 2.
- Do not disconnect equipment while the circuit is live or unless the area is known to be free of ignitable concentrations.
- Remove power before attaching or detaching any connectors to or from this product.
- Ensure that power, communication, and accessory connections do not place excessive stress on the ports. Consider the vibration in the environment when making this determination.
- Securely attach power, communication, and external accessory cables to the panel or cabinet.
- Use only commercially available USB cables.
- Use only non-incendive USB configurations.
- Suitable for use in Class I, Division 2, Groups A, B, C, D Hazardous Locations.
- Confirm that the USB cable has been attached with the USB cable clamp before using the USB interface.

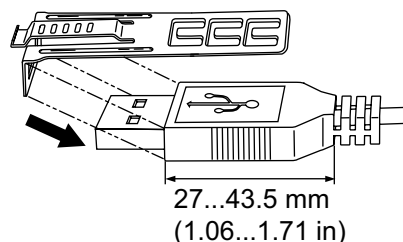
Failure to follow these instructions can result in death, serious injury, or equipment damage.

Attaching USB Clamp Type-A

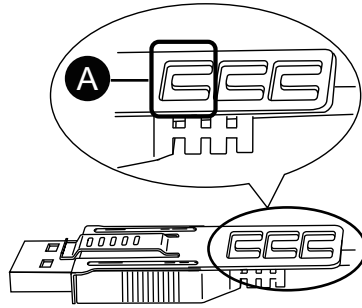
When using a USB device, attach a USB cable clamp to the USB interface to prevent the USB cable from being disconnected.

NOTE: Watch your fingers. The edge of the clip is sharp.

1. Mount the clip to the USB mark  connector shell so that it overlaps. The clip matches the 27 to 43.5 mm (1.06 to 1.71 in) length of the USB connector.

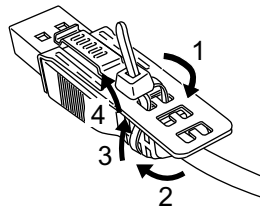


- Align the clip and the USB cable connector shell. Adjust the position of the holes where the clip is attached. To ensure stability, select the clip-hole position that is closest to the base of the connector shell.



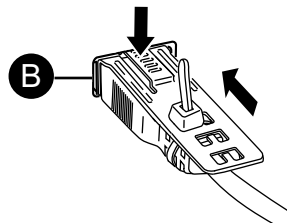
A. Hole for tie to pass through

- As shown, pass the tie through the clip hole. Next, turn the tie and pass it through the head so that the USB cable can pass through the center of the tie loop. The clip is now attached to the USB cable.



NOTE:

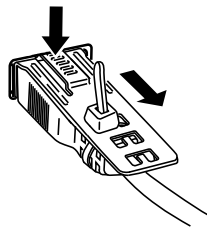
- Check the direction of the head beforehand. Make sure the USB cable is through the center of the tie loop and that the tie can pass through the head.
 - When attaching the cable clamp for USB port 2, make sure the head is on the cable side and not the clip side.
 - You can substitute the tie with any commercially available ties with a width of 4.8 mm (0.19 in) and thickness of 1.3 mm (0.05 in).
- While pressing the grip on the clip, insert the cable from step 3 all the way into the USB host interface. Make sure that the clip tab is secured to the USB cable attached to this product.



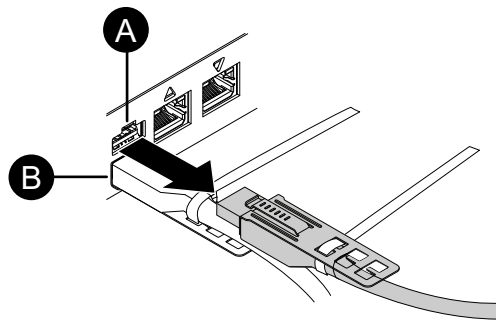
B. USB Type-A interface

Removing USB Clamp Type-A

Remove the USB cable while pushing the grip section of the clip.



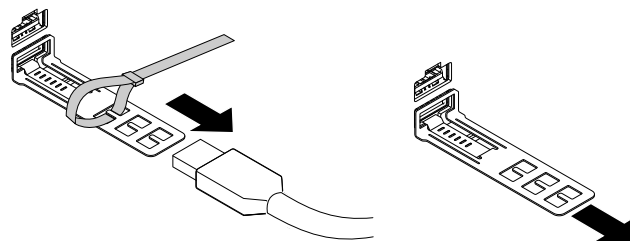
If you use the panel mount type and both USB ports 1 and 2 have USB cables with clamps, remove the cable first from USB port 1.



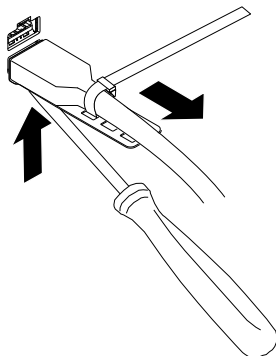
- A. USB port 1
- B. USB port 2

Removing USB Cable from USB Port 2

Cut or loosen the cable tie of the USB port 2 clamp, remove the USB cable first, and then remove the USB clamp.



Alternatively, pull the USB cable out along with the clamp while pressing down on the grip part of the clip, using a tool such as a screwdriver.



SD Card Installation

Precaution When Handling the SD Card

NOTICE

LOSS OF DATA

When using a SD card:

- Make sure you regularly back up the SD card data.
- While a SD card is accessed, do not turn off or reset this product, and do not remove the SD card.
- Before removing the SD card from this product, stop all operations on the SD card.
- Make sure of the SD card's orientation before inserting it into the SD card slot.

Failure to follow these instructions can result in equipment damage.

NOTICE

LOSS OF DATA

When handling the SD card:

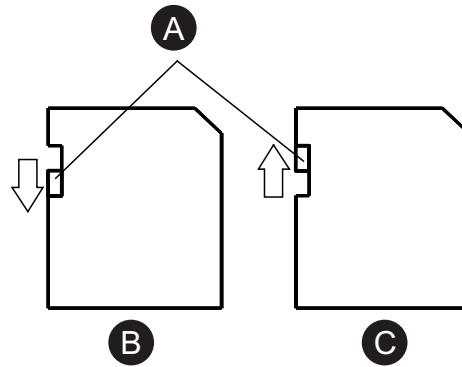
- Avoid storing the SD card where there is static electricity or electromagnetic waves.
- Avoid storing the SD card in direct sunlight, near a heater, or other locations where high temperatures can occur.
- Do not bend the SD card.
- Do not drop or strike the SD card against another object.
- Keep the SD card dry.
- Do not touch the SD card connectors.
- Do not disassemble or modify the SD card.
- Use only SD cards formatted with the specified file system.

Failure to follow these instructions can result in equipment damage.

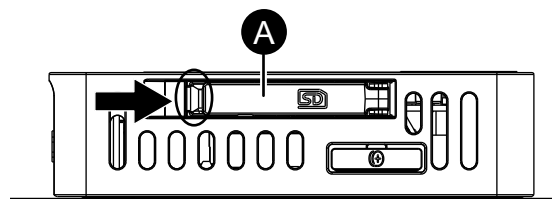
The file systems that this product supports are FAT, FAT32, and exFAT. This product does not recognize external storage formatted with NTFS.

Inserting the SD Card

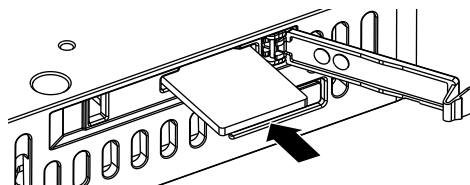
NOTE: As shown in the image below (example on the left-hand side), you can set the Write-Control Tab to prevent write operations to the SD card. Push the tab up, as shown in the example on the right-hand side, to release the lock and enable writing to the SD card. Before using a commercial-type SD card, read the manufacturer's instructions.



- A. Write-control tab
 - B. Write disabled (enable to read)
 - C. Write enabled
1. Touch the housing or ground connection (not the power supply) to discharge any electrostatic charge from your body.
 2. Open the SD card slot cover. To open, lightly push the edge of the cover in the direction of the arrow.



- A. SD card slot cover
3. Insert the SD card into the SD card slot with the front face of the SD card facing up.

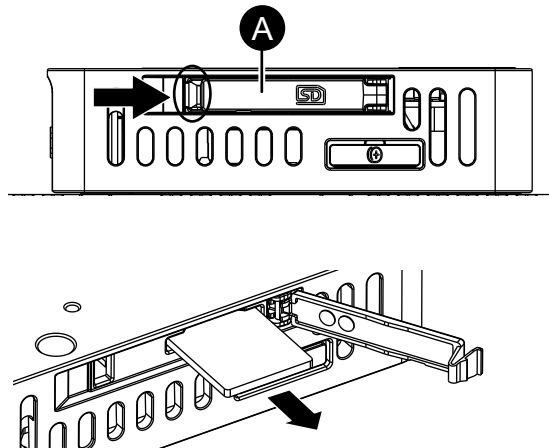


4. Push until you hear it "click".
5. Close the SD card slot cover.

Removing the SD Card

If you remove the SD card while it is in use, you risk corrupting the data. Before removing the SD card from this product, stop all operations on the SD card.

1. Make sure the SD card access LED is off, then open the SD card slot cover. To open the slot cover, lightly push the edge of the cover in the direction of the arrow.



A. SD card slot cover

2. Push the SD card once to release, then pull out the card.

NOTE: After using the SD card, store the SD card in its case or in another safe location.

3. Close the SD card slot cover.

VESA Mounting

By attaching the optional VESA mounting plate, you can mount the product to commercially available monitor arms or wall-mount adapters that comply with the VESA standard (100 x 100 mm [3.93 x 3.93 in]).

Part number: HMIZHVESA

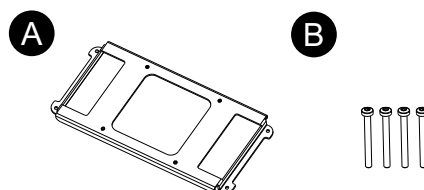
NOTE:

- VESA mounting is not covered by UL certification, marine classification standards, explosion-proof standards, RCM compliance, or other such certifications/standards.
- Before you install this optional accessory, confirm specifications such as the wall strength and the load capacity of the intended monitor arm.
- Verify that the mechanical specifications, such as vibration resistance and shock resistance, are appropriate for your installation environment.

Package Contents

Verify all items listed here are present in your package.

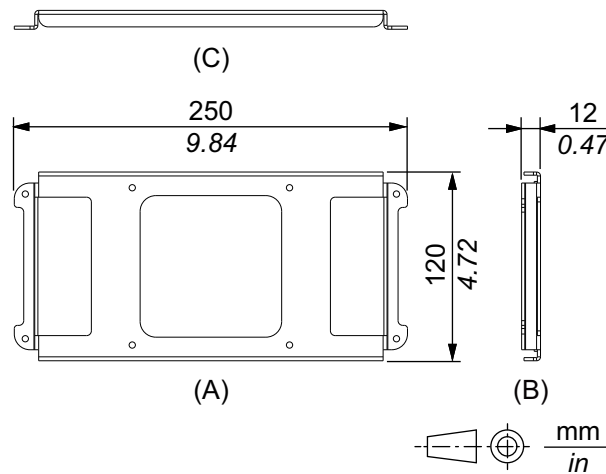
If you find anything damaged or missing, please contact customer support immediately.



A. VESA mounting plate x 1

B. M3 screw (length: 39 mm [1.53 in]) x 4

External Dimensions



- A. Front
- B. Left
- C. Bottom

Attaching the VESA Mounting Plate

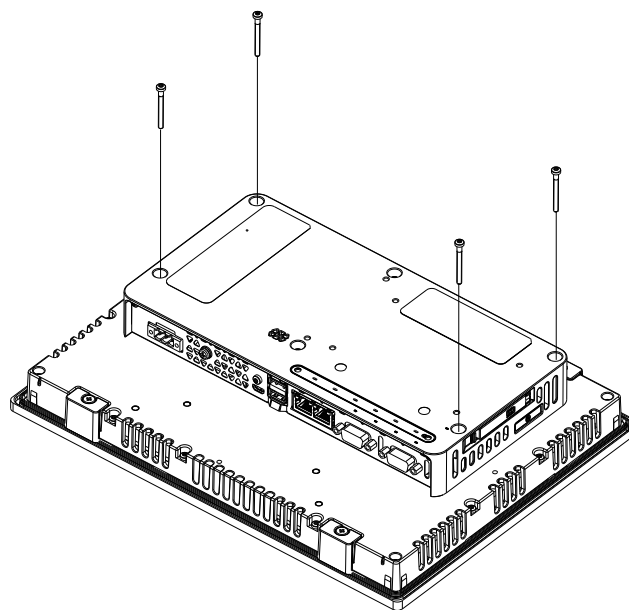
NOTICE

EQUIPMENT DAMAGE

Do not exert more torque than the amount specified.

Failure to follow these instructions can result in equipment damage.

1. Place the product on a clean and level surface with the screen facing down.
2. Remove the four screws on the rear face.
M3 screws, length: 30 mm (1.18 in)

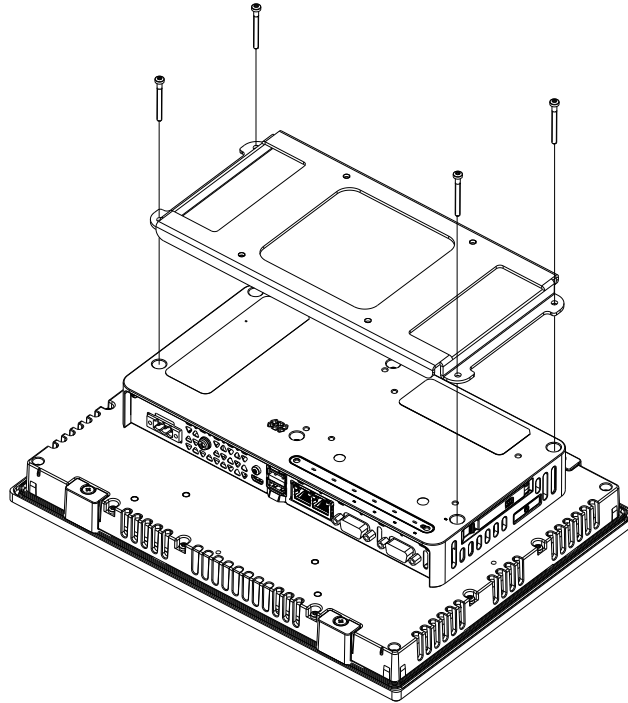


3. Align the screw holes on the VESA mounting plate with the screw holes on the BOX module, then secure the plate using the four screws included in the package.

M3 screw, length: 39 mm (1.53 in)

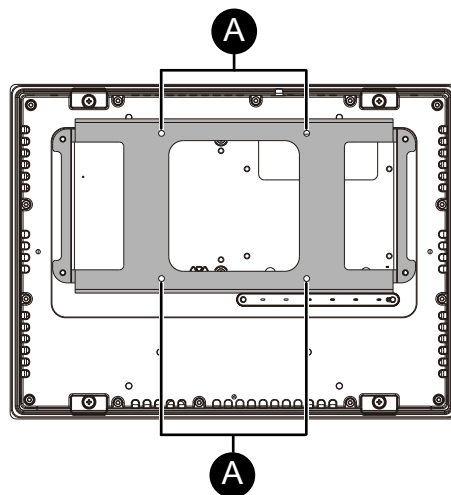
NOTE:

- Please use the correct screws.
- The necessary torque is 0.5 N•m (4.4 lb-in).



Mounting/Removing the Product on Monitor Arm

Use the four M4 screws to attach the product to the commercially available monitor arm or wall-mount adapter.



A. VESA mounting screw holes

- The effective thread depth of the screw holes on the VESA mounting plate is 10 mm (0.39 in) or less.
- The maximum tightening torque is 1.0 N•m (8.9 lb-in). Please check the specified torque values for the arm or adapter you are using, and tighten the screws to the appropriate torque.

⚠ CAUTION**RISK OF INJURY, EQUIPMENT DAMAGE**

- Do not drop the product when installing or removing it from the monitor arm or wall-mount adapter.
- Use both hands to firmly support the product when installing or removing it.
- Regularly confirm that all screws and mounting brackets are securely fastened.

Failure to follow these instructions can result in injury or equipment damage.

Maintenance

What's in This Chapter

Regular Cleaning	58
Periodic Check Points.....	58
Replacing the Installation Gasket.....	59
Replacing the Battery	59

Regular Cleaning

Cleaning This Product

<i>NOTICE</i>
<p>EQUIPMENT DAMAGE</p> <ul style="list-style-type: none"> • Power off this product before cleaning it. • Do not use hard or pointed objects to operate the touch panel. • Do not use paint thinner, organic solvents, or a strong acid compound to clean the unit. <p>Failure to follow these instructions can result in equipment damage.</p>

When this product gets dirty, wipe this product with a soft, dry cloth or a soft cloth soaked in only water and wrung tightly.

NOTE: When the product is very dirty, soak the soft cloth in water with a neutral detergent, wring the cloth tightly and wipe the product while avoiding the product label.

Periodic Check Points

Operation Environment

- Is the ambient air temperature within the allowable range? Refer to followings:
Environmental Specifications, page 28
- Is the ambient air humidity within the specified range? Refer to followings:
Environmental Specifications, page 28
- Is the operating atmosphere free of corrosive gasses?

When this product is inside a panel, the ambient environment refers to the interior of the panel.

Electrical Specifications

- Is the input voltage appropriate? Refer to followings:
Electrical Specifications, page 27
- Are all power cords and cables connected properly? Are there any loose cables?
- Are all installation fasteners holding the unit securely?
- Are there scratches or traces of dirt on the installation gasket?

Unit Disposal

When disposing this product, dispose it in a manner appropriate to, and in accordance with, your country's industrial machinery disposal/recycling standards.

Replacing the Installation Gasket

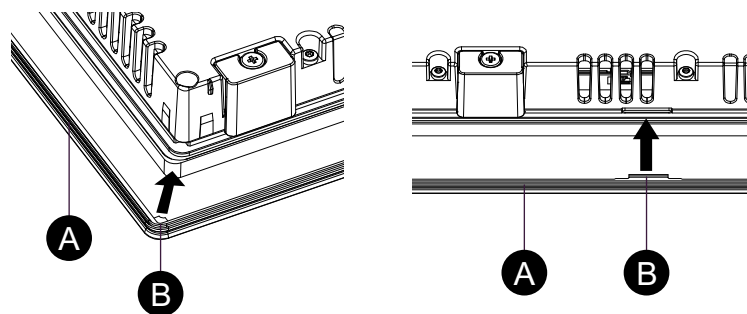
The installation gasket provides protection against dust and moisture. The gasket must be inserted correctly into the groove for moisture resistance for this product.

NOTICE
EQUIPMENT DAMAGE <ul style="list-style-type: none">• Inspect the gasket periodically as required by your operating environment.• Replace the gasket at least once a year, or as soon as scratches or dirt become visible. Failure to follow these instructions can result in equipment damage.

NOTICE
EQUIPMENT DAMAGE <p>Be careful not to stretch the gasket unnecessarily.</p> Failure to follow these instructions can result in equipment damage.

1. Place the product on a flat, level surface, with the display face pointing down.
2. Remove the gasket from the product.
3. Attach the new gasket to the product. Insert the protrusions from the four corners of the gasket into the corresponding holes in the corners of the product. Depending on your model, there may be additional protrusions. In the following, refer to the figure on the right and insert the protrusions accordingly.

NOTE: When using a tool to insert the gasket, make sure the tool does not catch the rubber gasket and cause a tear.



- A. Installation gasket
- B. Protruding point

Replacing the Battery

This product uses a primary (non-rechargeable) battery for data backup of the internal clock. If the battery is depleted, the clock data will be lost. Use only the BR2032 (manufactured by Panasonic Corporation) battery as a replacement.

⚡⚠ DANGER**HAZARD OF ELECTRIC SHOCK, EXPLOSION, OR ARC FLASH**

- Follow the procedures step by step to replace the battery correctly and safely.
- Before replacing the battery, turn off this product's power.

Failure to follow these instructions will result in death or serious injury.

⚠ DANGER**EXPLOSION, FIRE, OR CHEMICAL HAZARD**

- Use only the identical replacement battery for this product.
- Do not cause a short circuit.
- Recycle or properly dispose of used batteries.
- Do not recharge, disassemble or heat above 80 °C (176 °F).
- Use your hands or insulated tools to remove or replace the battery.
- Maintain proper polarity when inserting and connecting a new battery.

Failure to follow these instructions will result in death or serious injury.

NOTICE**LOSS OF DATA**

- Replace the battery regularly every five years after you purchase this product.
- Insert the battery before reconnecting the power supply.
- Allow only qualified personnel to replace the battery.

Failure to follow these instructions can result in equipment damage.

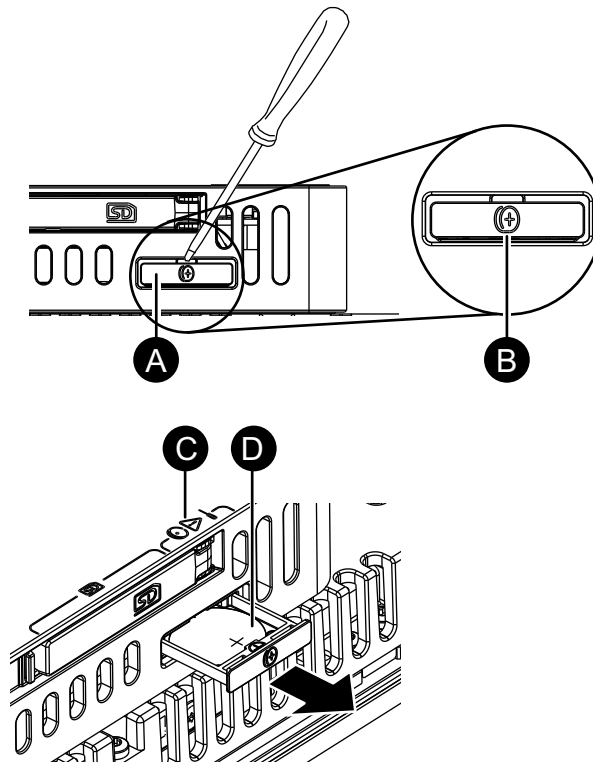
NOTE:

- Insert the battery before reconnecting the power supply. Otherwise, the clock will not work properly.
- After reconnecting the power supply, set up the clock again. Refer to Date and Time, page 80.

Battery replacement procedure

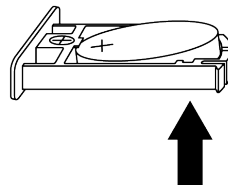
1. Disconnect the power supply from this product.
2. Touch the housing or ground connection to discharge any electrostatic charge from your body.
3. Place the product face down on a clean, flat, level surface.

4. Insert a flat head screwdriver into the groove of the battery slot to pull it out.



- A. Battery slot
- B. Battery symbol
- C. Safety alert symbol (see the previous safety messages)
- D. Battery

5. Remove the spent battery from the tray by touching the battery from the bottom.



6. Put the new battery on the tray in accordance with the polarity markings in the tray and on the battery.
7. Insert the tray into the battery slot.
8. Reconnect the power supply to this product.

System Settings

What's in This Chapter

- Initial Setup..... 62
- Using the Web Browser 64
- How to Display the System Settings..... 66
- Update the System..... 68
- Change Password..... 69
- Reset Password..... 70
- Adding/Deleting a User Account 71
- Initialization (Factory Reset)..... 72
- Backup and Restore 75
- Troubleshooting 76
- System Settings Menu..... 77

Initial Setup

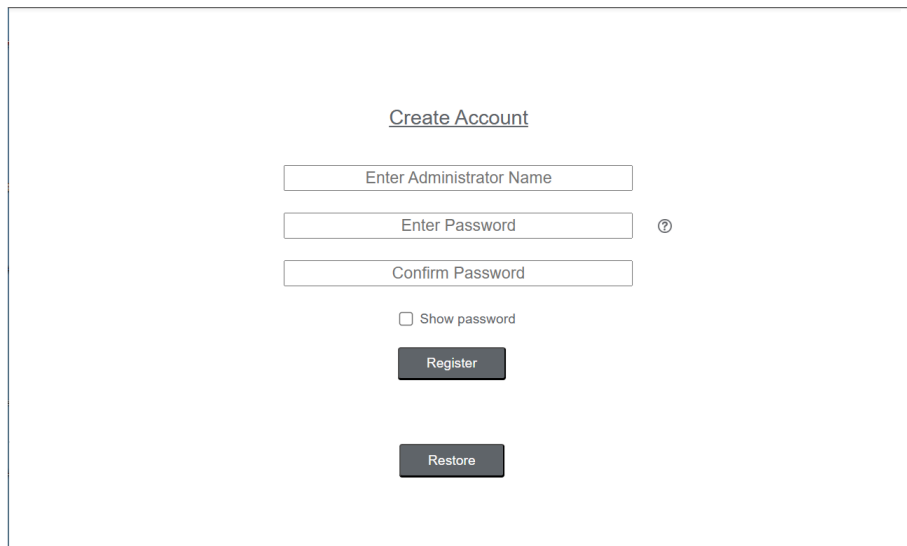
After turning on the product for the first time, perform the system setup.

In the **System Settings**, configure the product's hardware configuration and network settings such as IP addresses.

Set Up On Device

This section describes how to configure the product on screen.

1. Power on the product.
2. The **Create Account** screen is displayed. Create an administrator user account for the **System Settings**. Enter the username and password, then touch the **Register** button.



NOTE:

- The password is required to be at least 8 characters long and include at least one uppercase letter, one lowercase letter, one number, and one special character.
- You can change the password at any time. For details, refer to Change Password, page 69.

- The **Login** screen is displayed. Enter the username and the password set earlier, then touch the **Login** button.

System Settings

Login

Enter Account Name

Enter Password

Show password

Login

[Can't login](#)

- The **System Settings** menu screen is displayed. Select **System > Date and Time** to set the clock, and then touch the **Save** button.

System Settings

Date and Time

Date 2025/07/09

Time 08:34:17

Timezone UTC **Change**

Synchronized with NTP server.

Disable

NTP Server **Test**

Save

- From the menu, select **Ethernet**. Change the network settings as required and touch the **Save** button.

System Settings

Ethernet

ETH1

IP Mode
Manual

IP Address 192.168.1.80 **Subnet Mask** 255.255.255.0

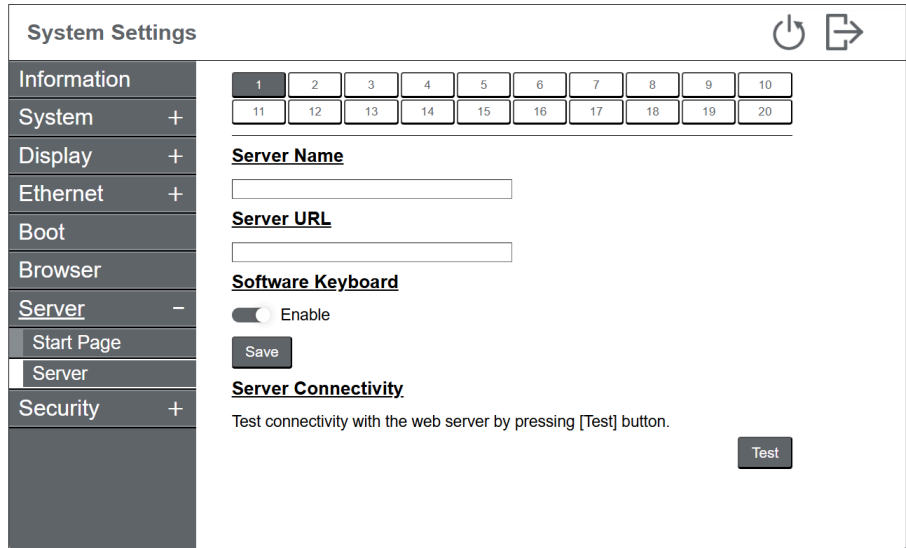
Default Gateway

DNS Settings Manual **Speed & duplex** Auto negotiation

MAC address

Save

- From the menu, select **Server > Server** to register Web server devices that are connected to the same Intranet. From the menu's **Start Page** option, you can specify the Web server that displays first after the product starts.



- From the menu, select **Browser** and adjust the settings to match the conditions of the target web server.
- Change other settings as required. For information on system settings functions, refer to *System Settings Menu*, page 77.

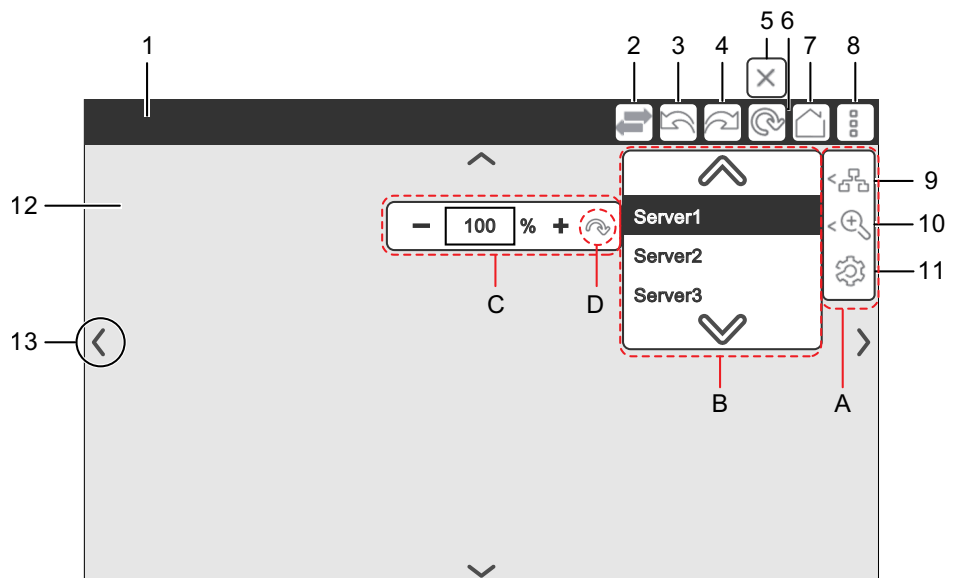
NOTE: One standard user account can be added in addition to the administrator account. For information, refer to *Adding/Deleting a User Account*, page 71. Use the account that matches the specified use, such as using a standard user account for normal operations, and using the administrator account only for system development and maintenance.

- Touch the reboot icon at the top right of the screen. The product will restart and display the screen set as the **Start Page**.

Using the Web Browser

This product displays the screen of a web server device on the intranet using a dedicated web browser.

This section describes how to use the dedicated browser for this product.



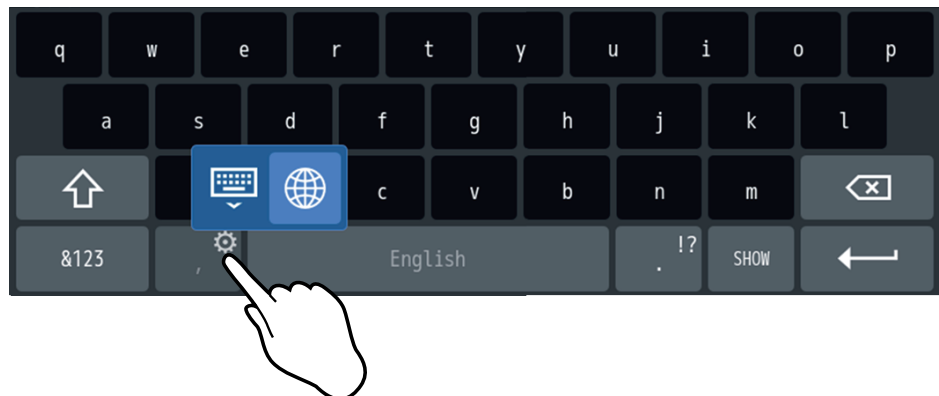
No.	Description
1	Displays the title of the web server page. If the page has no title, its URL is displayed instead. While the browser is not in use, the title bar at the top of the screen is hidden.
2	Each time you touch Switch server icon, the displayed web server page changes.
3	Return to the previous page.
4	Go to the next page.
5	The Stop loading icon appears while the web server page is loading. Touch the icon to interrupt the load operation.
6	Reload the web server page. Touch Refresh icon and when the load operation starts, the icon changes to the Stop loading icon.
7	Go to the Start page. To configure the start page, refer to Start Page, page 89.
8	Touch the Menu icon to open Submenu A.
9	Touch the Change server icon to open Submenu B, where you can select the web server to display.
10	Touch the Zoom icon to open Submenu C, where you can adjust the zoom level from 25 to 500%. The default setting is [100%]. Touch the Reset icon (D) to return the magnification to its default value.
11	Touch the Settings icon to display the System Settings . For more information, refer to System Settings Menu, page 77.
12	Displays the selected web server page. To scroll in the desired direction on the browser screen, slide your finger across the touch panel. To zoom in or out, pinch in or out on any area of the screen.
13	Touch the screen to display these scroll buttons. If you want to hide these arrows, change the settings in System Settings > Browser . For more information, refer to Browser, page 88.

When the server uses a self-signed certificate, the message dialog "**Server's certificate not trusted**" appears upon the initial connection. Touching **OK** button will prevent this message from appearing again.

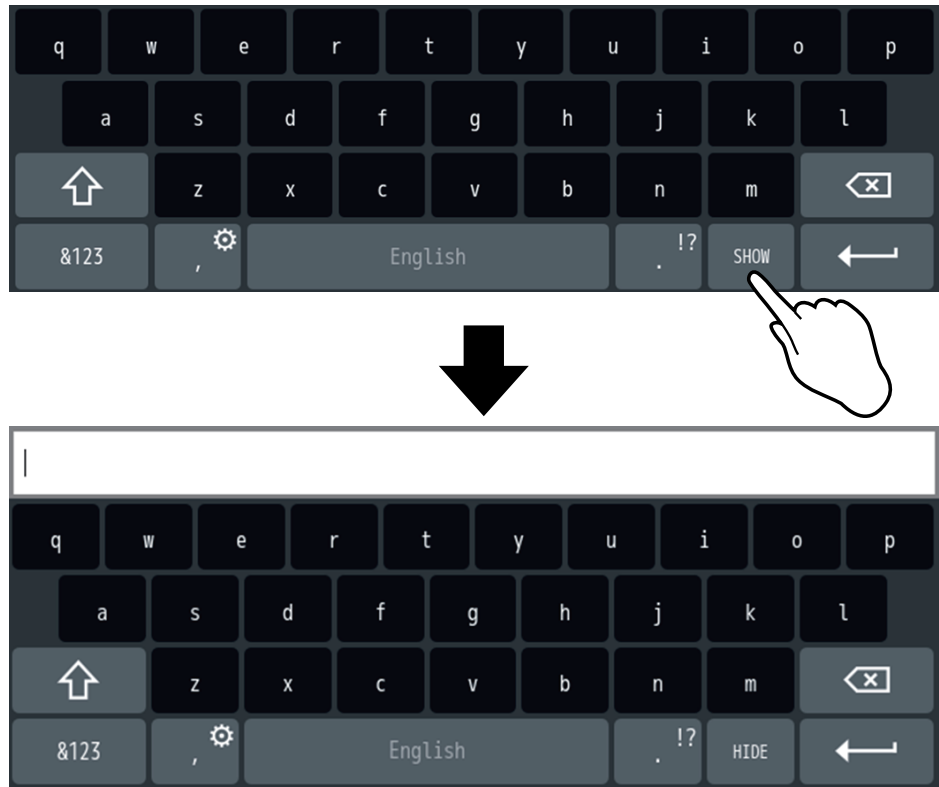
Software Keyboard

If the software keyboard is enabled, a virtual keyboard will pop up when you touch an input area on the browser.

You can switch keyboard types by touching the gear icon.



The **SHOW/HIDE** key toggles between showing and hiding the character input display area.



How to Display the System Settings

There are two ways to access the system settings after the initial setup:

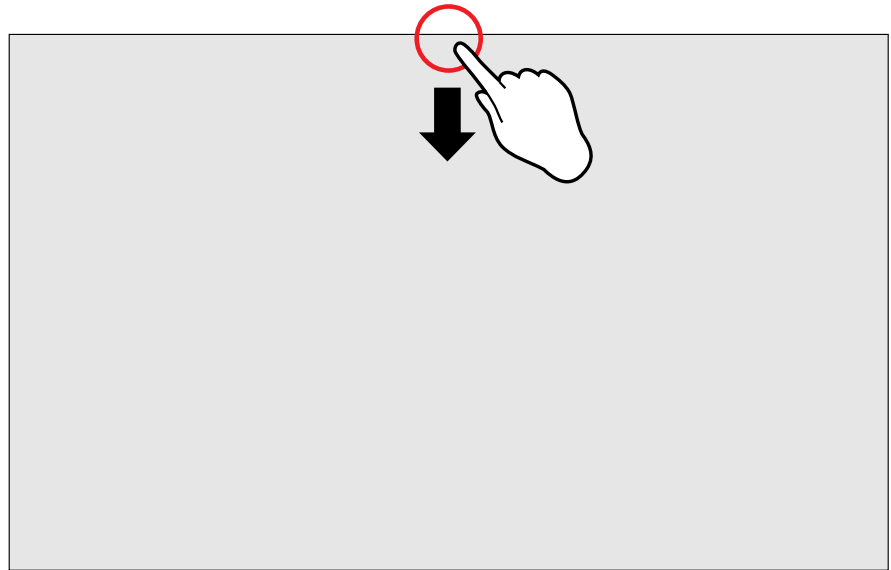
- Display the **System Settings** on the product screen.
Display On Device, page 66
- Connect the product to a computer and display the **System Settings** using a web browser on the computer.
Remote Access from a PC, page 67

NOTE: To display **System Settings** on your computer, you need to change the setting under **System Settings > Security > External Access** to enable in advance.

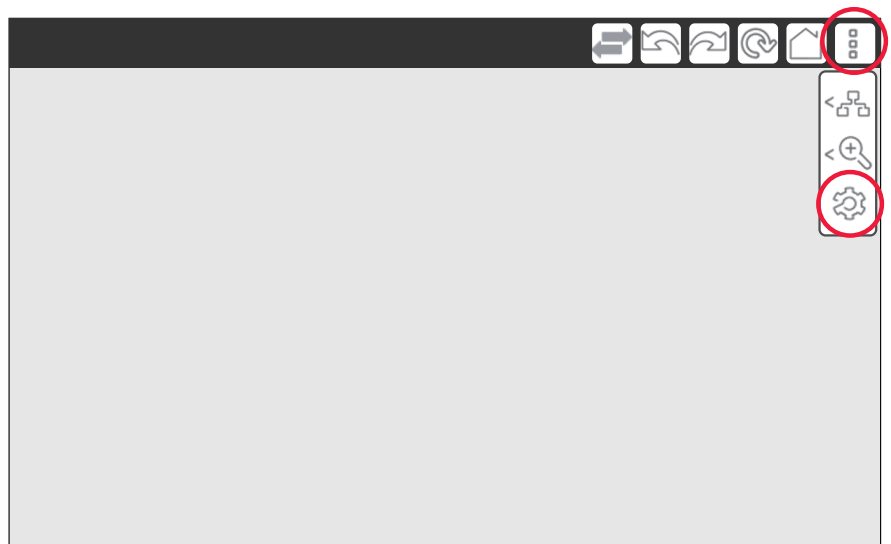
Display On Device

On the product screen, switch to the system settings screen from the web server page.

1. From the top part of the screen, slowly swipe downward with force. The title bar of the browser appears.



2. Touch the Menu icon located on the right side of the title bar. This will open a submenu. From the submenu, select the Settings icon.



3. The **System Settings** display. If "Use password" is set, the login screen displays. Enter your username and password to log in.

Remote Access from a PC

1. Attach the product to the network with an Ethernet cable in the product's LAN port. Connect the computer to the same network as the product by changing the computer's IP address and subnet mask.

NOTE: If you are using Windows 11, set the IP address as follows:

- (1) From the **Start** menu, select **Settings > Network & Internet**.
- (2) Click **Properties** next to **Ethernet**.
- (3) Click **Edit** next to **IP Address Assignment**, select **Manual** from the drop-down menu, and then click **Save**.
- (4) Enable **IPv4**, then enter the IP address, subnet mask, etc.

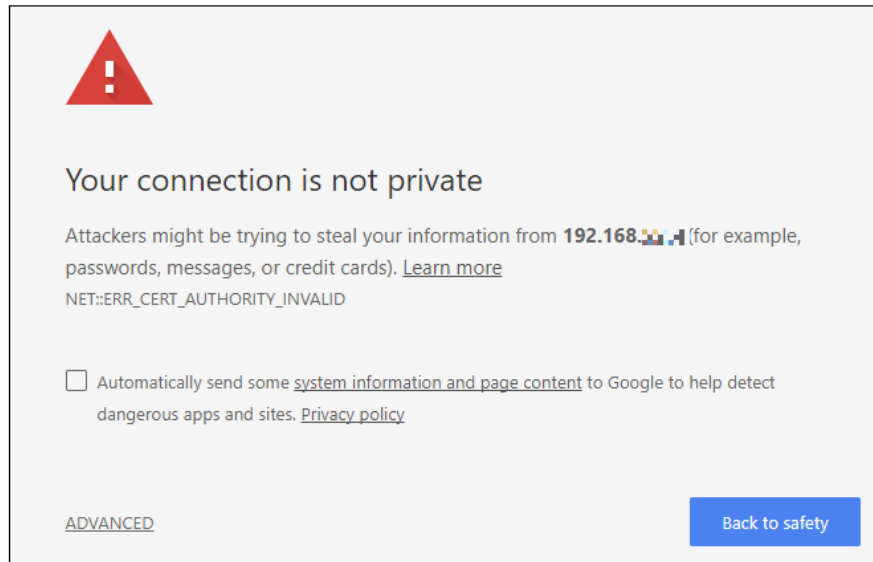
2. Open a browser on the computer and enter the following URL.

https://<IP address>:8443/

Substitute your product's IP address for "<IP address>".

NOTE: If you do not know the product's IP address, refer to *Forgot IP Address*, page 77.

3. When the connection is established, the HMI device send a certificate to use for the encryption. Since the certificate is not signed from a Certificate Authority you will get a warning message. Click on **ADVANCED** options and choose to proceed.



4. The **System Settings** display. If "**Use password**" is set, the login screen displays. Enter your username and password to log in.

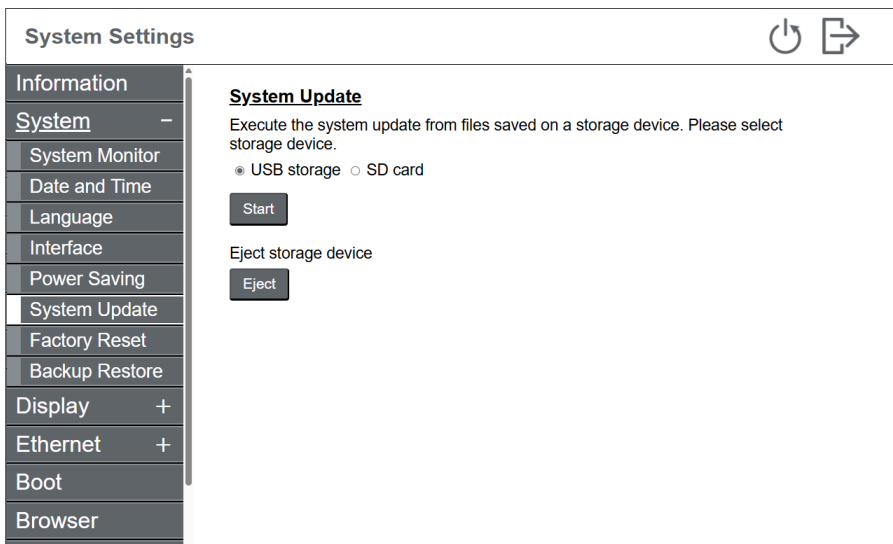
Update the System

Updates the product system to the latest version. Keep the product system up to date to maximize product safety.

To perform this function, either an optional SD card or a commercially available USB storage device is required. Please prepare external storage formatted with the FAT, FAT32, or exFAT file system.

1. Download the system update file for this product from our website.
www.se.com/ww/en/download
2. Unzip the downloaded file and save all files to the root folder of the external storage.
3. Connect the external storage to the product and turn on the product.
4. Display the **System Settings**. Refer to *How to Display the System Settings*, page 66.

- From the menu, select **System > System Update**. Then touch the **Start** button.

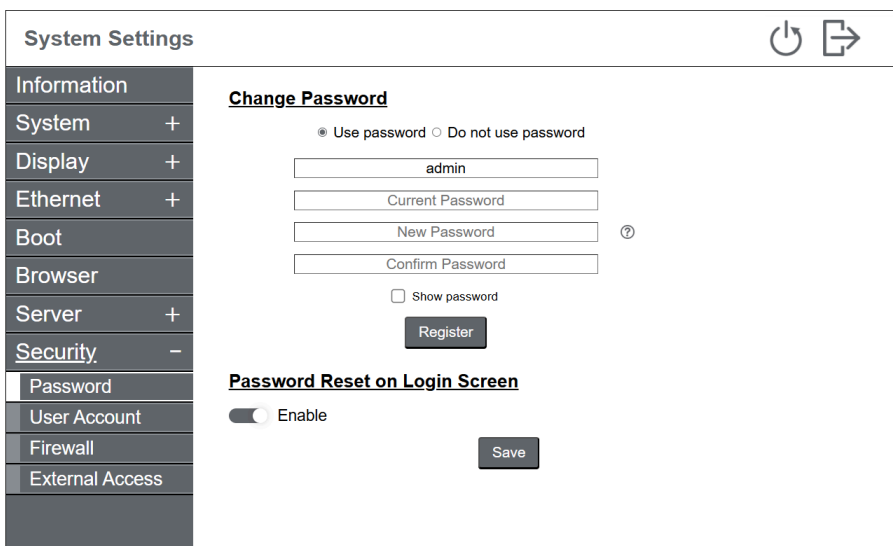


- The update process is started. Please wait a few minutes until the process is complete. The product will restart.
- Verify the system has been updated. Display the **System Settings**, then select **Information** from the menu.

Change Password

This section describes how to change the password when it is being used for authentication.

- Login to **System Settings**.
NOTE: For instructions on how to access **System Settings**, refer to How to Display the System Settings, page 66.
- From the menu, select **Security > Password**.



- Enter the current password for the logged in user.

- Enter the new password and touch the **Register** button.

NOTE:

- The password is required to be at least 8 characters long and include at least one uppercase letter, one lowercase letter, one number, and one special character.
- Select **Do not use password** to disable password authentication. If a standard user account already exists, delete the user account before disabling password authentication. To delete the standard user account, from the menu, select **Security > User Account**.
- Not using a password increases the risk of unauthorized access. To increase system security, we strongly recommend protecting it with a password.
- To change from not using a password to using one, a password reset is required. Refer to [Reset Password](#), page 70.

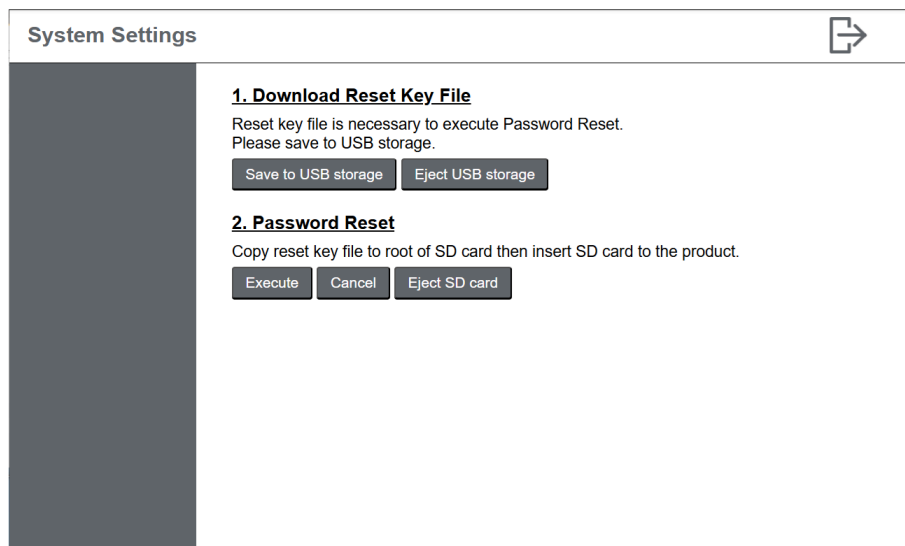
Reset Password

If you forget your password, you can reset it.

To perform this function, both an optional SD card and a commercially available USB storage device are required. Please prepare external storage formatted with the FAT, FAT32, or exFAT file system.

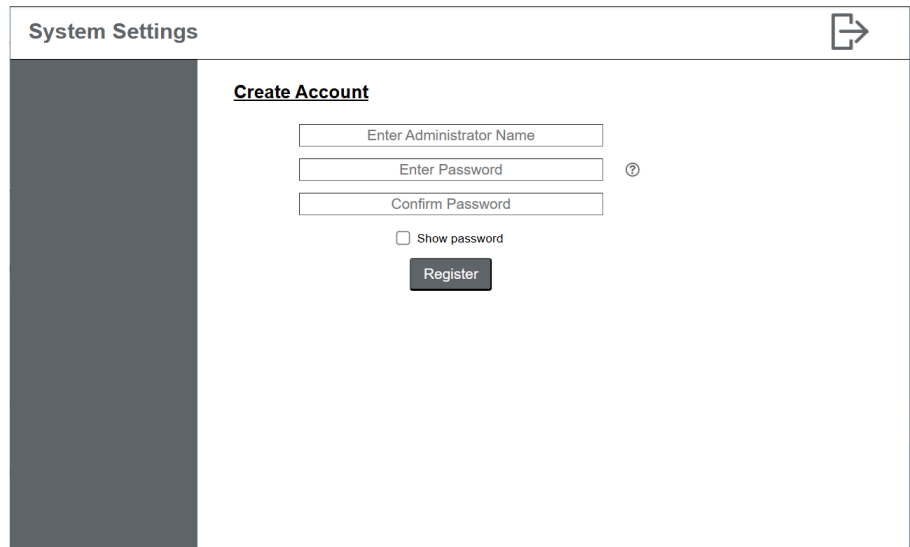
NOTE:

- If you forget the administrator password when **Password Reset on Login Screen** is disabled, you will not be able to reset the password or restore data in the product.
 - Resetting a password also resets all the accounts.
 - To change from not using a password to using one, a password reset is required. Select **Security > Password** from the menu and skip to step 2 below.
- In the **System Settings** login screen, touch **Can't login**. The following screen is displayed.



- Connect the USB storage to this product.
- Touch the **Save to USB storage** button. The reset key file is saved to the USB storage.
- Touch the **Eject USB storage** button. Then make sure the USB storage LED is off.
- Remove the USB storage from the product and connect it to a computer.

6. Copy the key file from the USB storage and paste it into the root directory of the SD card.
7. Remove the SD card from the computer and insert it into the product.
8. Touch the **Execute** button. The password reset is performed.
9. The **Create Account** screen is displayed. Enter the username and password to recreate the administrator account.



NOTE: The reset key file cannot be used to reset other products. Please perform a reset, product by product.

Adding/Deleting a User Account

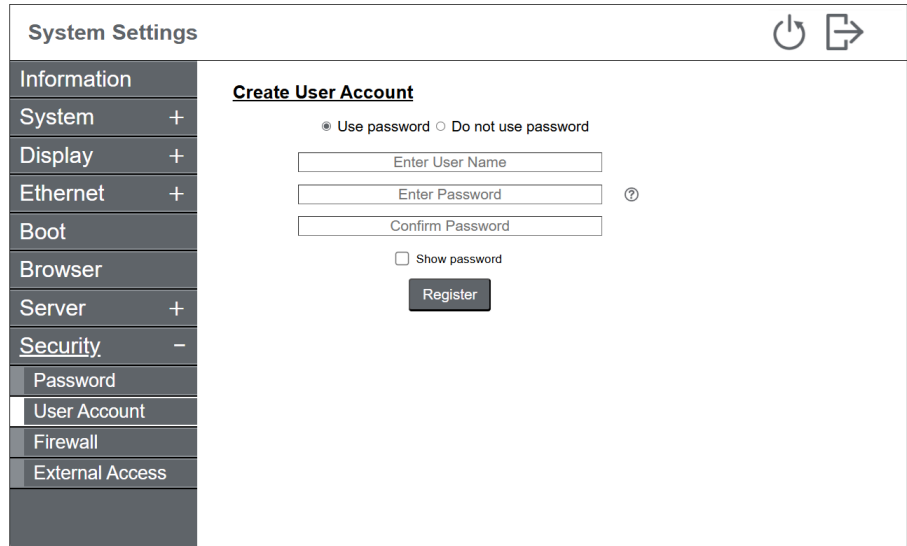
Create a standard user account separate from the administrator account created during setup. Only the administrator can add and delete user accounts.

NOTE:

- Only one standard user account can be added.
 - If the administrator account is set to not use a password, a standard user account cannot be created.
 - To protect your product from unintentional changes to the configuration, we recommend that you use the standard user account for normal product operations.
 - The password is required to be at least 8 characters long and include at least one uppercase letter, one lowercase letter, one number, and one special character.
 - If you forget the password, delete the standard user account and create a new one. Please note that if you perform the password reset function, the administrator account will also be deleted.
 - When the standard user account does not use a password, it is used by default without the login screen.
1. Login to **System Settings**.

NOTE: For instructions on how to access **System Settings**, refer to How to Display the System Settings, page 66.

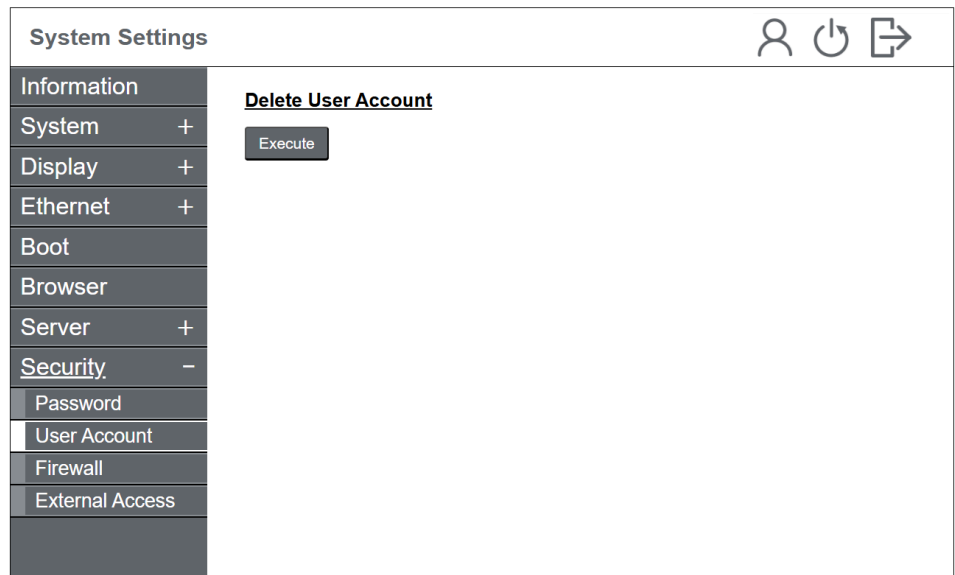
2. From the menu, select **Security > User Account**.



3. Enter the username and password, then touch **Register** button.

Delete user account

From the menu, select **Security > User Account**.



Initialization (Factory Reset)

This procedure resets the product to the state it was in when it was purchased. The data stored in the product will be erased and the system settings will be initialized to the factory default settings.

Only administrators can perform a factory reset.

The method for performing the factory reset depends on whether password authentication is used to log in to the system settings.

Factory Reset (When password is used), page 73

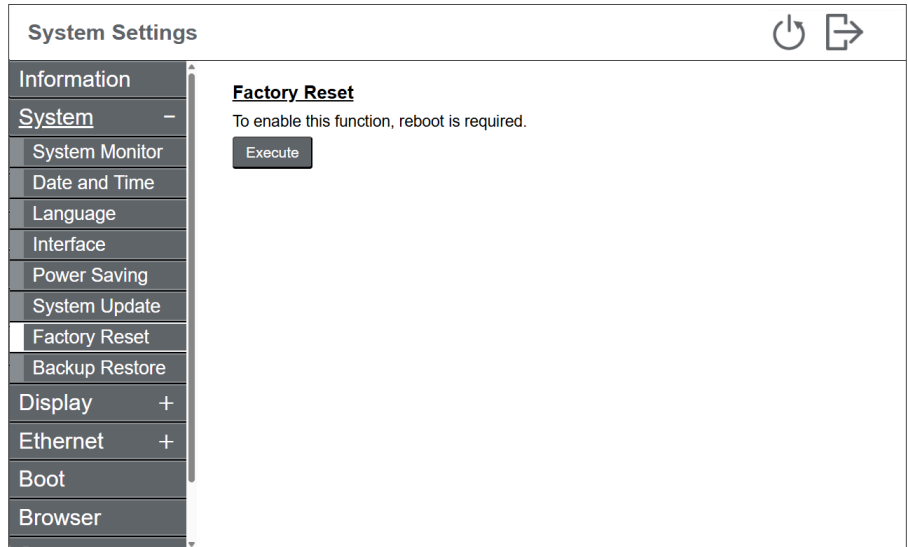
Factory Reset (When password is not used), page 74

Factory Reset (When password is used)

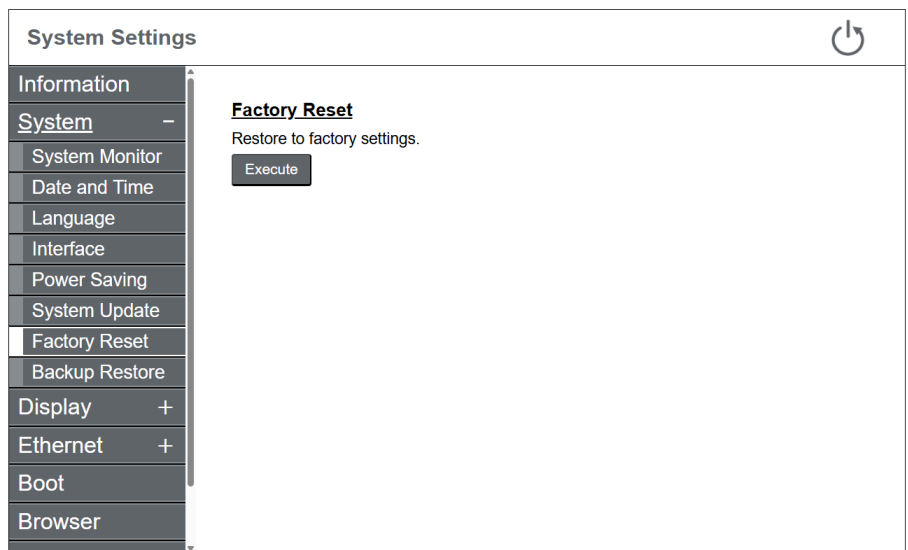
1. Login to **System Settings**.

NOTE: For instructions on how to access **System Settings**, refer to How to Display the System Settings, page 66.

2. From the menu, select **System > Factory Reset**.



3. Touch the **Execute** button. The product reboots.
4. Login to **System Settings** again.
5. From the menu, select **System > Factory Reset**.



6. Touch the **Execute** button. The factory reset is performed and the product reboots.

NOTICE
LOSS OF DATA Do not turn off the power during initialization. Failure to follow these instructions can result in equipment damage.

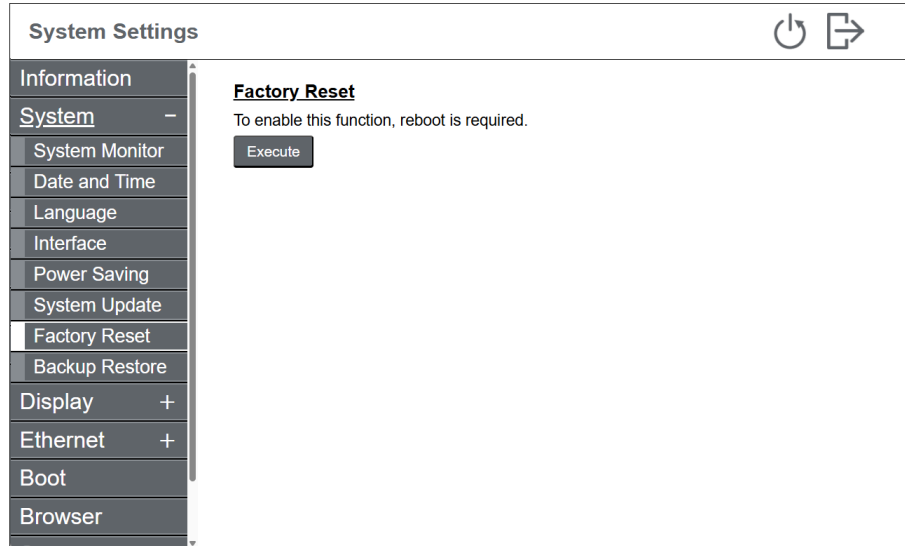
Factory Reset (When password is not used)

To perform this function, both an optional SD card and a commercially available USB storage device are required. Please prepare external storage formatted with the FAT, FAT32, or exFAT file system.

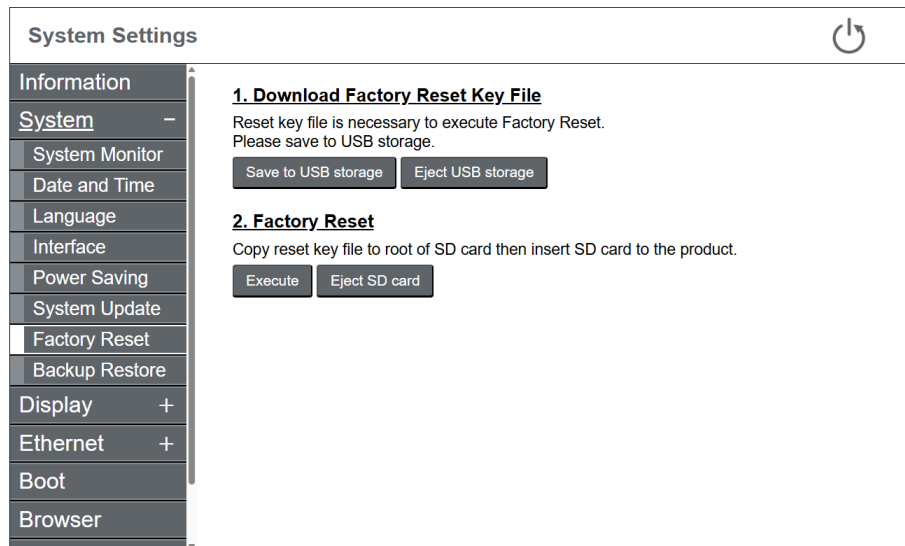
1. Display **System Settings**.

NOTE: For instructions on how to access **System Settings**, refer to How to Display the System Settings, page 66.

2. From the menu, select **System > Factory Reset**.



3. Touch the **Execute** button. The product reboots.
4. From the menu, select **System > Factory Reset**.



5. Connect the USB storage to this product.
6. Touch the **Save to USB storage** button. The reset key file is saved to the USB storage.
7. Touch the **Eject USB storage** button. Then make sure the USB storage LED is off.
8. Remove the USB storage from the product and connect it to a computer.
9. Copy the key file from the USB storage and paste it into the root directory of the SD card.
10. Remove the SD card from the computer and insert it into the product.

11. Touch the **Execute** button. The factory reset is performed and the product reboots.

NOTICE
LOSS OF DATA Do not turn off the power during initialization. Failure to follow these instructions can result in equipment damage.

NOTE: The reset key file cannot be used to reset other products. Please perform a reset, product by product.

Backup and Restore

Backs up the data in the product to external storage. You can also use the backup file to restore the product.

Only administrators can perform backups or restores.

To perform this function, either an optional SD card or a commercially available USB storage device is required. For the recovery media, please prepare a dedicated external storage device that meets the following conditions.

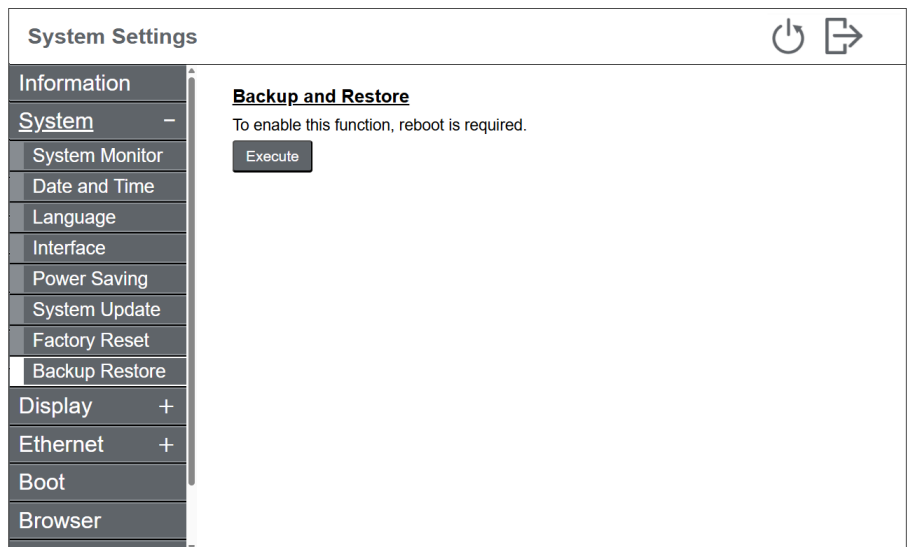
- 4 GB or more of free space
- Formatted with the FAT, FAT32, or exFAT file system

Creating recovery media

1. Login to **System Settings**.

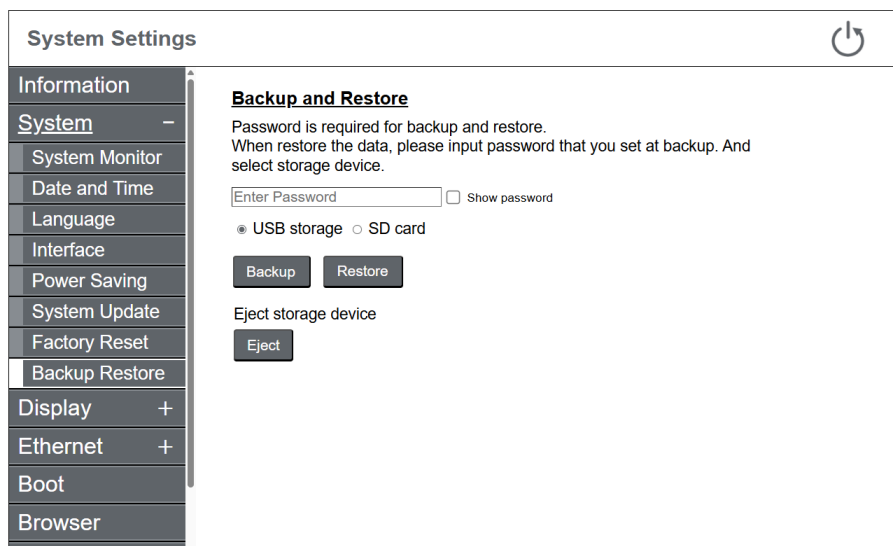
NOTE: For instructions on how to access **System Settings**, refer to How to Display the System Settings, page 66.

2. From the menu, select **System > Backup Restore**.



3. Touch the **Execute** button. The product reboots.
4. Connect the external storage to the product.

5. Login to the **System Settings**. From the menu, select **System > Backup Restore**.



6. Set a password for the backup and select the external storage to save to.
7. Touch the **Backup** button. A backup file is created in the external storage.
8. Touch the **Eject** button. Make sure the corresponding LED is off, and then remove the external storage from the product.

Restoring the product using recovery media

9. Connect the external storage, which has the backup file, to the product.
10. Log in to the **System Settings**. From the menu, select **System > Backup Restore**. (Same as steps 1 to 6 above.)
11. Touch the **Restore** button. After restore is performed, the product reboots.

NOTICE

LOSS OF DATA

Do not turn off the power during backup or restore process.

Failure to follow these instructions can result in equipment damage.

Troubleshooting

Product does not boot up properly

If for some reason the product does not boot up properly or you cannot open the **System Settings**, please try the following.

Within 15 seconds of turning on the product, or as soon as the boot screen (splash screen) disappears, double-tap the bottom-left or bottom-right corner of the screen. The product will open the **System Settings**.

NOTE: If the screen does not change after a double-tap, try tapping repeatedly.



If you prepared recovery media, use it to perform a restore.

Refer to [Backup and Restore](#), page 75.

If you have not performed a backup, perform a factory reset.

Refer to [Initialization \(Factory Reset\)](#), page 72.

Forgot Password

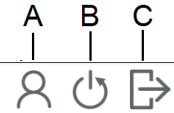
Reset the password. For instructions, refer to [Reset Password](#), page 70.

Forgot IP Address

You can open the **System Settings** to check the IP address.

System Settings Menu

This section describes the functions provided in the **System Settings**.



System Settings

Information	<p>System Status</p> <p>System Message : System is running.</p> <p>System Version : v1.0.0.0.1</p> <p>ETH1</p> <p>IP Mode : MANUAL</p> <p>IP Address : 192.168.1.80</p> <p>Subnet Mask : 255.255.255.0</p> <p>ETH2</p> <p>IP Mode : DISABLED</p> <p>IP Address : -:-:-</p> <p>Subnet Mask : -:-:-</p>
System +	
Display +	
Ethernet +	
Boot	
Browser	
Server +	
Security +	

	Function	Description
A	Switching accounts	Switch user accounts. This function is displayed if you have a standard user account in addition to the administrator account.
B	Reboot	Reboot the product.
C	Exit	Log out and return to the specified start page.

Menu		Description
Information	-	Displays the system status, version information, etc.
System	System Monitor	Displays the number of times this product has been started, the total operating time, the temperature inside the product, etc. This also exports the system settings operation log.
	Date and Time	Set the product's internal clock.
	Language	Select the user interface language for the system settings.
	Interface	Configure the buzzer sound for touch operations and the settings for using external USB keyboards.
	Power Saving	Configure the product's behavior when it is not in use.
	System Update	Update the firmware and operating system of the product.
	Factory Reset ^{*1}	Resets the product to the state it was in when it was purchased.
System	Backup Restore ^{*1}	Back up the data in the product to a USB storage device and use the backup file to restore the product.
	Display1	Configure display settings such as brightness and touch areas.
Ethernet ^{*1}	ETH1/ETH2	Configure the Ethernet settings.
Boot	-	Change the default boot screen displayed at product startup.
Browser	-	Configure the display settings for the browser.
Server	Start Page	Select the initial screen displayed after the product starts up.
	Server	Register the web servers to connect.

Menu		Description
Security	Password	Change the login password.
	User Account ^{*1*2}	Register or delete standard user accounts separate from the account with administrator privileges.
	Firewall ^{*1}	Configure settings related to the firewall.
	External Access ^{*1}	Set whether to allow remote access to system settings.

*1 Displays only if you are logged in with an administrator account.

*2 If password authentication is not used, this setting is not displayed.

Information

Displays the system status, version information, etc.

System Settings

Information	System Status
System +	System Message : System is running. System Version :
Display +	
Ethernet +	ETH1 IP Mode : MANUAL IP Address : 192.168.1.80 Subnet Mask : 255.255.255.0
Boot	
Browser	ETH2 IP Mode : DISABLED IP Address : ---- Subnet Mask : ----
Server +	
Security +	

Function	Description
System Status	The system status and version information.
ETH1/ETH2	The network properties.

System

System Monitor

Displays the number of times this product has been started, the total operating time, the temperature inside the product, etc.

System Settings
⏻ ↗

- Information
- System** -
- System Monitor
- Date and Time
- Language
- Interface
- Power Saving
- System Update
- Factory Reset
- Backup Restore
- Display +
- Ethernet +
- Boot
- Browser

System Statistics

Boot times : 659
 Current operation time : 0 [h]
 Accumulated operation time : 251 [h]
 Memory usage : 502 / 921 [MB]
 Internal temperature : 34.8 [°C]

Free Memory

Automatically restart the browser if the remaining memory falls below the threshold.

% (0-10, 0: Disable) Save

Export System Log

Save log file to storage device

USB storage SD card

Export Eject

Function	Description
System Statistic	Displays the number of times this product has been started, the total operating time, the temperature inside the product, etc. Boot times and Accumulated operation time are not cleared even though you perform a factory reset or restore.
Free Memory	Set to automatically restart the product when the remaining memory falls below the specified percentage. Restarting the product clears the temporary data and frees up memory. Default: 0 (Disable)
Export System Log	Exports the system settings operation log to external storage. To remove external storage after exporting the log data, touch the Eject storage device button. Make sure the corresponding LED is off, and then remove the external storage from the product.

Date and Time

Set the clock on the product.

System Settings
⏻ ↗

- Information
- System
- System Monitor
- Date and Time**
- Language
- Interface
- Power Saving
- System Update
- Factory Reset
- Backup Restore
- Display +
- Ethernet +
- Boot
- Browser

Date and Time

Date 📅
 Time 🕒
 Timezone UTC Change

Synchronized with NTP server.
 Disable

NTP Server Test

Save

Function	Description
Date/Time	When the NTP server is disabled, set the date and time on the product.
Timezone	Select the time zone (region) in which the product is used.
Synchronized with NTP Server	Select whether to adjust the time so that it is synchronized with an NTP server. Default: Disable
NTP Server	Set the NTP server.

Language

Select the user interface language for the system settings.

The screenshot shows the 'System Settings' application. On the left is a sidebar with a list of settings categories: Information, System (with a minus sign), System Monitor, Date and Time, Language (highlighted), Interface, Power Saving, System Update, Factory Reset, Backup Restore, Display (+), Ethernet (+), Boot, and Browser. The main content area is titled 'Language' and contains a dropdown menu currently set to 'English' and a 'Save' button below it.

Function	Description
Language	Select either English or Japanese for the user interface language of the system settings. Default: English

Interface

The screenshot shows the 'System Settings' application. On the left is a sidebar with a list of settings categories: Information, System (with a minus sign), System Monitor, Date and Time, Language, Interface (highlighted), Power Saving, System Update, Factory Reset, Backup Restore, Display (+), Ethernet (+), Boot, and Browser. The main content area is titled 'Interface' and contains two sections: 'Touch Buzzer' with a description 'Enables buzzer sound for touch panel operation.' and a toggle switch set to 'Enable', and 'Keyboard Type' with a description 'Select Keyboard type from US(101) or JP(106) or Azerty. Note: The setting is only for USB keyboard.' and a dropdown menu set to 'US 101'. There are 'Save' buttons for both sections.

Function	Description
Touch Buzzer	Change the settings for the beep that sounds when operating the touch panel. Default: Enable
Keyboard Type	When a USB keyboard is connected to the product, select the keyboard type from US (101) , JP (106) , or Azerty . Default: US (101) NOTE: The keyboard type setting takes effect after the product is restarted.

Power Saving

System Settings
⏻ ↗

- Information
- System -
- System Monitor
- Date and Time
- Language
- Interface
- Power Saving
- System Update
- Factory Reset
- Backup Restore
- Display +
- Ethernet +
- Boot
- Browser

Mode

None Save

Timer

Enter the amount of time 1 to 300 minutes before the screen saver is activated.

Save

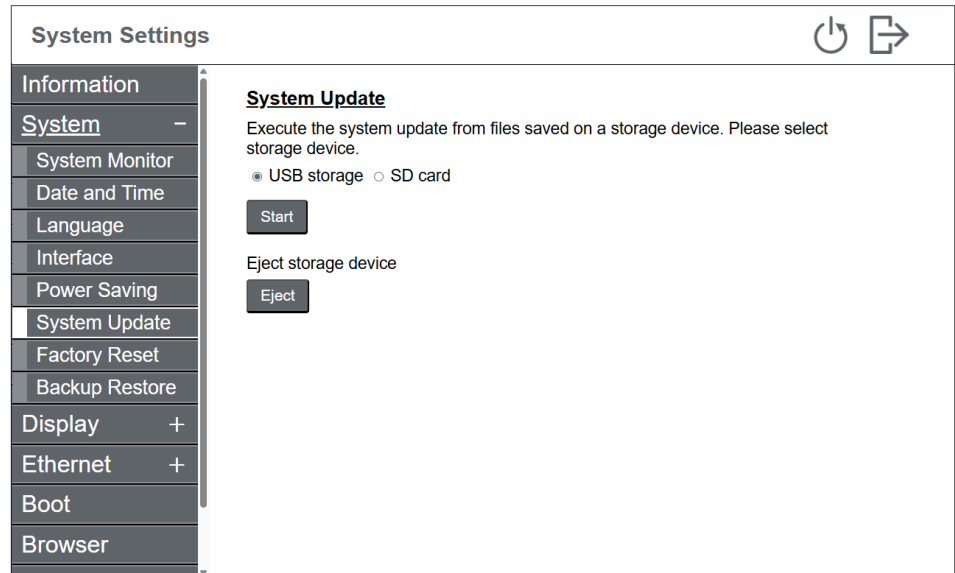
Function	Description
Mode	Set up the screen saver status for when the time defined in the Timer field elapses. Selecting Backlight off , turns off the backlight. Default: None
Timer	Set the duration (1 to 300 minutes) of inactivity (no touch operations) before the screen saver starts. Default: 0

System Update

Updates the firmware and operating system of this product.

For instructions, refer to [Update the System](#), page 68.

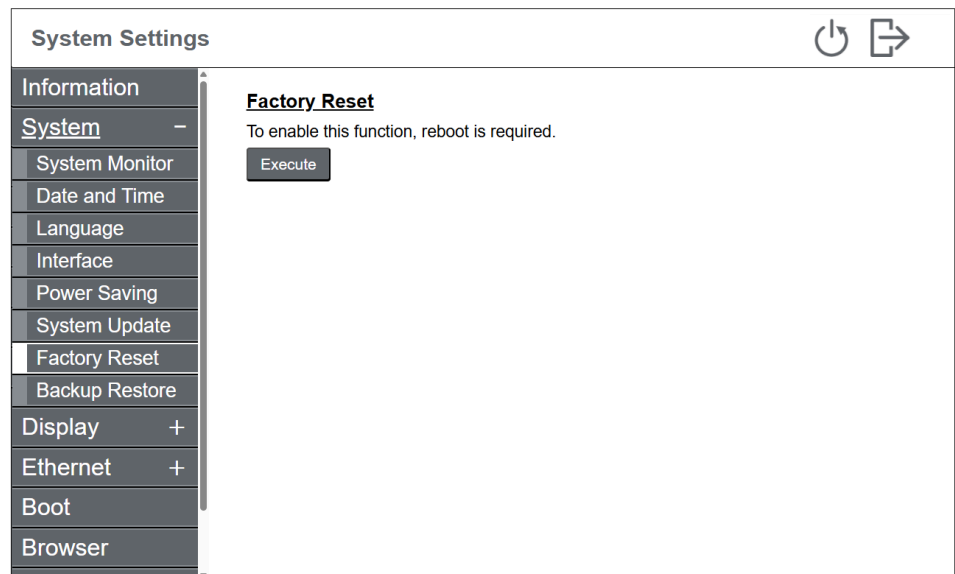
To perform this function, either an optional SD card or a commercially available USB storage device is required. Please prepare the external storage formatted with the FAT, FAT32, or exFAT file system.



Factory Reset

You can restore this product to the state it was in at the time of purchase. Only an administrator account can perform this function.

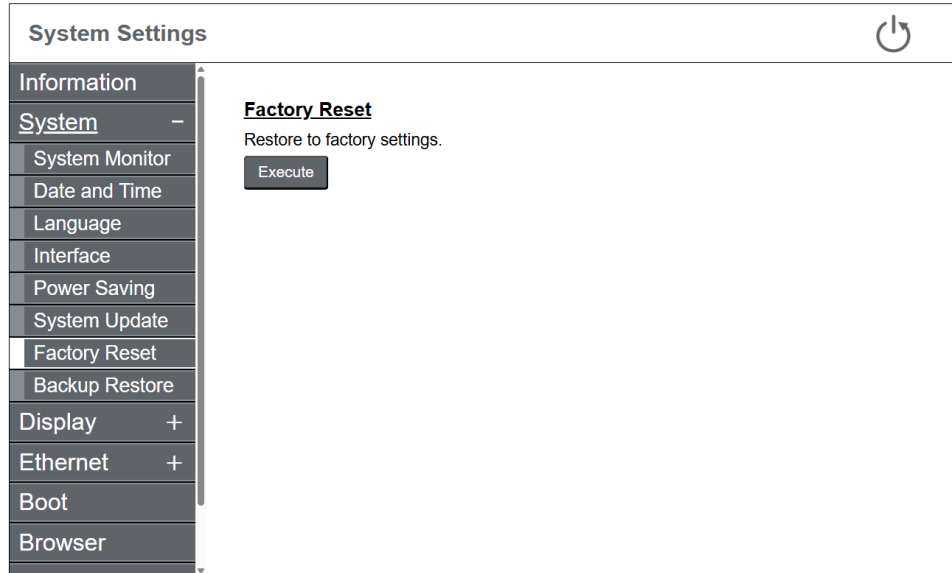
To perform a factory reset, rebooting the product is required.



After rebooting, the steps for factory reset differ depending on whether you are using a password or not.

When using password

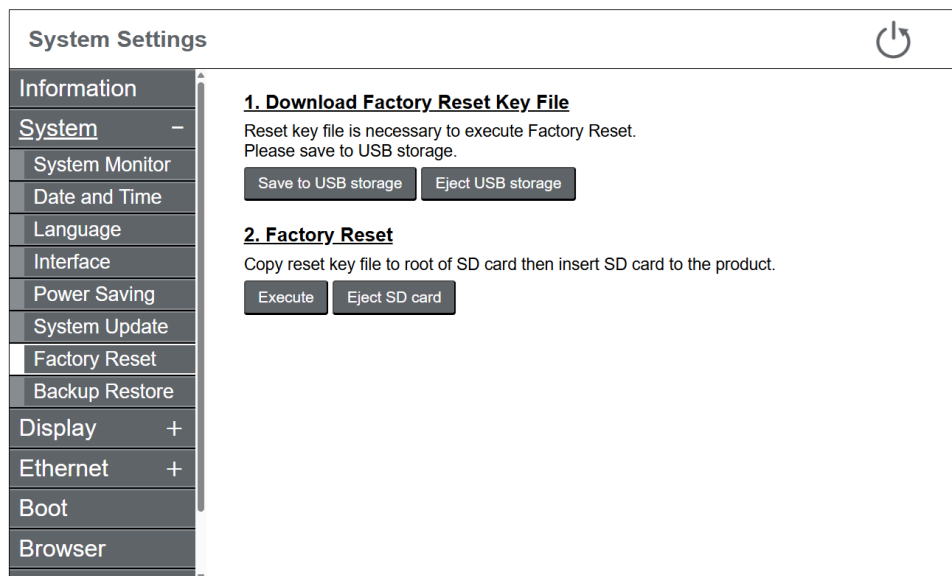
For instructions, refer to [Factory Reset \(When password is used\)](#), page 73.



When NOT using password

To perform a factory reset, create a reset key file and save it to external storage.

For instructions, refer to Factory Reset (When password is not used), page 74.



Function	Description
Save to USB storage	Create a reset key file and save it to the root of the USB storage device.
Eject USB storage	Disconnect (unmount) the USB storage. Confirm the USB storage LED is off, then remove the USB storage device from the product.
Execute	Use the reset key file in the SD card to perform a factory reset.
Eject SD card	Disconnect (unmount) the SD card. Confirm the SD card access LED is off, then remove the SD card from the product.

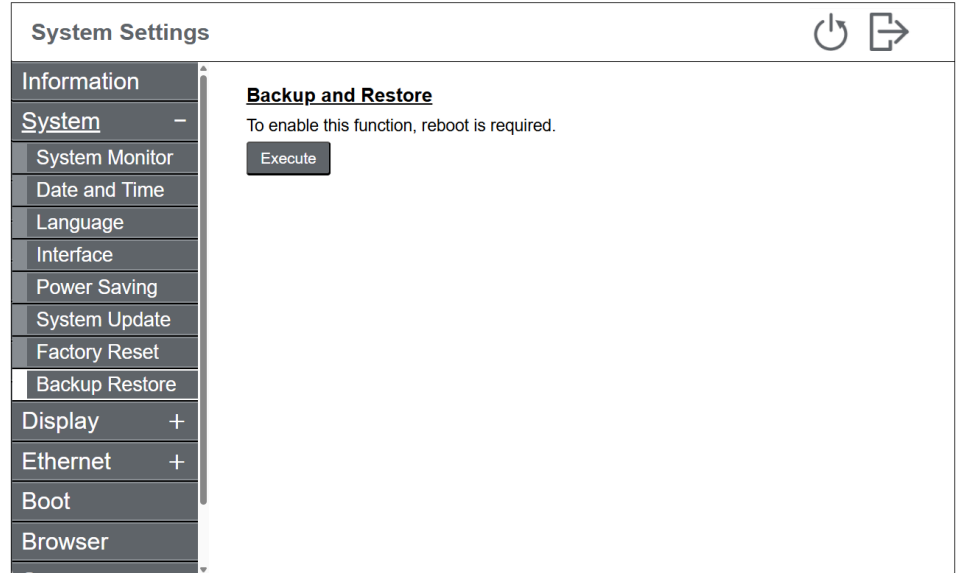
NOTE: The reset key file cannot be used to reset other products. Please perform a reset, product by product.

Backup Restore

Back up data in the product to an external storage, and restore the product using the backup file in the external storage. Only an administrator account can perform this function.

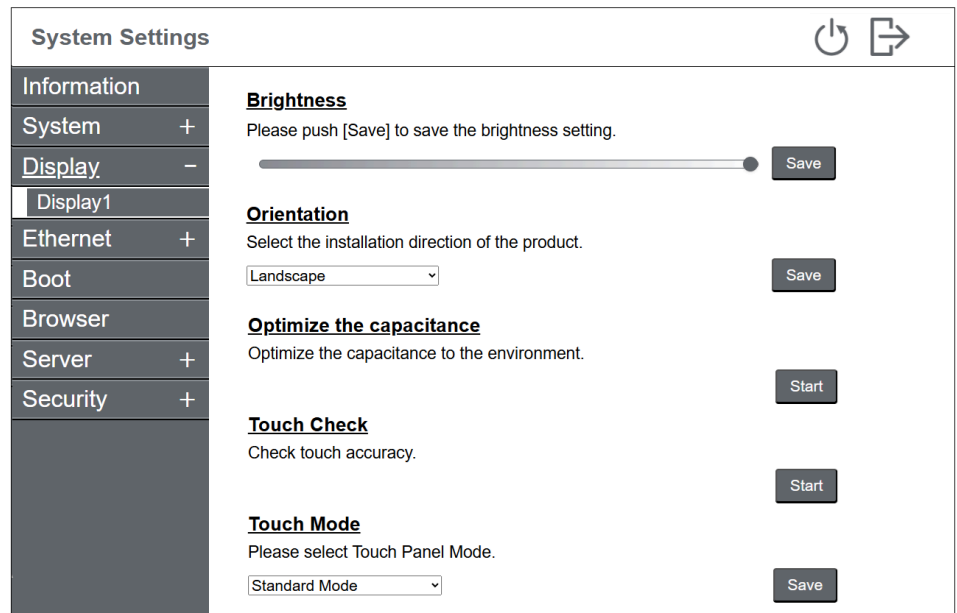
To perform backup or restore, rebooting the product is required.

For instructions, refer to Backup and Restore, page 75.



Display

Configure display settings such as brightness and touch areas.



Function	Description
Brightness	Set the display brightness.
Optimize the capacitance	Optimizing for capacitive touch. Wipe the screen clean to begin. Do not touch the screen until the process is complete. NOTE: This setting is visible on the device screen only. It does not appear when you access the System Settings remotely from a personal computer.

Function	Description
Orientation	Select either Landscape or Portrait for the product's installation orientation. Default: Landscape
Touch Check	Check the operation of the touch panel. The touched position will be highlighted. NOTE: This setting is only visible on the device's screen. It doesn't appear when you access the System Settings remotely from a personal computer.
Touch Mode	The following three modes are available to support your usage environment. Select the mode according to your usage environment. Standard Mode: Suitable for touch operations using your finger. Water Detection Mode: Mode where touch input becomes disabled when there are liquids, such as drops of water, on the screen. Suitable to prevent touch panel mis-operation due to liquids on the screen. After wiping the liquid or other foreign substance from the screen, touch input becomes enabled in about 2 seconds. Glove Mode: Mode suitable for use with gloves, such as rubber gloves. Default: Standard Mode NOTE: <ul style="list-style-type: none"> Depending on the type of glove, operation may not be possible. Because touch sensitivity is increased in this mode, it is more susceptible to environmental noise.

Ethernet

Configure the network settings. Only an administrator account can perform this function.

System Settings
⏻ ↗

Information	IP Mode <input type="text" value="Manual"/>
System +	IP Address <input type="text" value="192.168.1.80"/> Subnet Mask <input type="text" value="255.255.255.0"/>
Display +	Default Gateway <input type="text" value="..."/>
Ethernet -	DNS Settings <input type="checkbox"/> Manual Speed & duplex <input type="text" value="Auto negotiation"/>
ETH1	MAC address <input type="text" value="..."/>
ETH2	
Boot	
Browser	
Server +	<input type="button" value="Save"/>
Security +	

Function	Description
IP Mode	Select from Manual , Auto , or Disable . Default of ETH1: Manual Default of ETH2: Disable
IP Address	Set the IP address when you select Manual for the IP Mode . Default of ETH1: 192.168.1.80

Function	Description
	NOTE: Set the IP addresses so that ETH1/ETH2 are on different segments (network portions of the IP addresses).
Subnet Mask	Set the subnet mask when you select Manual for the IP Mode . Default of ETH1: 255.255.255.0
Default Gateway	Set the default gateway when you select Manual for the IP Mode .
DNS Settings	Select how the DNS server is specified, either Manual or Auto . Default of ETH1: Manual
Speed & duplex	Select the communication settings. <ul style="list-style-type: none"> • Auto negotiation (default) • 100Base Full duplex • 100Base Half duplex • 10Base Full duplex • 10Base Half duplex
MAC address	The MAC address is displayed.

Boot

System Settings

Information	
System +	
Display +	
Ethernet +	
Boot	
Browser	
Server +	
Security +	

Boot Image Mode

Select "Image" to display an arbitrary image at startup, or "None" to not display an image.

Image

Boot Image Data

Load the image data "Bootimg.png" to be displayed at startup from USB storage.

Delay Time

Enter the delay time from 0 to 300 seconds after the unit starts up until the page set in Start Page is displayed.

Function	Description
Boot Image Mode	<p>Change the default boot screen that displays at product startup. Select None to keep the default boot screen, or select Image to display a custom screen.</p> <p>Default: Image</p>
Boot Image Data	<p>When Boot Image Mode is set to Image, touch the Load button to import an image file (file name: Bootimg.png) from a USB storage device.</p> <p>To the root folder of the USB storage device, save the file that meets the following conditions.</p> <ul style="list-style-type: none"> • File size: Maximum 12 MB • File format: PNG • Image resolution: Maximum 2048 x 2048. Create an image with a resolution that matches the display resolution.
Delay Time	<p>Set the delay time (0 to 300 seconds) between powering on the device and displaying the page specified in the Start Page field.</p> <p>If the Delay Time is set to anything other than 0, after powering on, the screen will change as follows:</p> <p>Boot image > Delay page > Start page</p> <p>However, if you select System Settings as the start page, the System Settings screen will display immediately after the boot image, regardless of the Delay Time setting.</p> <p>To set the start page, refer to <i>Start Page</i>, page 89.</p>

Browser

System Settings

Information	<p>Preferred Language (Locale)</p> <p>Choose preferred Language to get appropriate response from web servers. Note: This setting doesn't affect to System Settings Language.</p> <div style="display: flex; justify-content: space-between; align-items: center;"> English(United Staes) ▾ Save </div>
System +	<p>Scroll Arrow</p> <p>Enable/Disable displaying scroll arrow to up/down/left/right navigation of browser screen. Note: displayed arrow will disappear when no touch made a while.</p> <div style="display: flex; justify-content: space-between; align-items: center;"> <input type="checkbox"/> Enable Save </div>
Display +	
Ethernet +	
Boot	
Browser	
Server +	
Security +	

Function	Description
Preferred Language (Locale)	<p>Select the preferred language from the list below to receive appropriate responses from the web server.</p> <ul style="list-style-type: none"> • English (United States) • German • French • Chinese (Simplified) • Spanish • Italian • Japanese • Korean <p>Default: English (United States)</p> <p>NOTE: This setting does not affect the display language of the System Settings.</p>
Scroll Arrow	<p>Display the scroll arrows on the browser screen.</p> <p>Default: Enable</p> <p>NOTE: The scroll arrows are hidden after a period of inactivity.</p>

Server

Start Page

Specifies the screen to display after the product starts up.

Default: **System Settings**

After registering web servers, you can select a web server page as the start page.

System Settings
⏻ ↗

Information	Start Page
System +	Select the Web server screen to be displayed after startup. The default is [System Settings].
Display +	System Settings ▾
Ethernet +	<input type="button" value="Save"/>
Boot	
Browser	
Server -	
Start Page	
Server	
Security +	

Server

Register the web servers to connect. You can register up to 20 web servers located on the same intranet to this product.

System Settings

1	2	3	4	5	6	7	8	9	10
11	12	13	14	15	16	17	18	19	20

Information	
System +	
Display +	
Ethernet +	
Boot	
Browser	
Server -	
Start Page	
Server	
Security +	

Server Name

Server URL

Software Keyboard

Enable

Server Connectivity

Test connectivity with the web server by pressing [Test] button.

Function	Description
Server Name	<p>Set a server name of up to 32 characters to identify the server. The name you set here will appear in the Start Page settings and when selecting a server in the browser.</p> <p>Only alphanumeric characters (uppercase, lowercase, and numbers) are allowed.</p>
Server URL	<p>Set the IP address of the web server in URL format.</p> <p>Set a URL of up to 256 characters, including alphanumeric characters and special symbols.</p> <p>NOTE: Always include "http://" or "https://" as a prefix before the IP Address (or hostname).</p> <p>Example: If the web page is on a specific port (port: 8080). http://192.168.1.10:8080/home.html</p>
Software Keyboard	<p>Set whether to display software keyboard in the browser.</p> <p>Default: Enable</p>
Server Connectivity	<p>Touch the Test button to check the connection status with the web server.</p>

Security

Password

When using password

Change your password. For instructions, refer to [Change Password](#), page 69.

NOTE: If no operations are performed on the screen for more than 10 minutes, you will be automatically logged out and returned to the login screen.

System Settings
⏻ ↗

- Information
- System +
- Display +
- Ethernet +
- Boot
- Browser
- Server +
- Security -
- Password
- User Account
- Firewall
- External Access

Change Password

Use password
 Do not use password

?

Show password

Register

Password Reset on Login Screen

Enable

Save

Function	Description
Use password/Do not use password	Select whether to require password authentication to access system settings. <p>NOTE:</p> <ul style="list-style-type: none"> Not using a password increases the risk of unauthorized access. To increase system security, we strongly recommend protecting it with a password. When a standard user account has been registered, this setting cannot be set to Do not use password. Please delete the standard user account first, and then change the setting.
Enter Administrator Name/Enter User Name	The currently logged in username is displayed. To change the name, enter one that is 4 to 100 characters long.
Current Password	Enter the password currently in use.
New Password/Confirm Password	Enter the new password. Refer to Password Requirements.
Password Reset on Login Screen	When enabled, " Can't login " is displayed on the login screen. If you touch it, the password reset screen is displayed. For details, refer to Reset Password, page 70. <p>Default: Enable</p> <p>NOTE: When this setting is disabled, you cannot reset the administrator password if you forget it. Please contact customer support. In this case, all data in the product will be lost.</p>

Password Requirements

The password must meet the following requirements:

Number of characters	8 characters or more, 100 characters or less
Types of characters	Use at least one of each of the following types of characters: <ul style="list-style-type: none"> Uppercase letter (A-Z) Lowercase letter (a-z) Number (0-9) Symbol (special character): !"#\$%&'(apostrophe)()*+,-./:;<=>@[\\]^_` (grave accent){ }~

When NOT using password

To change from not using a password to using one, a password reset is required. For instructions, refer to [Reset Password](#), page 70.

To perform this function, both an optional SD card and a commercially available USB storage device are required. Please prepare external storage formatted with the FAT, FAT32, or exFAT file system.

System Settings

Information	
System	+
Display	+
Ethernet	+
Boot	
Browser	
Server	+
Security	-
Password	
Firewall	
External Access	

1. Download Reset Key File

Reset key file is necessary to execute Password Reset. Please save to USB storage.

Save to USB storage
Eject USB storage

2. Password Reset

Copy reset key file to root of SD card then insert SD card to the product.

Execute
Eject SD card

NOTE: The reset key file cannot be used to reset other products. Please perform a reset, product by product.

User Account

Add a user account. Only an administrator account can perform this function.

For instructions, refer to [Adding/Deleting a User Account](#), page 71.

System Settings

Information	
System	+
Display	+
Ethernet	+
Boot	
Browser	
Server	+
Security	-
Password	
User Account	
Firewall	
External Access	

Create User Account

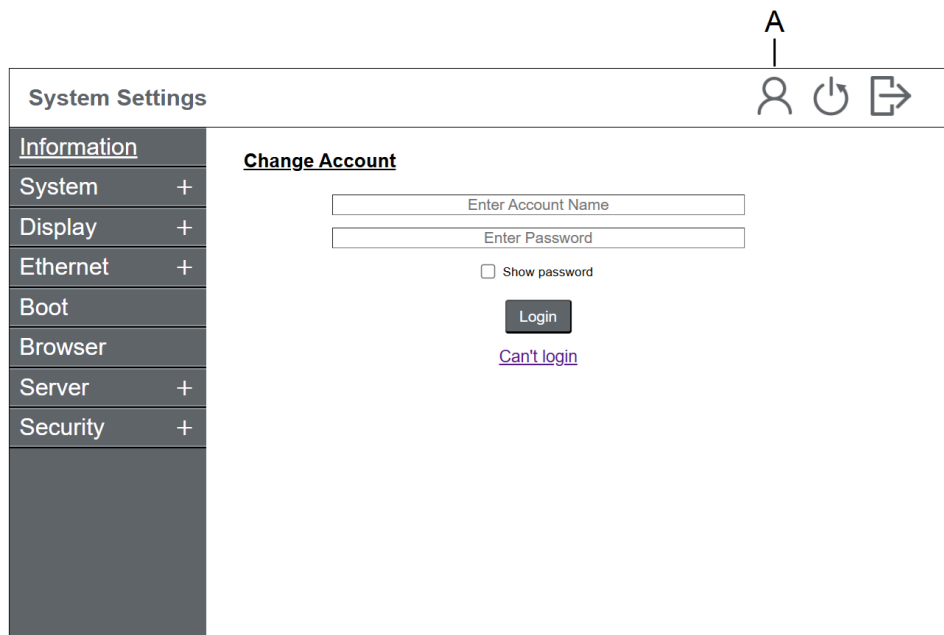
Use password Do not use password

Ⓢ

Show password

Register

When you create the user account, a change account icon will appear at the top right of the screen. Touch that icon and the **Change Account** screen is displayed.



A. Change account

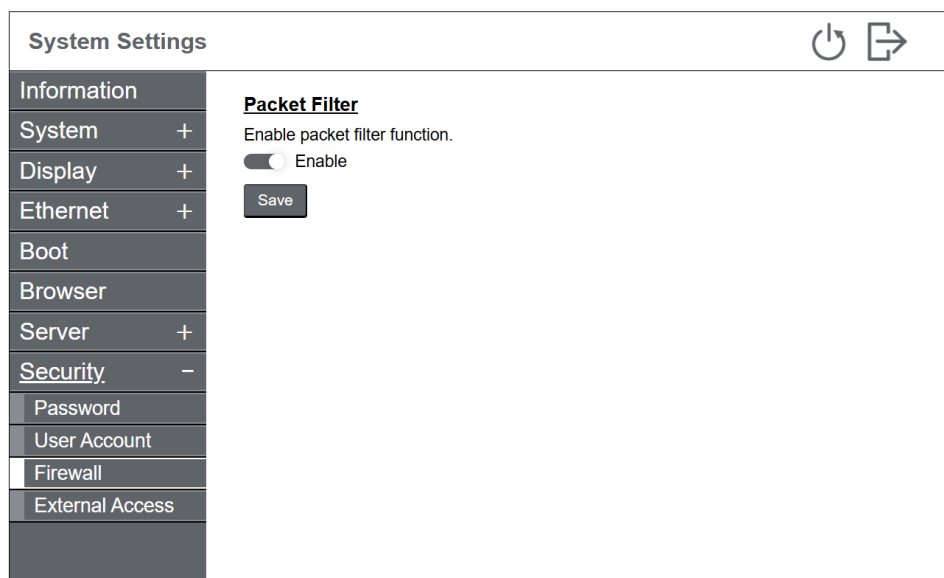
NOTE: When you perform a password reset, all accounts are reset.

Firewall

This function is available only to administrator accounts.

Toggle between enabling or disabling the packet filter function. When the packet filter function is enabled, the firewall monitors network traffic and determines whether to allow or block communication. We recommend this function with no changes to its default settings.

Default: **Enable**



External Access

Set whether to allow access to the product's system settings from a remote computer. Only an administrator account can perform this function.

Default: **Disable**

System Settings ⏻ ↗

Information	
System	+
Display	+
Ethernet	+
Boot	
Browser	
Server	+
Security	-
Password	
User Account	
Firewall	
External Access	

External Access

Enable External Access via local network.

Enable

Save

Schneider Electric
35 rue Joseph Monier
92500 Rueil Malmaison
France

www.se.com

As standards, specifications, and design change from time to time, please ask for confirmation of the information given in this publication.

© 2026 – Schneider Electric. All rights reserved.

EIO0000005724.01