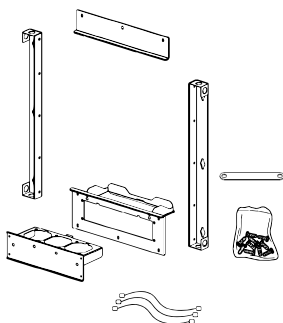




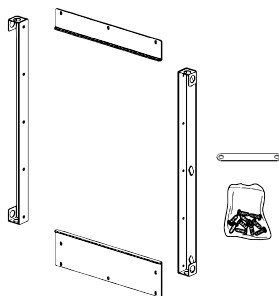
E658135405

Altivar**Flange Mounting Kit****VW3A9510...VW3A9515**

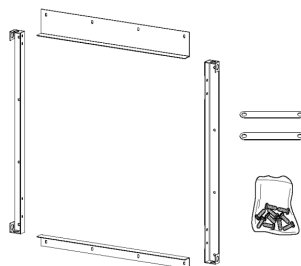
VW3A9510



VW3A9511



VW3A9512...515

**⚠️ DANGER****HAZARD OF ELECTRIC SHOCK, EXPLOSION, OR ARC FLASH**

- Only appropriately trained persons who are familiar with and fully understand the contents of the present manual and all other pertinent product documentation and who have received all necessary training to recognize and avoid hazards involved are authorized to work on and with this equipment.
- Installation, adjustment, repair, and maintenance must be performed by qualified personnel.
- Verify compliance with all local and national electrical code requirements as well as all other applicable regulations with respect to grounding of all equipment.
- Before performing work and/or applying voltage on the equipment, follow the instructions given in the appropriate installation manual.

Failure to follow these instructions will result in death or serious injury.**⚠️ CAUTION****SHARP EDGES**

Use all necessary personal protective equipment (PPE) such as gloves when performing any type of work whatsoever on or with this product.

Failure to follow these instructions can result in injury or equipment damage.

Electrical equipment should be installed, operated, serviced, and maintained only by qualified personnel. No responsibility is assumed by Schneider Electric for any consequences arising out of the use of this product.
© 2025 Schneider Electric. All Rights Reserved.



Опция для продуктов Altivar и Altistart.
Пожалуйста, обратитесь к сообщению о преобразователе частоты EAC / программном сартере в приложении к началу работы, размещенном на веб-сайте производителя.

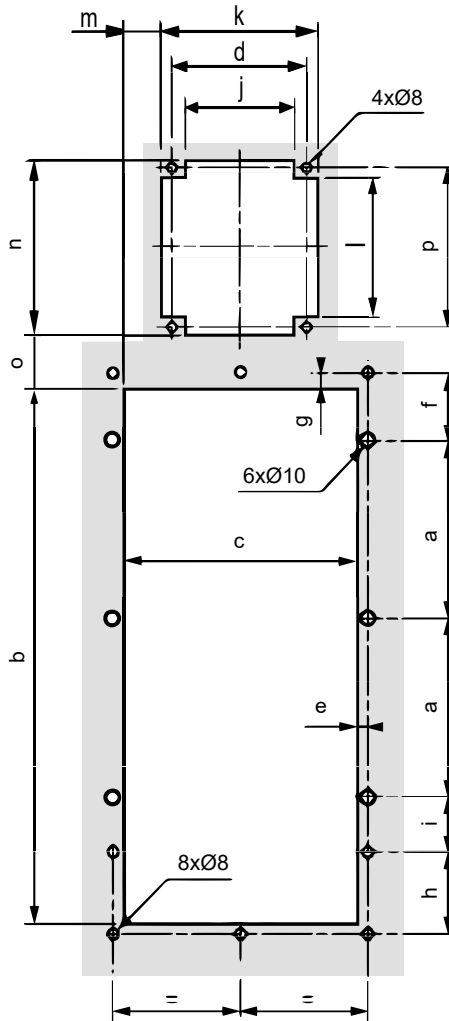
Авторизованный поставщик в Республике Казахстан:
ТОО «Шнейдер Электрик»
Адрес: 050010, РК, г. Алматы, пр. Достык, 38, бизнес-центр «Кен Дала», 5 этаж, левое крыло.
Тел.: +7 (727) 339 23 57
Номер службы поддержки клиентов:
Тел.: +7 (727) 339 24 52

Altivar және Altistart өніміне арналған опция.
Өндірушінің веб-сайтында орналастырылған «Жұмысқа кірісу» қосымшасындағы EAC жиілік инвертер / бірқалыпты іске қосу құрылғысы хабарламасына сілтеме жасауыңызды сұраймыз.
Қазақстан Республикасындағы уәкілетті жеткізуші:
ЖШС «Шнейдер Электрик»
Мекен-жайы: 050010, ҚР, Алматы қаласы, Достық даңғылы, 38, «Кең дала» бизнес орталығы, 5-қабат, сол қанат.
тел.: +7 (727) 339 23 57
Клиенттерге қызмет көрсету нөмірі:
тел.: +7 (727) 339 24 52

VW3A9510
VW3A9511

Flange Mounting Kit

Cut and holes

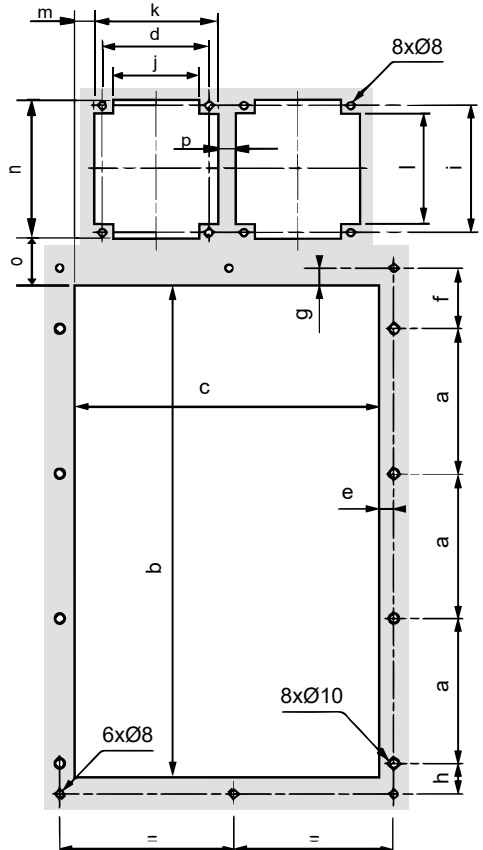
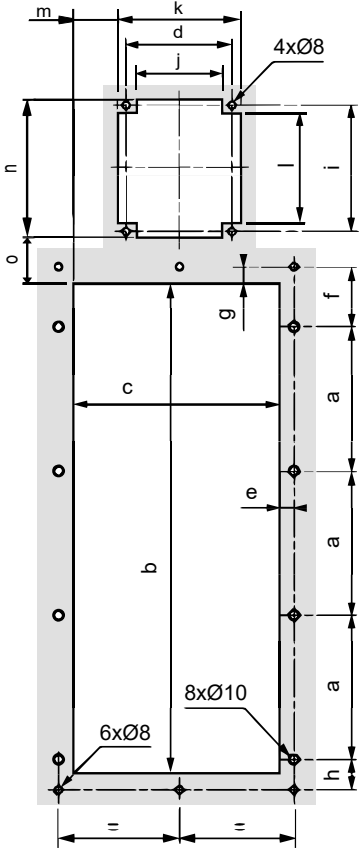


	a		b		c		d		e		f		g		h		i	
	in	mm	in	mm	in	mm	in	mm	in	mm	in	mm	in	mm	in	mm	in	mm
VW3A9510	10.23	260	31.10	790	13.38	340	5.90	150	0.59	15	3.93	100	0.59	15	4.72	120	3.14	80
VW3A9511	12.20	310	33.26	845	14.17	360	6.29	160	0.70	18	3.28	83.5	0.39	10	2.75	70	3.60	91.5
	j		k		l		m		n		o		p					
	in	mm	in	mm	in	mm	in	mm	in	mm	in	mm	in	mm				
VW3A9510	4.72	120	7.08	180	7.08	180	3.14	80	8.26	210	1.77	45	7.67	195				
VW3A9511	5.11	130	7.48	190	7.08	180	3.34	85	8.26	210	1.37	35	7.67	195				

Flange Mounting Kit
Cut and holes

VW3A9512

VW3A9513

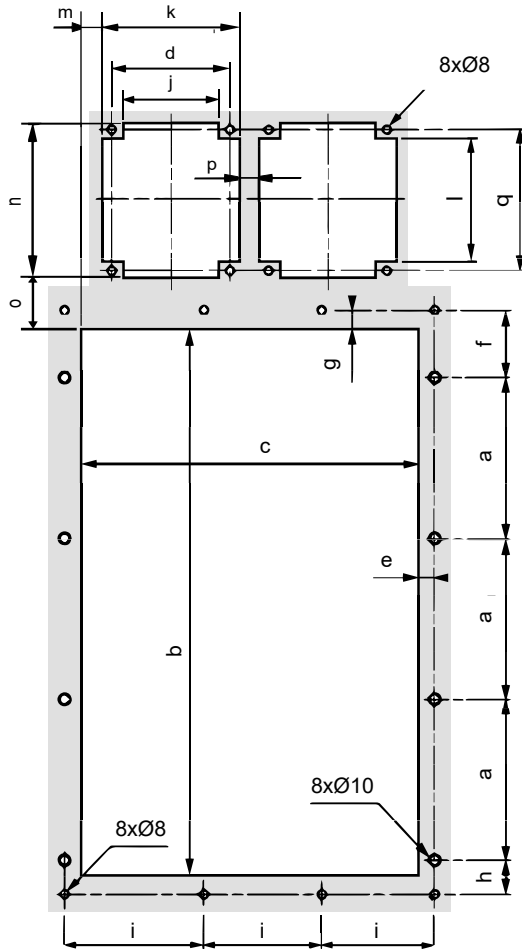


	a		b		c		d		e		f		g		h		i	
	in	mm	in	mm	in	mm	in	mm	in	mm	in	mm	in	mm	in	mm	in	mm
VW3A9512	11.02	280	38.18	970	14.17	360	6.29	160	0.59	15	4.72	120	0.78	20	2.36	60	7.67	195
VW3A9513	11.02	280	38.18	970	18.11	460	5.90	150	0.59	15	4.72	120	0.78	20	2.36	60	7.67	195
	j		k		l		m		n		o		p					
	in	mm	in	mm	in	mm	in	mm	in	mm	in	mm	in	mm				
VW3A9512	5.11	130	7.48	190	7.08	180	3.34	85	8.26	210	1.96	50	NA	NA				
VW3A9513	4.72	120	7.08	180	7.08	180	1.77	45	8.26	210	1.96	50	0.39	10				

VW3A9514
VW3A9515

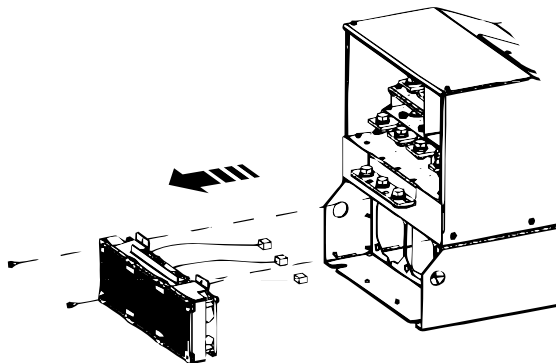
Flange Mounting Kit

Cut and holes



	a		b		c		d		e		f		g		h		i	
	in	mm	in	mm	in	mm	in	mm	in	mm	in	mm	in	mm	in	mm	in	mm
VW3A9514	11.02	280	38.18	970	24.01	610	6.29	160	0.68	17.5	4.72	120	0.78	20	2.36	60	8.46	215
VW3A9515	11.02	280	38.18	970	26.96	685	6.29	160	0.68	17.5	4.72	120	0.78	20	2.36	60	9.44	240
	j		k		l		m		n		o		p		q			
	in	mm	in	mm	in	mm	in	mm	in	mm	in	mm	in	mm	in	mm		
VW3A9514	5.11	130	7.48	190	7.08	180	3.54	90	8.26	210	1.96	50	1.96	50	7.67	195		
VW3A9515	5.11	130	7.48	190	7.08	180	6.49	165	8.26	210	1.96	50	1.96	50	7.67	195		

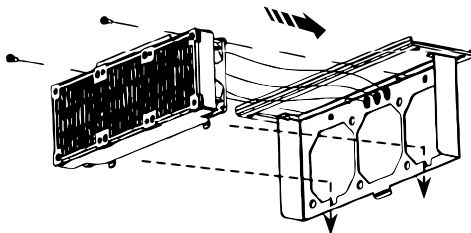
1



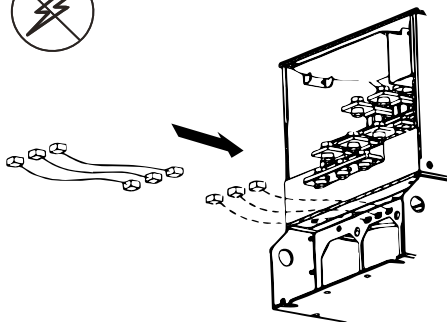
2



M4 1.1...1.7 N·m (9.74...15.05 lbf.in)



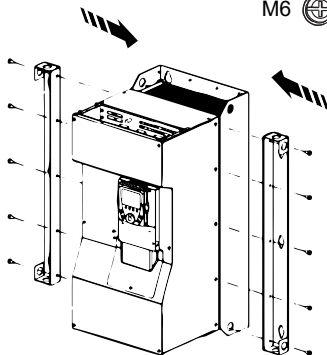
3



4



M6 4.2...5.1 N·m (37.17...45.14 lbf.in)



5

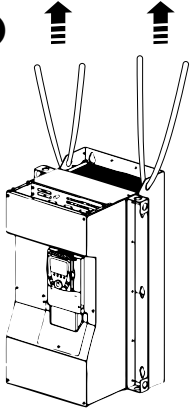
VW3A9510

Flange Mounting Kit

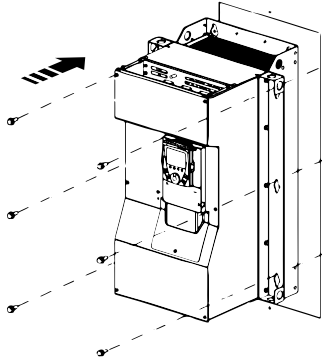
Mounting



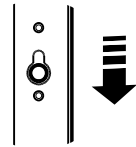
1



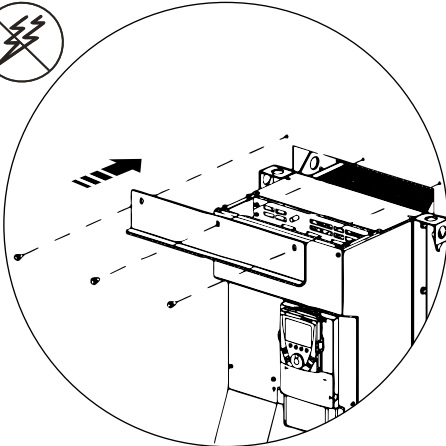
2



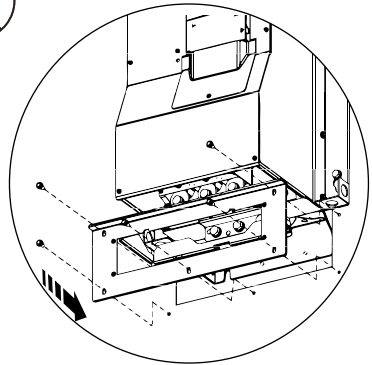
3



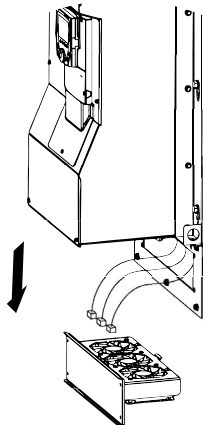
6



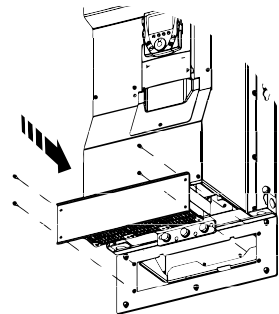
7



8



9

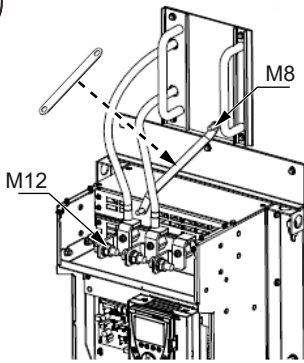


M5 2.6...3.3 N·m (23.01...29.21 lbf.in)

10



VW3A9510



Flange Mounting Kit

Mounting



M12 41 N·m (360 lbf.in)

M8 10.0...13.5 N·m (88.51...119.49 lbf.in)

1



VW3A9511

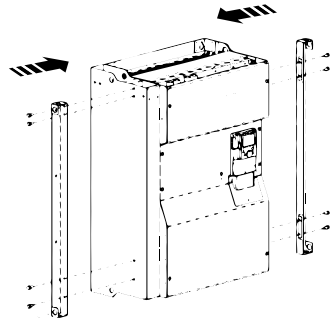
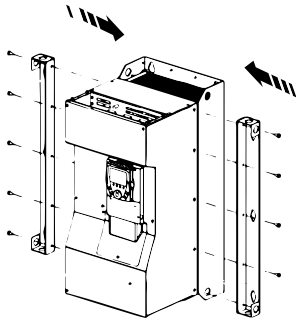


M6 4.2...5.1 N·m (37.17...45.14 lbf.in)

VW3A9512...515



M8 13.5 N·m (119.5 lbf.in)

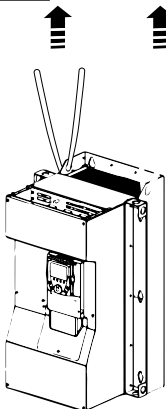


VW3A9511...515

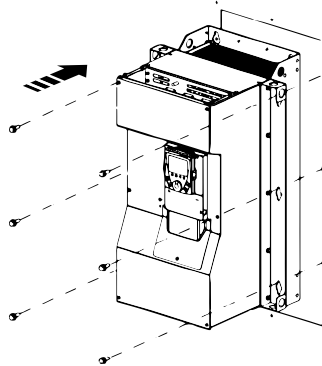
2



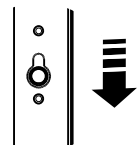
1



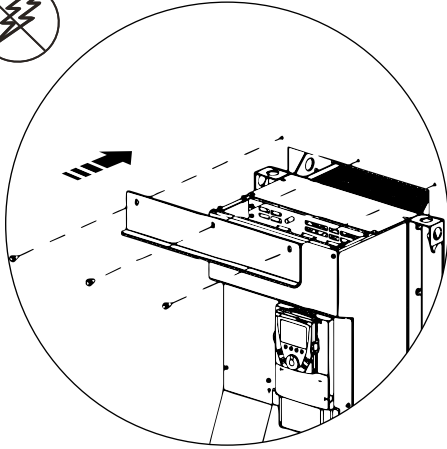
2



3



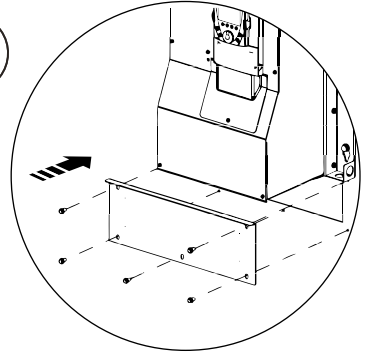
3



Flange Mounting Kit


Mounting


4



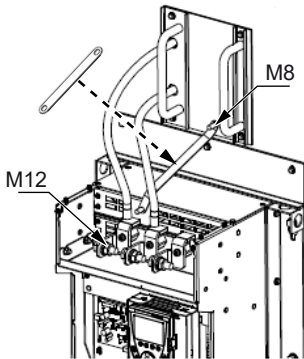
5



M12  41 N·m (360 lbf.in)

M8  10.0...13.5 N·m (88.51...119.49 lbf.in)

VW3A9511



VW3A9512...515

