

MAXIMUM POWER RATINGS FOR 1PH AND 3PH MOTORS  
50/60 HZ AC3 DUTY

	SINGLE PHASE		THREE PHASE			
	115V	230V	200V	230V	460V	575V
D18	1 HP	3 HP	5 HP	5 HP	10 HP	15 HP

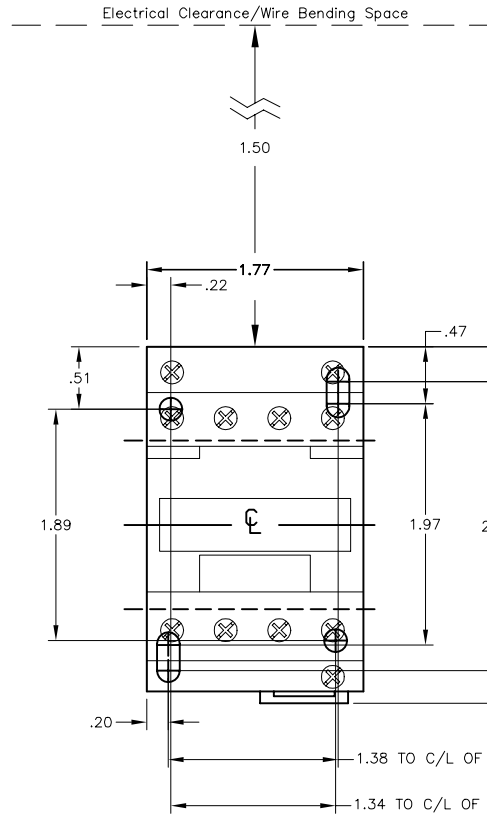
AUXILIARY CONTACTS

CODE (1)	NO	NC
10	1	-
01	-	1

COIL VOLTAGES FOR LC1 D09 TO D80

VOLTS	50 HZ CODE (2)	60 HZ CODE (2)	50/60 HZ CODE (2)
24	B5	B6	B7
110	F5	F6	F7
120	-	G6	-
127	G5	-	-
208	-	L6	-
220	M5	M6	M7
240	U5	U6	U7
277	-	W6	-
380	Q5	Q6	Q7
415	N5	-	N7
440	R5	R6	R7
480	-	T6	-
575	-	S6	-
600	-	X6	-
660	Y5	-	-

Catalog Number: LC1 D18(1)(2)  
 Ratings: 600V/18A  
 UL File/CCN: E48539/NL/DX  
 CSA File/Class: LR43364/3211 04  
 Meets Standards: IEC 158-1, IEC 947-1, IEC 947-4  
 Weight: 3kg  
 Wire Size: Power #8-#18 / Control #10-#18  
 Terminal torque: 15 LB-IN  
 Mounting Hwd: 35mm DIN rail, #8 screws

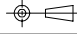


Minimum to wall or barrier to insure adequate wire bending space to lug surface when the maximum wire size is used. REF. NEC 430-10


DEPTH: 3.35

"THE SQUARE D COMPANY HAS PROPRIETARY RIGHTS TO THE INFORMATION CONTAINED HEREON. THIS INFORMATION REMAINS THE PROPERTY OF SQUARE D COMPANY AND MAY BE USED ONLY IN CONFORMANCE WITH INSTRUCTIONS ISSUED BY SQUARE D COMPANY. USER SHOULD VERIFY DRAWINGS ARE TO THE LATEST/CURRENT REVISION PRIOR TO INCORPORATING IN A DESIGN FILE."

**DO NOT SCALE DRAWING**  
UNLESS OTHERWISE SPECIFIED DIMENSIONS ARE IN INCHES

THIRD ANGLE PROJECTION  
  
**TOLERANCES**  
 UNLESS OTHERWISE SPECIFIED  
 2 PLACE DECIMALS ± .01

IEC CONTACTOR  
LC1 D18(1)(2)

 **SQUARE D COMPANY**

DWG# E0200201-01  
NO.