

# PacT Series

## MasterPacT MTZ2/MTZ3 IEC Switch-Disconnectors and Circuit Breakers with MicroLogic X Control Units From 800 to 6300 A

### User Guide

PacT Series offers world-class breakers and switches.

DOCA0101EN-08  
06/2024



# Legal Information

The information provided in this document contains general descriptions, technical characteristics and/or recommendations related to products/solutions.

This document is not intended as a substitute for a detailed study or operational and site-specific development or schematic plan. It is not to be used for determining suitability or reliability of the products/solutions for specific user applications. It is the duty of any such user to perform or have any professional expert of its choice (integrator, specifier or the like) perform the appropriate and comprehensive risk analysis, evaluation and testing of the products/solutions with respect to the relevant specific application or use thereof.

The Schneider Electric brand and any trademarks of Schneider Electric SE and its subsidiaries referred to in this document are the property of Schneider Electric SE or its subsidiaries. All other brands may be trademarks of their respective owner.

This document and its content are protected under applicable copyright laws and provided for informative use only. No part of this document may be reproduced or transmitted in any form or by any means (electronic, mechanical, photocopying, recording, or otherwise), for any purpose, without the prior written permission of Schneider Electric.

Schneider Electric does not grant any right or license for commercial use of the document or its content, except for a non-exclusive and personal license to consult it on an "as is" basis.

Schneider Electric reserves the right to make changes or updates with respect to or in the content of this document or the format thereof, at any time without notice.

**To the extent permitted by applicable law, no responsibility or liability is assumed by Schneider Electric and its subsidiaries for any errors or omissions in the informational content of this document, as well as any non-intended use or misuse of the content thereof.**

# Table of Contents

Safety Information.....	5
About the Book.....	8
MasterPacT MTZ2/MTZ3 Description .....	10
PacT Series Master Range.....	11
MasterPacT MTZ2/MTZ3 Range .....	12
Fixed Device .....	14
Drawout Device.....	18
Device Identification.....	26
MicroLogic X Control Unit: Description .....	30
Go2SE Landing Page .....	35
Operating Conditions .....	37
Schneider Electric Green Premium™ Ecolabel .....	39
MasterPacT MTZ2/MTZ3 Normal Operation .....	42
Device Operating Actions.....	43
Operating the Device .....	44
Control Modes.....	48
Opening the Device .....	54
Closing the Device.....	57
Resetting the Circuit Breaker .....	60
Engaging the ERMS Function.....	61
Operating Accessories .....	64
Drawout Device Racking Actions .....	72
Drawout MasterPacT MTZ2/MTZ3 Device Status.....	73
Disconnecting the Drawout Device.....	78
Connecting the Drawout Device.....	81
Removing the Drawout Device.....	84
Installing the Drawout Device in the Chassis .....	87
Device Locking Actions.....	90
Locking the Pushbuttons .....	91
Locking the Device in Open Position with Padlocks .....	93
Locking the Device in Open Position with Keylocks.....	95
Chassis Locking in Disconnected Position .....	97
Chassis Locking in Any Position.....	101
Locking the Safety Shutters .....	104
Locking the MasterPacT MTZ2 Safety Shutters .....	105
Locking the MasterPacT MTZ3 Safety Shutters .....	107
Device Interlocking Actions .....	108
Mismatch Protection .....	109
VPEC Door Interlock.....	112
VPOC Open-door Racking Interlock .....	115
IPA Cable-type Door Interlock.....	118
Mechanical Interlocking for Transfer Switches.....	119
DAE Automatic Spring-Discharge Interlock .....	122
IBPO Racking Interlock Between Racking Handle and Opening Pushbutton.....	122
MasterPacT MTZ Critical Cases.....	123
Finding the Cause of a Trip or an Alarm in Critical Cases .....	124

Resetting the Circuit Breaker After a Trip Due to an Electrical Fault .....	129
Resetting the Circuit Breaker After a Trip Due to an Incident Detected by the MicroLogic X Self-tests .....	132
Diagnosing Alarms .....	134
Diagnosing Error Messages .....	142
<b>MasterPacT MTZ Commissioning</b> .....	<b>144</b>
Introduction to Commissioning .....	145
Inspection and MicroLogic X Settings .....	147
Tests .....	149
Communication Tests .....	154
Final Checks and Reporting .....	155
MasterPacT MTZ Test Form .....	156
<b>MasterPacT MTZ Troubleshooting</b> .....	<b>160</b>
Introduction to Troubleshooting .....	161
Troubleshooting: Chassis Operation .....	164
Troubleshooting: Unexpected Tripping .....	165
Troubleshooting: Mechanical Control Operations .....	167
Troubleshooting: Electrical Control Operations .....	169
Troubleshooting: Control Operations from EcoStruxure Power Device App .....	171
Troubleshooting: Control Operations from IO Module .....	173
Troubleshooting: Control Operations from FDM121 Display .....	175
Troubleshooting: Control Operations from EcoStruxure Power Commission Software .....	177
Troubleshooting: Control Operations from IFE/EIFE Webpages .....	179
Troubleshooting: Control Operations from Communication Network .....	181
Troubleshooting: Control Operations from FDM128 Display .....	183

## Safety Information

### Important Information

Read these instructions carefully, and look at the equipment to become familiar with the device before trying to install, operate, service, or maintain it. The following special messages may appear throughout this documentation or on the equipment to warn of potential hazards or to call attention to information that clarifies or simplifies a procedure.



The addition of this symbol to a “Danger” or “Warning” safety label indicates that an electrical hazard exists which will result in personal injury if the instructions are not followed.



This is the safety alert symbol. It is used to alert you to potential personal injury hazards. Obey all safety messages that follow this symbol to avoid possible injury or death.

#### **DANGER**

**DANGER** indicates a hazardous situation which, if not avoided, **will result in death or serious injury**.

#### **WARNING**

**WARNING** indicates a hazardous situation which, if not avoided, **could result in death or serious injury**.

#### **CAUTION**

**CAUTION** indicates a hazardous situation which, if not avoided, **could result in minor or moderate injury**.

#### **NOTICE**

**NOTICE** is used to address practices not related to physical injury.

### Please Note

Electrical equipment should be installed, operated, serviced, and maintained only by qualified personnel. No responsibility is assumed by Schneider Electric for any consequences arising out of the use of this material.

A qualified person is one who has skills and knowledge related to the construction and operation of electrical equipment and its installation, and has received safety training to recognize and avoid the hazards involved.

## Safety Notice

### DANGER

#### HAZARD OF ELECTRIC SHOCK, EXPLOSION, OR ARC FLASH

- Apply appropriate personal protective equipment (PPE) and follow safe electrical work practices. See NFPA 70E, CSA Z462, NOM 029-STPS or local equivalent.
- This equipment must only be installed and serviced by qualified electrical personnel.
- Turn off all power supplying this equipment before working on or inside this equipment.
- Always use a properly rated voltage sensing device to confirm power is off.
- Put back all devices, doors, and covers before turning on power to this equipment.
- Beware of potential hazards, and carefully inspect the work area for tools and objects that may have been left inside the equipment.

**Failure to follow these instructions will result in death or serious injury.**

## Cybersecurity Safety Notice

### **▲ WARNING**

#### **POTENTIAL COMPROMISE OF SYSTEM AVAILABILITY, INTEGRITY, AND CONFIDENTIALITY**

- Change default passwords at first use to help prevent unauthorized access to device settings, controls, and information.
- Disable unused ports/services and default accounts to help minimize pathways for malicious attackers.
- Place networked devices behind multiple layers of cyber defenses (such as firewalls, network segmentation, and network intrusion detection and protection).
- Use cybersecurity best practices (for example, least privilege, separation of duties) to help prevent unauthorized exposure, loss, modification of data and logs, or interruption of services.

**Failure to follow these instructions can result in death, serious injury, or equipment damage.**

## About the Book

### Document Scope

The aim of this guide is to provide users, installers, and maintenance personnel with technical information needed to operate MasterPacT™ MTZ2/MTZ3 circuit breakers with MicroLogic™ X control units, and MasterPacT™ MTZ2/MTZ3 switch-disconnectors, in compliance with the IEC standards.

### Validity Note

This guide applies to MasterPacT MTZ2/MTZ3 circuit breakers and switch-disconnectors.

This guide applies to MicroLogic X control units:

- With firmware version 004.000.000 or greater
- With hardware version 001.000.000 or greater

**NOTE:**

This guide also applies to MicroLogic™ Xi control units. A MicroLogic Xi control unit is a MicroLogic X control unit without Bluetooth low energy (BLE) communication.

The specific features of the MicroLogic Xi control units are described in the appendix in DOCA0102•• *MasterPacT MTZ – MicroLogic X Control Unit – User Guide*, page 8

### Online Information

The information contained in this guide is likely to be updated at any time. Schneider Electric strongly recommends that you have the most recent and up-to-date version available on [www.se.com/ww/en/download](http://www.se.com/ww/en/download).

The technical characteristics of the devices described in this guide also appear online. To access the information online, go to the Schneider Electric home page at [www.se.com](http://www.se.com).

### Related Documents

Title of documentation	Reference number
<i>MasterPacT MTZ – MicroLogic X Control Unit – User Guide</i>	DOCA0102EN DOCA0102ES DOCA0102FR DOCA0102ZH
<i>MasterPacT MTZ – Modbus Communication – User Guide</i>	DOCA0105EN DOCA0105ES DOCA0105FR DOCA0105ZH
<i>MasterPacT MTZ - IEC 61850 Communication Guide</i>	DOCA0162EN DOCA0162ES DOCA0162FR DOCA0162ZH
<i>MasterPacT MTZ - IEC Circuit Breakers with MicroLogic X Control Unit and Switch-Disconnectors - Maintenance Guide</i>	DOCA0099EN



<b>Title of documentation</b>	<b>Reference number</b>
	DOCA0099ES DOCA0099FR DOCA0099ZH
<i>MasterPacT MTZ Catalogue</i>	LVPED216026EN
<i>MasterPacT MTZ2/MTZ3 - Fixed IEC Circuit Breaker with MicroLogic X Control Unit or Switch-Disconnecter - Instruction Sheet</i>	NVE35469
<i>MasterPacT MTZ2/MTZ3 - Drawout IEC Circuit Breaker with MicroLogic X Control Unit or Switch-Disconnecter - Instruction Sheet</i>	NVE35470
<i>Enerlin'X IO – Input/Output Application Module for One IEC Circuit Breaker – User Guide</i>	DOCA0055EN DOCA0055ES DOCA0055FR DOCA0055ZH
<i>Enerlin'X IFE – Ethernet Switchboard Server – User Guide</i>	DOCA0084EN DOCA0084ES DOCA0084FR DOCA0084ZH
<i>Enerlin'X IFE - Ethernet Interface for One Circuit Breaker – User Guide</i>	DOCA0142EN DOCA0142ES DOCA0142FR DOCA0142ZH
<i>Enerlin'X EIFE – Embedded Ethernet Interface for One MasterPacT MTZ Drawout Circuit Breaker – User Guide</i>	DOCA0106EN DOCA0106ES DOCA0106FR DOCA0106ZH
<i>Enerlin'X FDM121 – Front Display Module for One Circuit Breaker – User Guide</i>	DOCA0088EN DOCA0088ES DOCA0088FR DOCA0088ZH
<i>Enerlin'X FDM128 – Ethernet Display for Eight Devices – User Guide</i>	DOCA0037EN DOCA0037ES DOCA0037FR DOCA0037ZH
<i>ULP System (IEC Standard) – ULP (Universal Logic Plug) System – User Guide</i>	DOCA0093EN DOCA0093ES DOCA0093FR DOCA0093ZH

You can download these technical publications and other technical information from our website at [www.se.com/ww/en/download](http://www.se.com/ww/en/download).

---

# MasterPacT MTZ2/MTZ3 Description

## What's in This Part

PacT Series Master Range .....	11
MasterPacT MTZ2/MTZ3 Range .....	12
Fixed Device .....	14
Drawout Device .....	18
Device Identification .....	26
MicroLogic X Control Unit: Description .....	30
Go2SE Landing Page .....	35
Operating Conditions .....	37
Schneider Electric Green Premium™ Ecolabel .....	39

# PacT Series Master Range

Future-proof your installation with Schneider Electric's low-voltage and medium-voltage PacT Series. Built on legendary Schneider Electric innovation, the PacT Series comprises world-class circuit breakers, switches, residual current devices and fuses, for all standard and specific applications. Experience robust performance with PacT Series within the EcoStruxure-ready switchgear, from 16 to 6300 A in low-voltage and up to 40.5 kV in medium-voltage.

# MasterPacT MTZ2/MTZ3 Range

## Description

The MasterPacT MTZ2/MTZ3 range of circuit breakers and switch-disconnectors offers current ratings from 800 A to 6,300 A, for AC power systems up to 1,150 Vac.

The MasterPacT MTZ2/MTZ3 range is available in the following frame sizes:

- MasterPacT MTZ2 for current ratings from 800 A to 4,000 A
- MasterPacT MTZ3 for current ratings from 4,000 A to 6,300 A

Each frame size is available in the following power systems:

- 3-pole (3P)
- 4-pole (4P)

Devices are available in the following installation types:

- Fixed-mounted devices
- Drawout devices

## Convention

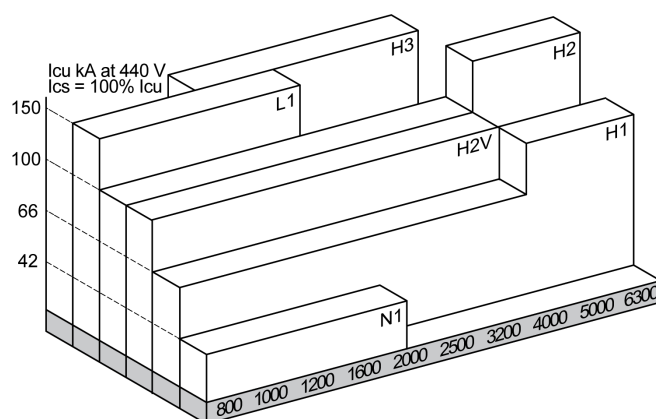
In this guide, the term *MasterPacT MTZ device* covers circuit breakers and switch-disconnectors.

## Circuit Breakers

The following performance levels are available:

- N1: standard short-circuit level (42 kA) with total selectivity
- H1: high short-circuit level (66 kA) with total selectivity
- H2: very high short-circuit level (100 kA) with very high selectivity (85 kA)
- H2V: very high short-circuit level (100 kA) with very high selectivity (100 kA) (Rated operational voltage  $U_e$  limited to 440 Vac)
- H3: extremely high short-circuit level (150 kA) with high selectivity (66 kA)
- L1: extremely high short-circuit level (150 kA) with strong current limitation and significant selectivity (30 kA)

**NOTE:** The values above correspond to a 440 Vac network, for higher voltage levels the values can be different. Refer to LVPED216026EN *MasterPacT MTZ Catalogue*.



Circuit breakers are fitted with a MicroLogic X control unit.

For full information about available circuit breaker models, frame sizes, interrupting ratings, sensor ratings, and control units, refer to LVPED216026EN *MasterPacT MTZ Catalogue*.

## Switch-Disconnectors

The following performance levels are available:

- NA:  $I_{cw} = 42 \text{ kA/1s}$
- HA:  $I_{cw} = 66 \text{ kA/1s}$
- HF:  $I_{cw} = 85 \text{ kA/1s}$
- HH:  $I_{cw} = 100 \text{ kA/1s}$

For information about available switch-disconnector models and frame sizes, refer to LVPED216026EN *MasterPacT MTZ Catalogue*.

## Neutral Position on 4P Devices

On 4P circuit breakers:

- For MasterPacT MTZ2 N1, H3, L1, H10, the neutral position is on the left side as standard.
- For MasterPacT MTZ2 H1, H2, and H2V, the neutral position is on the left side as standard. A version with neutral position on the right side is available when ordering.
- For MasterPacT MTZ3 H1, H2, the neutral position is on the left side as standard. A version with neutral position on the right side is available when ordering.

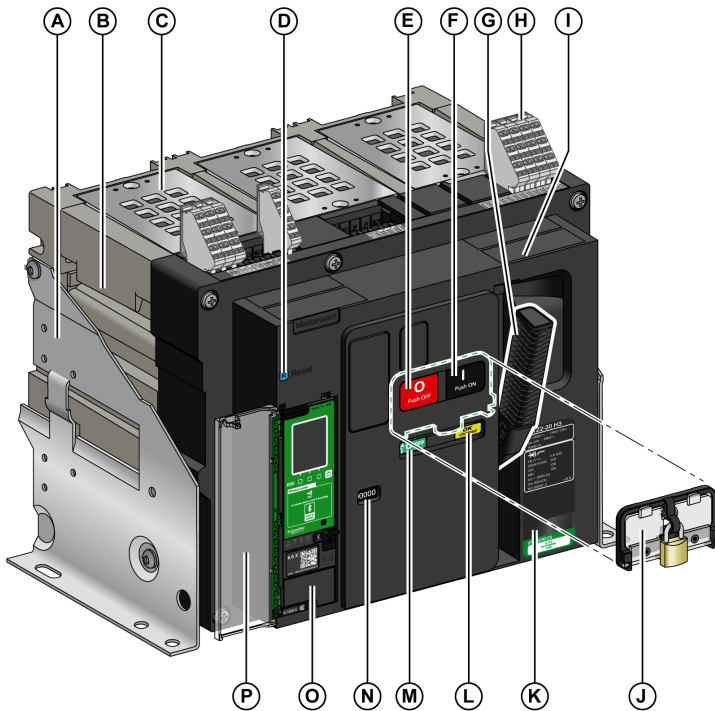
On 4P switch-disconnectors:

- For MasterPacT MTZ2 NA, HA, HF, the neutral position can be switched from the left side to the right side using the label provided.
- For MasterPacT MTZ2 HH, the neutral position is on the left side as standard. A version with neutral position on the right side is available when ordering.
- For MasterPacT MTZ3 HA, the neutral position is on the left side as standard.

## Fixed Device

### Fixed Device Description

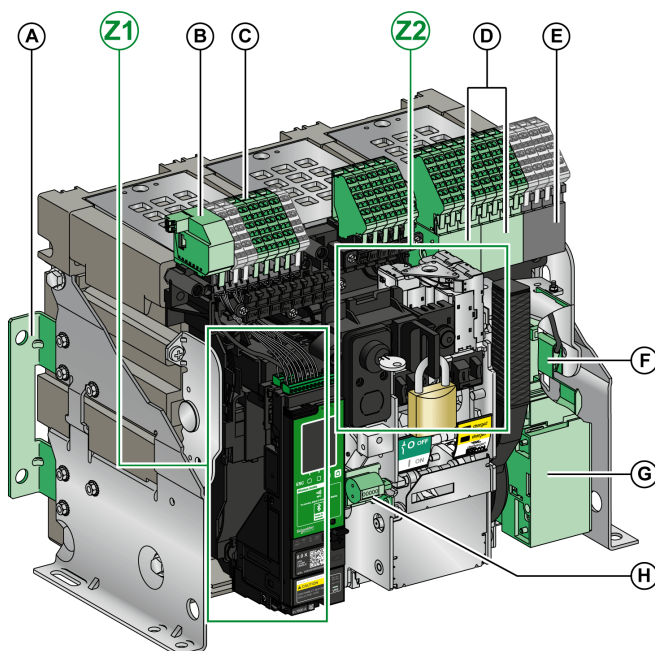
The following image shows the standard version of the fixed device (no optional accessories).



- A** Mounting side plate
- B** Carrying grip
- C** Arc chute
- D** Blue fault-trip reset button
- E** Opening pushbutton
- F** Closing pushbutton
- G** Spring charging handle
- H** Terminal blocks for standard accessories
- I** Front cover
- J** VBP pushbutton locking cover (optional)
- K** Rating plate
- L** Spring charged and ready-to-close indicator
- M** Main-contact position indicator
- N** Window to read the (optional) CDM mechanical operation counter
- O** Control unit
- P** Control unit transparent cover

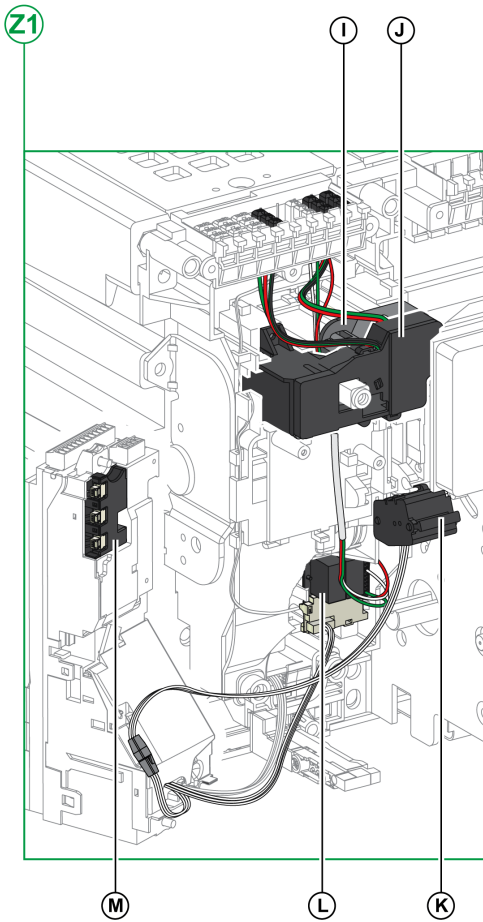
### Fixed Device Accessories Description

The following image shows the accessories available for the fixed device.

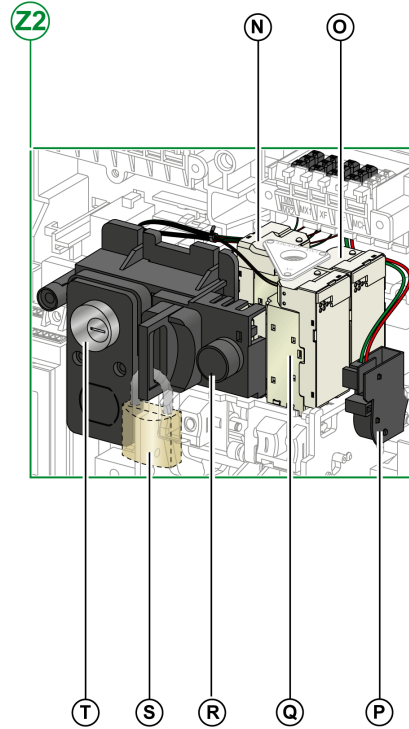


- A** Additional support brackets for mounting on a backplate
- B** ULP port module
- C** Terminal blocks for optional accessories
- D** Four OF indication contacts (optional)
- E** Four OF indication contacts (delivered as standard)
- F** KMT grounding kit
- G** MCH gear motor
- H** CDM mechanical operation counter
- Z1, Z2** See following images

The following images zoom in on the accessories for the fixed device:

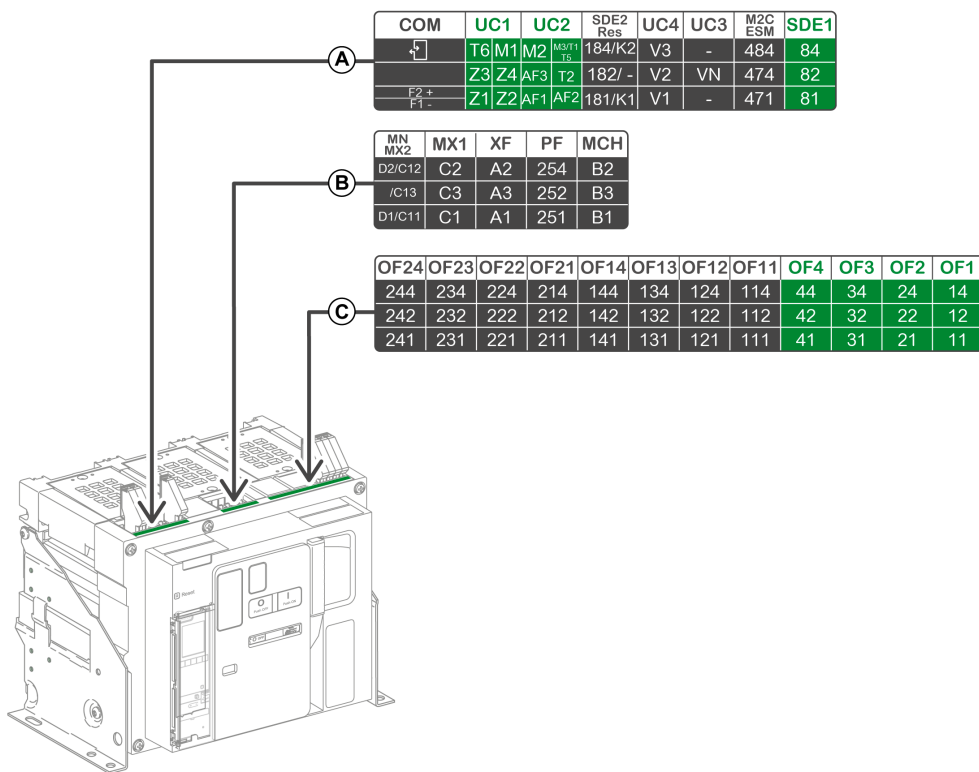


- I** Standard SDE1 fault-trip indication contact
- J** Optional SDE2 fault-trip indication contact or RES electrical remote reset
- K** Microswitch
- L** M2C programmable contacts or ESM ERMS switch module
- M** Isolation module



- N** MN undervoltage release or MX2 opening voltage release
- O** MX1 opening voltage release
- P** PF ready-to-close contact
- Q** XF closing voltage release
- R** BPF electrical closing pushbutton
- S** VCPO OFF-position locking by padlocks
- T** VSPO OFF-position locking by keylocks

## Fixed Device Terminal Block Description



- Terminal block supplied as standard on the circuit breaker
- Terminal block for optional accessories on the circuit breaker

## Assignment of Terminal Blocks

The following table describes the assignment and the availability of the terminal blocks for fixed circuit breakers and switch-disconnectors:

- Standard terminal blocks and the associated accessories are delivered with the device.
- Optional terminal blocks are delivered with the device only if the associated optional accessories are installed in the device.
- N/A indicates that the terminal blocks and the associated optional accessories are not compatible with the device.

Block	Marking	Description	Circuit breaker	Switch-disconnector
A	COM	Terminal block for the external power supply of the MicroLogic X control unit or ULP port module	Standard Optional	N/A N/A
	UC1	Zone selective interlocking (ZSI), rectangular sensor for earth-leakage protection, or MDGF module input	Standard	N/A
	UC2	Neutral external sensor, rectangular sensor for earth-leakage protection, or MDGF module input	Standard	N/A
	SDE2/RES	SDE2 additional fault-trip indication contact or RES electrical remote reset	Optional	N/A on MasterPacT MTZ NA, HA, HA10 Optional on MasterPacT MTZ2 HF, HH N/A
	UC4	External voltage connector	Optional	N/A



Fixed Device

Block	Marking	Description	Circuit breaker	Switch-disconnector
	UC3	External voltage connector	Optional	N/A
	M2C/ESM	M2C programmable contacts or ESM ERMS switch module	Optional	N/A
	SDE1	SDE1 fault-trip indication contact	Standard	N/A on MasterPacT MTZ NA, HA, HA10 Standard on MasterPacT MTZ2 HF, HH
B	MN/MX2	MN undervoltage release or MX2 opening voltage release	Optional	Optional
	MX1	MX1 opening voltage release	Optional	Optional
	XF	XF closing voltage release	Optional	Optional
	PF	PF ready-to-close contact	Optional	Optional
	MCH	MCH gear motor	Optional	Optional
C	OF21-OF24	4 OF indication contacts	Optional	Optional
	OF11-OF14	4 OF indication contacts	Optional	Optional
	OF1-OF4	4 OF indication contacts	Standard	Standard

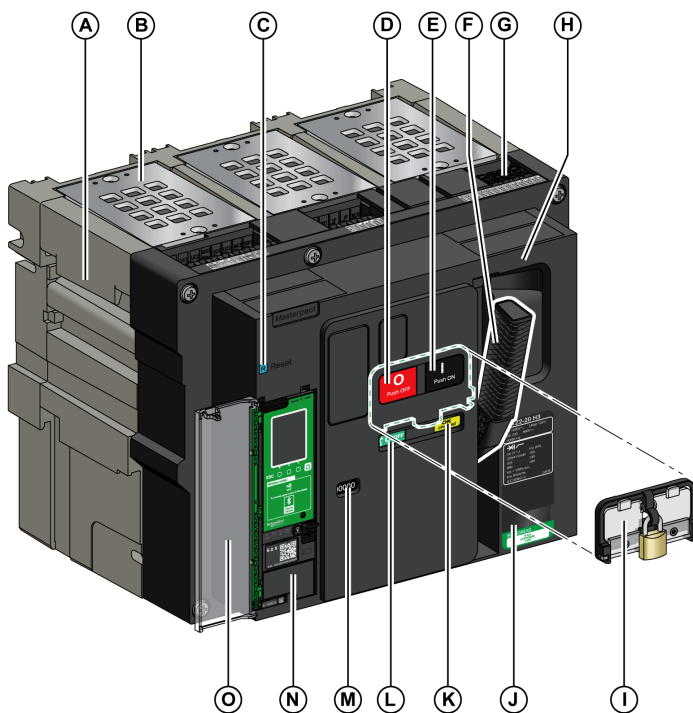
# Drawout Device

## Definition

A drawout device is composed of the moving part (also called the device) and the fixed part (or chassis).

## Drawout Device Moving Part Description

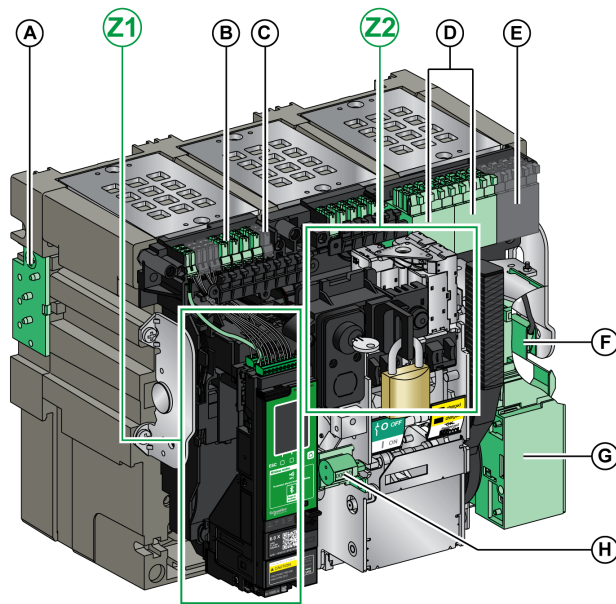
The following image shows the standard version of the moving part of a drawout device (no optional accessories).



- A** Carrying grip
- B** Arc chute
- C** Blue fault-trip reset button
- D** Opening pushbutton
- E** Closing pushbutton
- F** Spring charging handle
- G** Terminal block connectors
- H** Front cover
- I** VBP pushbutton locking cover (optional)
- J** Rating plate
- K** Spring charged and ready-to-close indicator
- L** Main-contact position indicator
- M** Window to consult the (optional) CDM mechanical operation counter
- N** Control unit
- O** Control unit transparent cover

## Drawout Device Accessories Description

The following image shows the accessories available for the moving part of a drawout device.



**A** VDC mismatch protection

**B** Terminal block connectors for optional accessories

**C** Terminal block connectors for standard accessories

**D** Optional block of four OF indication contacts or EF combined connected/closed contacts

**E** Four OF indication contacts (delivered as standard)

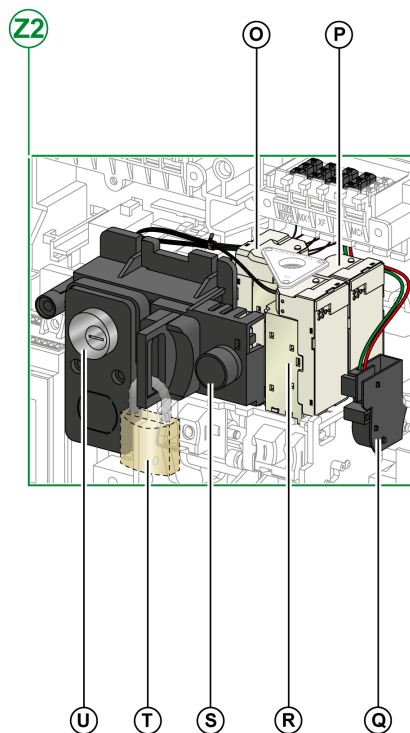
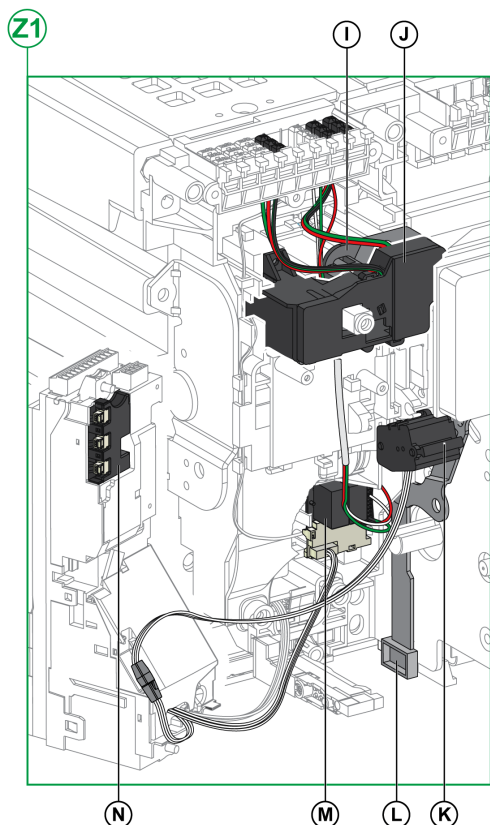
**F** KMT grounding kit

**G** MCH gear motor

**H** CDM mechanical operation counter

**Z1, Z2** See following images

The following images zoom in on the accessories for the moving part of a drawout device.



**I** Standard SDE1 fault-trip indication contact

**J** Optional SDE2 fault-trip indication contact or RES electrical remote reset

**K** Microswitch

**L** IBPO interlock between racking handle and opening pushbutton

**M** M2C programmable contacts or ESM ERMS switch module

**N** Isolation module

**O** MN undervoltage release or MX2 opening voltage release

**P** MX1 opening voltage release

**Q** PF ready-to-close contact

**R** XF closing voltage release

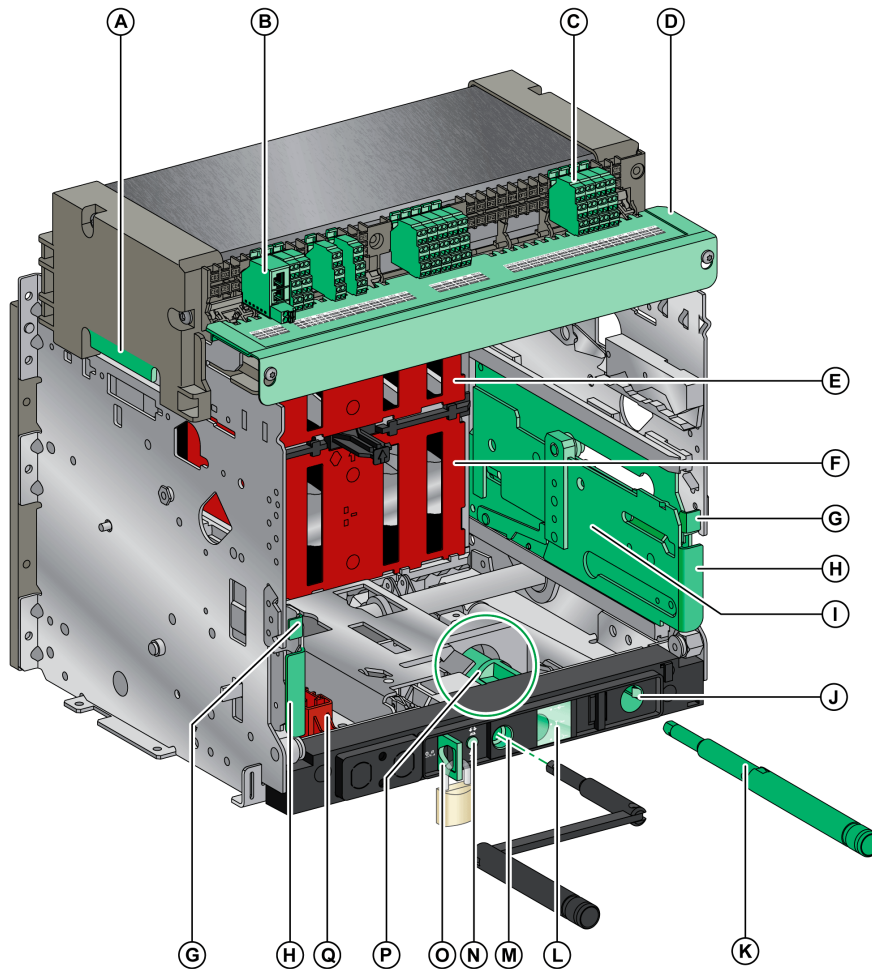
**S** BPFE electrical closing pushbutton

**T** VCPO OFF-position locking by padlocks

**U** VSPO OFF-position locking by keylocks

## Chassis Description

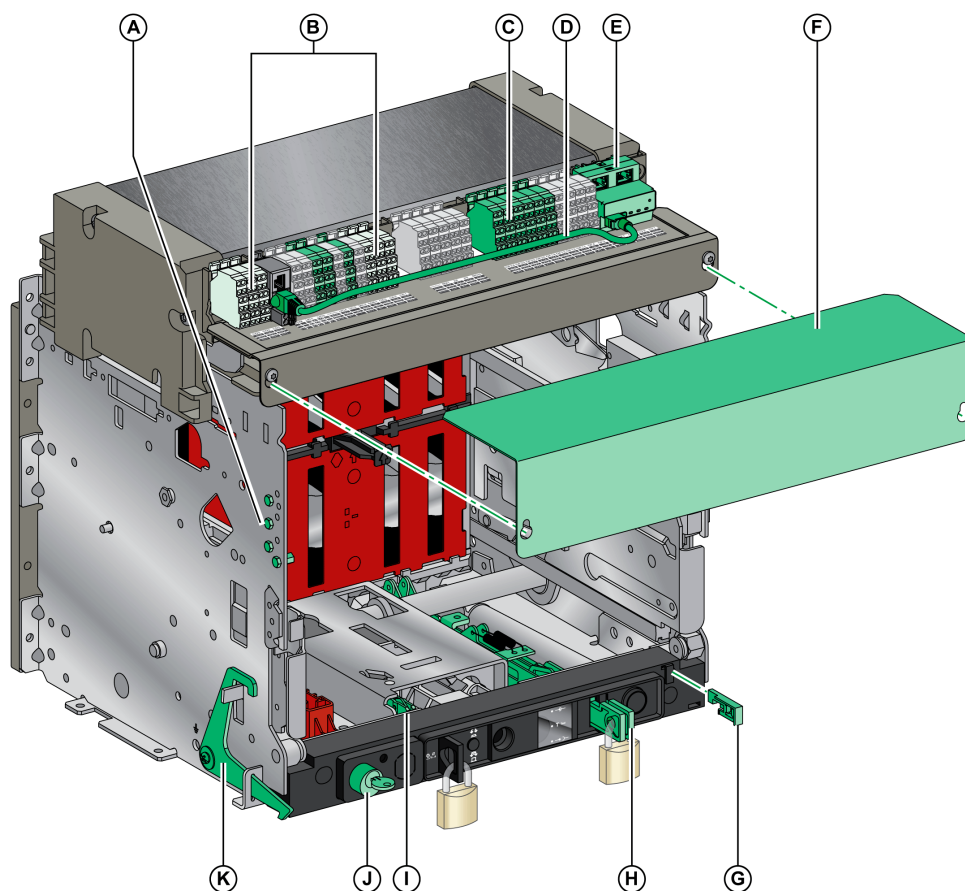
The following image shows the standard version of the chassis (no optional accessories).



- |   |   |
|---|---|
| <b>A</b> Carrying grip                        | <b>K</b> Racking handle   |
| <b>B</b> ULP port module                      | <b>L</b> Moving part position indicator   |
| <b>C</b> Terminal blocks supplied as standard | <b>M</b> Racking handle socket  |
| <b>D</b> Terminal block identification plate  | <b>N</b> Position release button  |
| <b>E</b> Top safety shutter                   | <b>O</b> Chassis locking by padlocks  |
| <b>F</b> Bottom safety shutter                | <b>P</b> Latch for switching chassis locking from disconnected position to any position (connected, test, disconnected) |
| <b>G</b> Rail release tab                     | <b>Q</b> Shutter locking block  |
| <b>H</b> Drawout grip                         |   |
| <b>I</b> Extension rail                       |   |
| <b>J</b> Racking handle storage space         |   |

## Chassis Accessories Description

The following image shows the accessories available for the chassis.



**A** VDC mismatch protection

**B** Drawout device position contacts

**C** Optional terminal block

**D** Cord between ULP port module and EIFE interface

**E** EIFE embedded Ethernet interface

**F** Circuit breaker auxiliary terminal shield

**G** VPOC open-door racking interlock

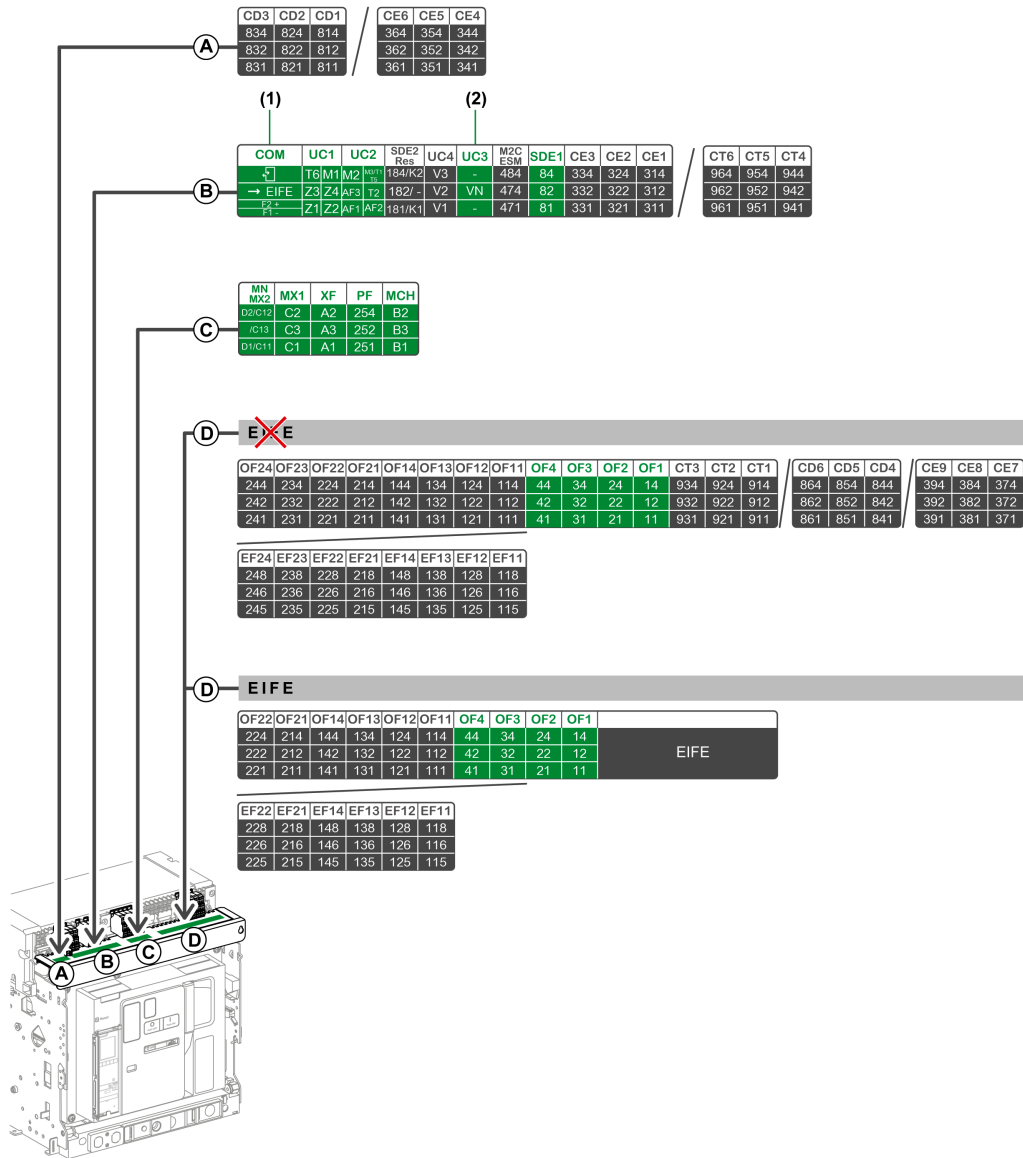
**H** VIVC shutter position indication and locking

**I** IBPO interlock between racking handle and opening pushbutton

**J** VSPD chassis locking by keylocks

**K** VPEC door interlock

# Chassis Terminal Block Description



Terminal block supplied as standard on the chassis

Optional terminal block on the chassis

**(1)** Supplied as standard with chassis for MasterPacT MTZ2/MTZ3 circuit breakers only

**(2)** Supplied as standard with 3P chassis only

## Assignment of Terminal Blocks

The following table describes the assignment and the availability of the terminal blocks for drawout circuit breakers and switch-disconnectors:

- Standard terminal blocks are delivered on the chassis, even if the associated optional accessories are not installed in the device.
- Optional terminal blocks are delivered on the chassis only if the associated optional accessories are installed in the device.
- N/A indicates that the terminal blocks and the associated optional accessories are not compatible with the device.

Block	Marking	Description	Circuit breaker	Switch-disconnector
A	CD1–CD3 CE4–CE6	3 CD disconnected position contacts or 3 CE connected position contacts	Optional	Optional
B	COM	ULP port module	Standard	N/A
	UC1	Zone selective interlocking (ZSI), rectangular sensor for earth-leakage protection, or MDGF module input	Standard	Standard
	UC2	Neutral external sensor, rectangular sensor for earth-leakage protection, or MDGF module input	Standard	Standard
	SDE2/RES	SDE2 additional fault-trip indication contact  or RES electrical remote reset	Optional	N/A on MasterPacT MTZ NA, HA, HA10  Optional on MasterPacT MTZ2 HF, HH N/A
	UC4	External voltage connector	Optional	N/A
	UC3	External voltage connector	Standard on 3P circuit breakers Optional on 4P circuit breakers	Standard on 3P switch-disconnectors N/A on 4P switch-disconnectors
	M2C/ESM	M2C programmable contacts or ESM ERMS switch module	Optional	N/A
	SDE1	SDE1 fault-trip indication contact	Standard	Standard
	CE1–CE3 CT4–CT6	3 CE connected position contacts or 3 CT test position contacts	Optional	Optional
C	MN/MX2	MN undervoltage release or MX2 opening voltage release	Standard	Standard
	MX1	MX1 opening voltage release	Standard	Standard
	XF	XF closing voltage release	Standard	Standard
	PF	PF ready-to-close contact	Standard	Standard
	MCH	MCH gear motor	Standard	Standard
D <sup>(1)</sup>	OF11–OF24 EF11–EF24	8 OF indication contacts or 8 EF combined connected/closed position auxiliary contacts	Optional	Optional
	OF1–OF4	4 OF indication contacts	Standard	Standard
	CT1–CT3	3 CT test position contacts	Optional	Optional
	CD4–CD6	or 3 CD disconnected position contacts		
	CE7–CE9	or 3 CE connected position contacts		



Drawout Device

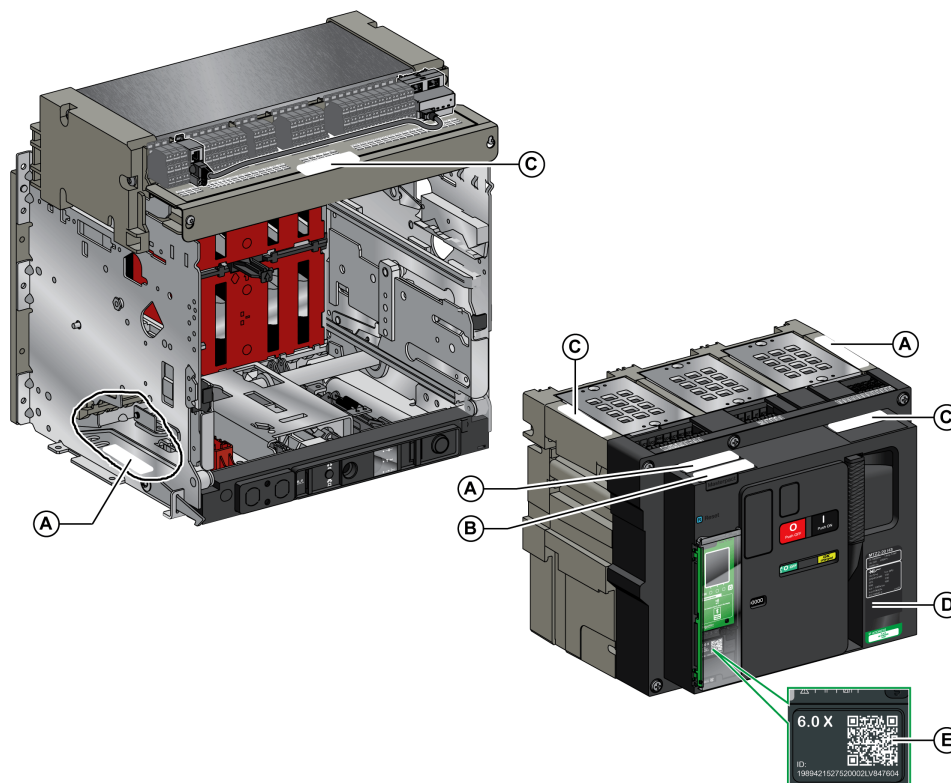
<b>Block</b>	<b>Marking</b>	<b>Description</b>	<b>Circuit breaker</b>	<b>Switch-disconnector</b>
D <sup>(2)</sup>	OF11–OF22	6 OF indication contacts	Optional	N/A
	EF11–EF22	or 6 EF combined connected/closed position auxiliary contacts		
	OF1–OF4	4 OF indication contacts	Standard	Standard
	EIFE	EIFE embedded Ethernet interface	Optional	N/A
(1) Without EIFE interface				
(2) With EIFE interface				

# Device Identification

## Identification

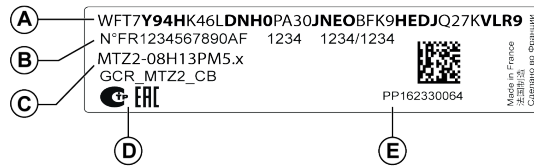
The MasterPacT MTZ2/MTZ3 device can be identified in the following ways:

- Rating plate on device
- QR code located:
  - On the front face of the control unit of the circuit breaker
  - On the front face of the switch-disconnector
- Identification labels on the device and on the chassis



- A** Product identification label
- B** Product checked label
- C** Accessory voltages label
- D** Rating plate
- E** QR code to access product information

## Product Identification Label



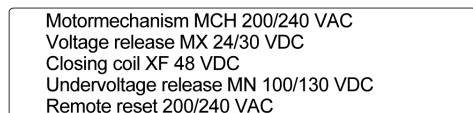
Legend	Description	Explanation
A	Product code	<p>The product code is a line of code representing the complete configuration of a MasterPacT circuit breaker or switch-disconnector. It is automatically generated for each MasterPacT device after completing the configuration using the Product Selector configuration tool.</p> <p>The product code appears on the invoice and on the delivery documents as well as on the MasterPacT device and packaging labels.</p> <p>The product code can be entered in the Product Selector configuration tool, which generates the complete configuration of the MasterPacT device.</p>
B	Schneider Electric internal identification numbers	–
C	Description of device	<p>The description of the device, specifies the following characteristics:</p> <ul style="list-style-type: none"> <li>• Range</li> <li>• Rating</li> <li>• Performance level</li> <li>• Number of poles</li> <li>• Control unit type</li> </ul>
D	Certification logos	The logos of the mandatory certifications of the device.
E	Device serial number	<p>The device serial number is coded PPYYWWDXXXX, where:</p> <ul style="list-style-type: none"> <li>• PP: Plant code</li> <li>• YY: Year of manufacture</li> <li>• WW: Week of manufacture</li> <li>• D: Day of the week of manufacture (Monday = 1)</li> <li>• XXXX: The production number of the product on the day. Ranges from 0001 to 9999</li> </ul> <p>For example, PP162330064 is the sixty fourth device manufactured at plant PP on Wednesday, June 8, 2016.</p>

## Product Checked Label



Leg- end	Description	Explanation
F	Device serial number	See explanation in preceding table.
G	Device test date code	The device test date code is coded PPYYWWD HH:MM, where: <ul style="list-style-type: none"> <li>• PP: plant code</li> <li>• YY: year of test</li> <li>• WW: week of test</li> <li>• D: day of the week of test (Monday = 1)</li> <li>• HH:MM: the time of test in hours and minutes</li> </ul>

## Accessory Voltages Label

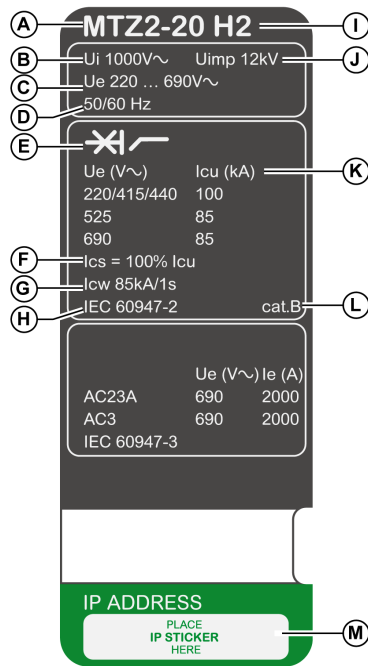


The accessory voltages label gives the voltage of the accessories which are installed in the device and which need to be connected to a power supply.

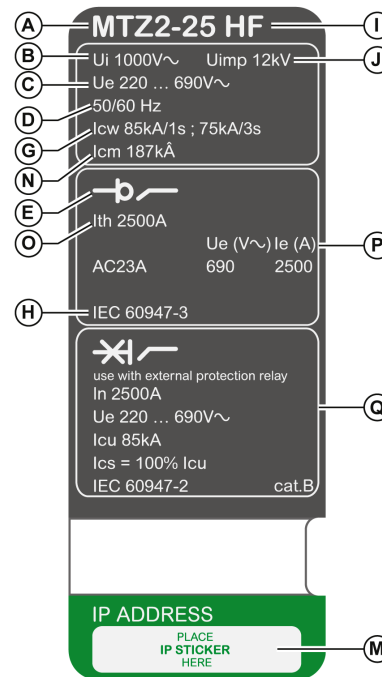
## Rating Plate

The rating plate with the device information is located on the front cover of the device.

Circuit breaker rating plate



Switch-disconnector rating plate



**A** Device size and rated current x 100 A

**B** **U<sub>i</sub>**: rated insulation voltage

**C** **U<sub>e</sub>**: rated operational voltage

**D** Frequency

**E** Type of device: circuit breaker or switch-disconnector, suitable for insulation

**F** **I<sub>cs</sub>**: rated service short-circuit breaking capacity

**G** **I<sub>cw</sub>**: rated short-time withstand current

**H** Standards

**I** Performance level

**J** **U<sub>imp</sub>**: rated impulse withstand voltage

**K** **I<sub>cu</sub>**: rated ultimate short-circuit breaking capacity

**L** Selectivity category as per IEC 60947-2

**M** Place for sticker with IP address of the optional EIFE interface

**N** **I<sub>cm</sub>**: rated short-circuit making capacity

**O** **I<sub>th</sub>**: conventional free air thermal current

**P** **I<sub>e</sub>**: rated operational current

**Q** Information related to switch-disconnectors used as unprotected circuit breakers

## QR Code

When the QR code on the front face of a MasterPacT MTZ device is scanned with a smartphone running a QR code reader and connected to the Internet, the Go2SE landing page is displayed, page 35. The landing page displays some information about the device and a list of menus.

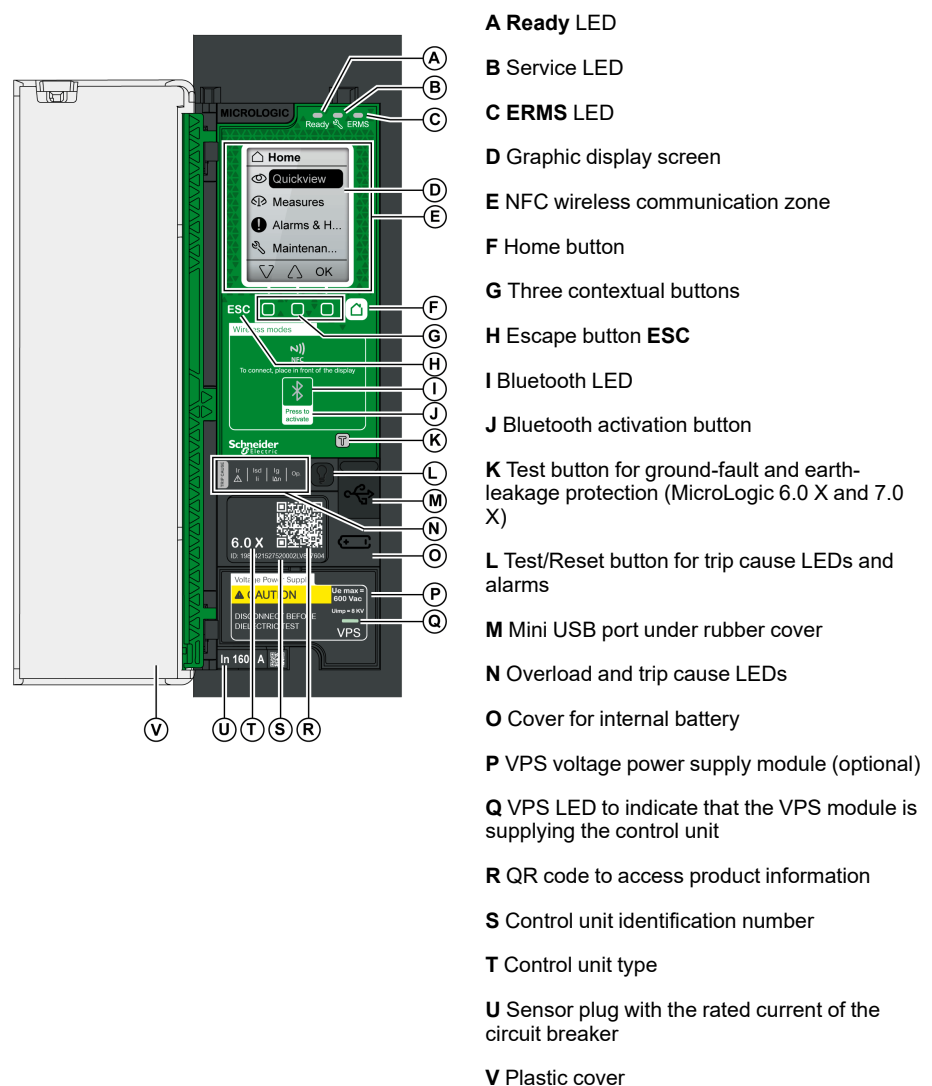
# MicroLogic X Control Unit: Description

## Introduction


The MicroLogic X control unit includes:

- LEDs to monitor the status of the circuit breaker
- A local Human Machine Interface comprising a graphic display with colored backlight, contextual buttons, and dedicated buttons
- LEDs to monitor the cause of trips and alarms

## Control Unit Description



## Status LEDs

LED	Description
<b>Ready</b>	The <b>Ready</b> LED blinks slowly when the standard protection functions of the control unit are operational.
	The service LED alerts the user to the health state of the circuit breaker. <ul style="list-style-type: none"> <li>• Orange LED: medium severity detected alarm that requires non-urgent maintenance action.</li> <li>• Red LED: high severity detected alarm that requires immediate maintenance action.</li> </ul>
<b>ERMS</b>	The <b>ERMS</b> (Energy Reduction Maintenance Setting) LED has the following statuses: <ul style="list-style-type: none"> <li>• Blue LED: ERMS engaged</li> <li>• Off LED: ERMS disengaged</li> </ul>

## Display Screen with Contextual Buttons and Dedicated Buttons

The local HMI screen and buttons are used to:

- Navigate the menu structure.
- Display monitored values.
- Access and edit configuration settings.

## NFC Communication Zone

The NFC communication zone is used to establish an NFC connection between a smartphone running the EcoStruxure Power Device app and the MicroLogic X control unit. When the connection is established, the circuit breaker operating data is automatically uploaded to the smartphone.

## Bluetooth Activation Button and LED

The Bluetooth activation button is used to establish a Bluetooth low energy connection between a smartphone running the EcoStruxure Power Device app and the MicroLogic X control unit. When the connection is established, the circuit breaker can be monitored and controlled from the smartphone.





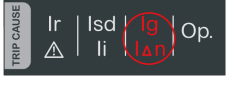

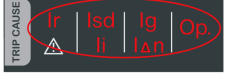
When the Bluetooth LED is blinking, it indicates that the MicroLogic X control unit is in communication with a Bluetooth device.

## Test Button

The test button is used to test the ground-fault protection for MicroLogic 6.0 X and the earth-leakage protection for MicroLogic 7.0 X.

## Overload and Trip Cause LEDs

The indications of the four trip cause LEDs depend on the type of MicroLogic X control unit.

LEDs	Description
	<ul style="list-style-type: none"> <li>MicroLogic 2.0 X, 5.0 X, 6.0 X, 7.0 X: Overload pre-alarm, the load exceeds 90% and is lower than 105% of the Ir setting of the long-time protection.</li> </ul>
	<ul style="list-style-type: none"> <li>MicroLogic 2.0 X, 5.0 X, 6.0 X, 7.0 X: Overload alarm, the load exceeds 105% of the Ir setting of the long-time protection.</li> </ul>
	<ul style="list-style-type: none"> <li>MicroLogic 2.0 X, 5.0 X, 6.0 X, 7.0 X: Trip due to long-time protection.</li> </ul>
	<ul style="list-style-type: none"> <li>MicroLogic 2.0 X: Trip due to instantaneous protection.</li> <li>MicroLogic 5.0 X, 6.0 X, 7.0 X: Trip due to short-time protection or instantaneous protection.</li> </ul>
	<ul style="list-style-type: none"> <li>MicroLogic 2.0 X, 5.0 X: Not applicable.</li> <li>MicroLogic 6.0 X: Trip due to ground-fault protection.</li> <li>MicroLogic 7.0 X: Trip due to earth-leakage protection.</li> </ul>
	<ul style="list-style-type: none"> <li>MicroLogic 2.0 X, 5.0 X, 6.0 X, 7.0 X: Trip due to optional protections.</li> </ul>
	<ul style="list-style-type: none"> <li>MicroLogic 2.0 X, 5.0 X, 6.0 X, 7.0 X: MicroLogic control unit invalid result detected during self test.</li> </ul>

**NOTE:** If the MicroLogic X control unit is not powered, the trip cause LEDs go off after 4 hours. After this period, press the Test/Reset button to light them again.

## Test/Reset Button

The Test/Reset button performs the following functions:

- Test of the internal battery or check LED functionality: press and hold the Test/Reset button for less than 3 seconds, the four trip cause LEDs switch off for one second. One of the following results:
  - The four trip cause LEDs switch on for two seconds: the battery is OK.
  - The four trip cause LEDs flash sequentially for two seconds: the battery is near the end of its life. Replace the battery.
  - The four trip cause LEDs do not light: replace the battery.

**NOTE:** This test must be carried out immediately after the replacement of the internal battery to check the correct functioning of the new battery. It can then be carried out at any time in the life of the internal battery.

- Reset of the latched events: press and hold the Test/Reset button for more than 3 seconds to reset the latched events. The trip cause LEDs and the service LED switch off.



## Mini USB Port

Remove the rubber cover of the mini USB port to connect the following devices:

- A Mobile Power Pack to supply power to the MicroLogic X control unit.
- A smartphone running the EcoStruxure Power Device app through USB OTG connection.
- A PC running EcoStruxure Power Commission software.

**NOTE:** The MicroLogic X control unit does not support USB keys. Even if a USB key is connected using an adapter, data is not transferred.

## QR Code

When the QR code on the front face of a MicroLogic X control unit is scanned with a smartphone running a QR code reader and connected to the Internet, the Go2SE landing page is displayed, page 35. The landing page displays some information about the device and a list of menus.

## Control Unit Identification Number

The identification number is made up as follows:

- The serial number of the MicroLogic X control unit in the format FFFFFFFYYWWDLXXXX
- The commercial reference of the control unit in the format LV8•••••

Use the identification number to register your MicroLogic X control unit through mySchneider app, the customer care mobile application.

Registering your MicroLogic X control unit enables you to keep your records up to date and enables traceability.

## Control Unit Type

This code indicates the type of MicroLogic control unit:

- The number (for example, 6.0) defines the types of protection provided by the control unit.
- The letter (X) identifies the range of the control unit.

## Internal Battery

The internal battery powers the trip cause LEDs and the main diagnostic functions in the absence of any other power supply.

## VPS Voltage Power Supply Module

The VPS module provides an internal voltage supply to the MicroLogic X control unit.

The VPS module is optional for MicroLogic 2.0 X, 5.0 X, and 6.0 X. It is installed as standard on MicroLogic 7.0 X.

---

## Sensor Plug

The protection ranges depend on the rated current  $I_n$ , defined by the sensor plug present below the MicroLogic X control unit.

# Go2SE Landing Page

## Presentation

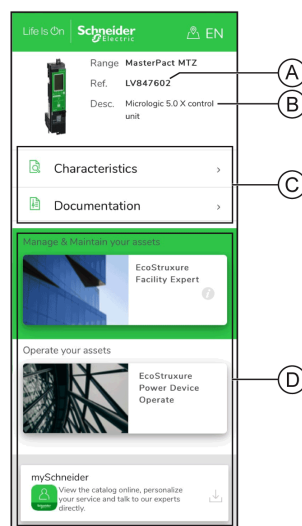
When the QR code on the front face of a MasterPacT MTZ device is scanned with a smartphone running a QR code reader and connected to the Internet, the Go2SE landing page is displayed.

The landing page displays information about the device and a list of menus.

## Landing Page Description

The landing page is accessible from Android and iOS smartphones. It displays the same list of menus with slight differences in presentation.

The following example shows the landing page displayed on an Android smartphone:



**A** Commercial reference of MicroLogic X control unit

**B** Type of MicroLogic X control unit

**C** Landing page menus. See the following menu descriptions for details.

**D** Downloadable applications

## Characteristics

Selecting this menu gives access to a product datasheet with detailed information about the MicroLogic X control unit.

## Documentation

Selecting this menu gives access to a submenu with the following options:

- **Asset Life Cycle Documents:** gives access to Safe Repository.  
Safe Repository is a web service allowing documentation linked to assets to be consulted, stored, and shared in a Schneider Electric environment. Access to Safe Repository is restricted to authorized users.  
Safe Repository gives access to the bill of materials of the MasterPacT MTZ circuit breaker.

- **Technical Guidance at Glance:** gives access to the MasterPacT MTZ technical publications, including:
  - *MasterPacT MTZ - MicroLogic X Control Unit - User Guide*
  - *MasterPacT MTZ1 - Circuit Breakers and Switch-Disconnectors - User Guide*
  - *MasterPacT MTZ2/MTZ3 - Circuit Breakers and Switch-Disconnectors - User Guide*
  - All the instruction sheets for MasterPacT MTZ devices and MicroLogic X control units
- **Product Documentation:** gives access to the MicroLogic X technical publications

## EcoStruxure Facility Expert App

Selecting this application gives access to the EcoStruxure Facility Expert mobile application that can be downloaded on Android and iOS smartphones. For smartphone compatibility, check on your application store.

EcoStruxure Facility Expert optimizes operations and maintenance, helping to ensure business continuity, and provides insights to service providers or facility managers.

EcoStruxure Facility Expert is a real-time collaborative technology available on mobile devices and PCs that enables managers and maintenance personnel to be connected with facilities and equipment. Information exchange between users is simple and fast.

The QR code on MasterPacT MTZ devices enables managers and maintenance personnel to access the following automatic downloads:

- MasterPacT MTZ device identifier.
- Technical documentation.
- The maintenance plan for the MasterPacT MTZ device.

EcoStruxure Facility Expert enables managers and maintenance personnel to access the maintenance plan for MasterPacT MTZ devices.

EcoStruxure Facility Expert helps maintenance personnel to diagnose issues remotely and manage maintenance efficiently by:

- Providing relevant information on critical assets.
- Sending immediate state of the equipment and detailed information helping for diagnostics.

## EcoStruxure Power Device App

Selecting this application gives access to the EcoStruxure Power Device app that can be downloaded and installed on Android and iOS smartphones. For smartphone compatibility, check on your application store.

## mySchneider App

Selecting this application gives access to the Schneider Electric customer care mobile application **mySchneider** app that can be downloaded on Android and iOS smartphones. For smartphone compatibility, check on your application store. The customer care application offers self-service instructions and easy access to expert support and information.

# Operating Conditions

## Introduction

MasterPacT MTZ devices are designed and tested for operation in industrial atmospheres. It is recommended that equipment is cooled or heated to the proper operating temperature and kept free of excessive vibration and dust.

## Ambient Temperature

MasterPacT MTZ devices can operate under the following temperature conditions:

- Electrical and mechanical characteristics specified for an ambient temperature of -25 °C to +70 °C.
- Circuit-breaker closing specified down to -35 °C by manual operation with closing pushbutton.

Storage conditions are as follows:

- -40 °C to +85 °C for the device without the control unit.
- -25 °C to +85 °C for the control unit.

## Extreme Atmospheric Conditions

MasterPacT MTZ devices have successfully passed tests for extreme atmospheric conditions, defined by the following standards:

Standard	Title
IEC 60068-2-1	Dry cold, at -40 °C
IEC 60068-2-2	Dry heat, at +85 °C
IEC 60068-2-30	Damp heat (temperature +55 °C, relative humidity 95%)
IEC 60068-2-52 level 2	Salt mist

## Industrial Environments

MasterPacT MTZ devices can operate in the industrial environments defined by IEC 60947 (pollution degree up to 3).

It is advisable to check that devices are installed in suitably cooled switchboards without excessive dust.

Conditions	Standard
Corrosive industrial atmospheres	Category 3C3 compliant with IEC 60721-3-3
Sea salts 0.8 to 8 mg/m <sup>2</sup> day average over the year	Compliant with IEC 60721-2-5
Mechanically active substances	Category 3S3 compliant with IEC 60721-3-3

Beyond these conditions, MasterPacT MTZ devices must be installed inside switchboards with an IP rating equal to or greater than IP54.

## Vibration

MasterPacT MTZ devices have successfully passed tests for the following vibration levels, in compliance with IEC 60068-2-6 and IEC 60068-2-27:

- 2 Hz to 13.2 Hz: amplitude +/- 1 mm.
- 13.2 Hz to 100 Hz: constant acceleration of 0.7 g.

Vibration testing to these levels is required by merchant marine inspection organizations (for example, Veritas, Lloyd's).

MasterPacT MTZ devices have also been successfully tested according to:

- Annex Q - IEC 60947-1: Special tests – damp heat, salt mist, vibration and shock
- IEC 60947-1 - Category D: Environment subject to temperature, humidity and vibration

## Altitude

MasterPacT MTZ devices are designed and tested to operate at altitudes below 2,000 m.

At altitudes above 2,000 m, the characteristics of the ambient air (electrical resistance, cooling capacity) lower product characteristics as follows:

Characteristics		Altitude			
		2,000 m	3,000 m	4,000 m	5,000 m
Impulse withstand voltage $U_{imp}$ (kV)		12	11	10	8
Rated insulation voltage ( $U_i$ ) (V)		1,000	900	780	700
Maximum rated operational voltage 50/60 Hz $U_e$ (V)	MasterPacT MTZ2/MTZ3 except H10	690	690	630	560
	MasterPacT MTZ2/MTZ3 H10	1,000	890	795	700
Rated current (A) at 40 °C		1 x $I_n$	0.99 x $I_n$	0.96 x $I_n$	0.94 x $I_n$

**NOTE:** Intermediate values can be obtained by interpolation.

## Electromagnetic Disturbances

MasterPacT MTZ devices have protection against:

- Overvoltages caused by devices that generate electromagnetic disturbance.
- Overvoltages caused by atmospheric disturbance or by a distribution-system outage (for example, a lighting system failure).
- Devices emitting radio waves (for example, radio transmitters, walkie-talkies, or radar).
- Electrostatic discharge produced by users.

MasterPacT MTZ devices have successfully passed the electromagnetic-compatibility tests (EMC) defined by the following international standards:

- IEC 60947-2, appendix F.
- IEC 60947-2, appendix B (control units with earth-leakage function).

The devices have passed the above tests and therefore:

- No nuisance tripping occurs.
- Tripping times are respected.

# Schneider Electric Green Premium™ Ecolabel

## Description

Green Premium is a label that allows you to develop and promote an environmental policy while preserving your business efficiency. This ecolabel is compliant with up-to-date environmental regulations.



## Accessing Green Premium

Green Premium data on labeled products can be accessed online through any of the following ways:

- By navigating to the Green Premium page on the Schneider Electric website.
- By navigating to the product page on the mySchneider application on your smartphone

**NOTE:** To download and install the mySchneider app, scan the QR code on the front face of any Schneider Electric product and click the mySchneider link to go to your app store.


## Checking Products Through the Schneider Electric Website

To check the environmental criteria of a product using a PC or smartphone, follow these steps:

Step	Action
1	On the Green Premium page, select <b>Sustainability &gt; For customers &gt; Green Premium products</b> .
2	Click <b>Check your product and access environmental data</b> .
3	On the page <b>Check a product</b> , manually enter the commercial reference or product range of the product to search for. <b>NOTE:</b> You can also select the <b>Search a list of part numbers</b> tab to send a file with a list of commercial references of products to search for.
4	To search for several products simultaneously, click <b>Add product</b> and then fill in the fields.
5	Click <b>Check product(s)</b> to generate a report of the environmental criteria available for the products with the entered commercial references.
6	A window named <b>Green Premium Declaration</b> appears. Click on <b>I accept</b> to access the product information.
7	The <b>Check a product</b> page is displayed with the list of documents for the selected products for each type of environmental data. Each document can be downloaded to your PC.

## Checking Products Through the mySchneider App

To check the environmental criteria of a product using mySchneider app on your smartphone, follow these steps:

Step	Action
1	Open the mySchneider app.
2	In the search field at the top of the <b>Product Catalog</b> page: <ul style="list-style-type: none"> <li>• Enter the commercial reference of the product to search for</li> <li>• or press the QR code icon in the search box  and scan the QR code on the front face of the product to search for.</li> </ul>
3	When the page of the commercial reference searched for opens, scroll down and select <b>Green Premium</b> .
4	The Green Premium documents attached to the product are listed on the Green Premium page.  Select the required document to refer or download it.

## Environmental Criteria

The Green Premium ecolabel provides documentation on the following criteria about the environmental impact of the products:

- RoHS: Restriction of Hazardous Substances (RoHS) directive
  - For European Union
  - For China
- REACH: European Union Registration, Evaluation, Authorization, and Restriction of Chemicals regulation.
- Product Environmental Profile (PEP)
- End of Life Instructions (EoLI).

## RoHS

Schneider Electric products are subject to RoHS requirements at a worldwide level, even for the many products that are not required to comply with the terms of the regulation. Compliance certificates are available for products that fulfill:

- The RoHS criteria defined by the European Union.
- The RoHS criteria defined by China.

## REACH

Schneider Electric applies the strict REACH regulation on its products at a worldwide level, and discloses extensive information concerning the presence of Substances of Very High Concern (SVHC) in all of these products.

## Product Environmental Profile (PEP)

Schneider Electric publishes complete set of environmental data, including carbon footprint and energy consumption data for each of the life cycle phases on all of its products, in compliance with the ISO 14025 PEP ecopassport program. Product environmental profile is especially useful for monitoring, controlling, saving energy, and/or reducing carbon emissions.



## End of Life Instructions (EoLI)

The end of life instructions are in compliance with the Waste Electrical and Electronic Equipment (WEEE) directive and provide:

- Recyclability rates for Schneider Electric products.
- Guidance to mitigate personnel hazards during the dismantling of products and before recycling operations.
- Part identification for recycling or for selective treatment, to mitigate environmental hazards/incompatibility with standard recycling processes.

---

# MasterPacT MTZ2/MTZ3 Normal Operation

## What's in This Part

Device Operating Actions.....	43
Drawout Device Racking Actions.....	72
Device Locking Actions.....	90
Device Interlocking Actions.....	108

# Device Operating Actions

## What's in This Chapter

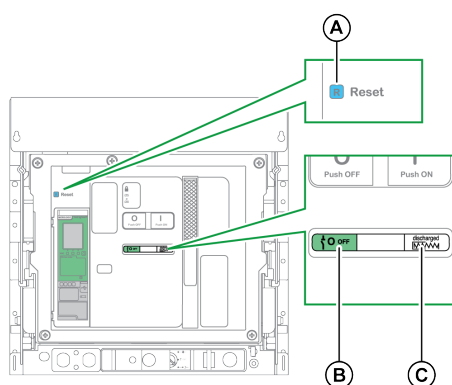
Operating the Device .....	44
Control Modes .....	48
Opening the Device .....	54
Closing the Device .....	57
Resetting the Circuit Breaker .....	60
Engaging the ERMS Function .....	61
Operating Accessories.....	64

# Operating the Device

## Device Status

The indicators on the front of the device show the following information:

- Reset button:
  - In: the device is closed or open voluntarily (not tripped)
  - Out: the device has tripped
- Position indicator of main contacts: ON or OFF.
- Closing spring and ready-to-close indicator. The state can be one of the following:
  - Discharged (no energy to close the circuit breaker)
  - Charged not ready-to-close
  - Charged ready-to-close



**A** Reset button

**B** Position indicator of main contacts




**C** Closing spring and ready-to-close indicator

The combination of both indicators gives the device status:

Position indicator of main contacts	Closing spring and ready-to-close indicator	Device status description
		Device is off (main contacts are open) and closing spring is discharged.
		Device is off (main contacts are open) and closing spring is charged. The device is not ready-to-close because at least one of the following conditions is true: <ul style="list-style-type: none"> <li>• The device has tripped and must be reset.</li> <li>• The MX opening voltage release is energized.</li> <li>• The MN undervoltage release is not energized.</li> <li>• The device is mechanically locked in the open position by using padlock or keylock or by using an interlocking system.</li> </ul>
		Device is off (main contacts are open) and closing spring is charged. The device is ready-to-close.
		Device is on (main contacts are closed) and closing spring is discharged.
		Device is on (main contacts are closed) and closing spring is charged. The device is not ready-to-close because it is already closed.

## Device Indication Contacts

The position of the device main contacts is indicated by OF indication contacts.

Name	Contact number	Position of indicators and contacts		
Device status	–	ON	OFF	Tripped (by MicroLogic X control unit)
Position indicator of main contacts	–			
Main contact position	–	Closed	Open	Open
Reset button position	–	IN	IN	OUT
OF indication contact position	1–2	Open	Closed	Closed
	1–4	Closed	Open	Open
SDE indication contact position	1–2	Closed	Closed	Open
	1–4	Open	Open	Closed

## Anti-Pumping Function

MasterPacT MTZ devices provide a mechanical anti-pumping function. In the event of simultaneous maintained opening and closing orders, the standard mechanism blocks the main contacts in the open position. After a trip due to an electrical fault or intentional opening using the manual or electrical controls, the closing order must first be discontinued, then reactivated to close the circuit breaker. This prevents a cycle of closing and opening.

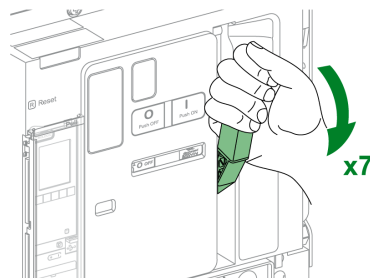
When remote operation features are used, allow at least four seconds for the MCH gear motor to charge the device closing spring completely before the XF closing voltage release is actuated.

To prevent the device from closing prematurely, the PF ready-to-close contact can be series connected with the XF closing voltage release.

## Charging the Closing Spring

The closing spring must be charged with sufficient energy to close the MasterPacT MTZ device:

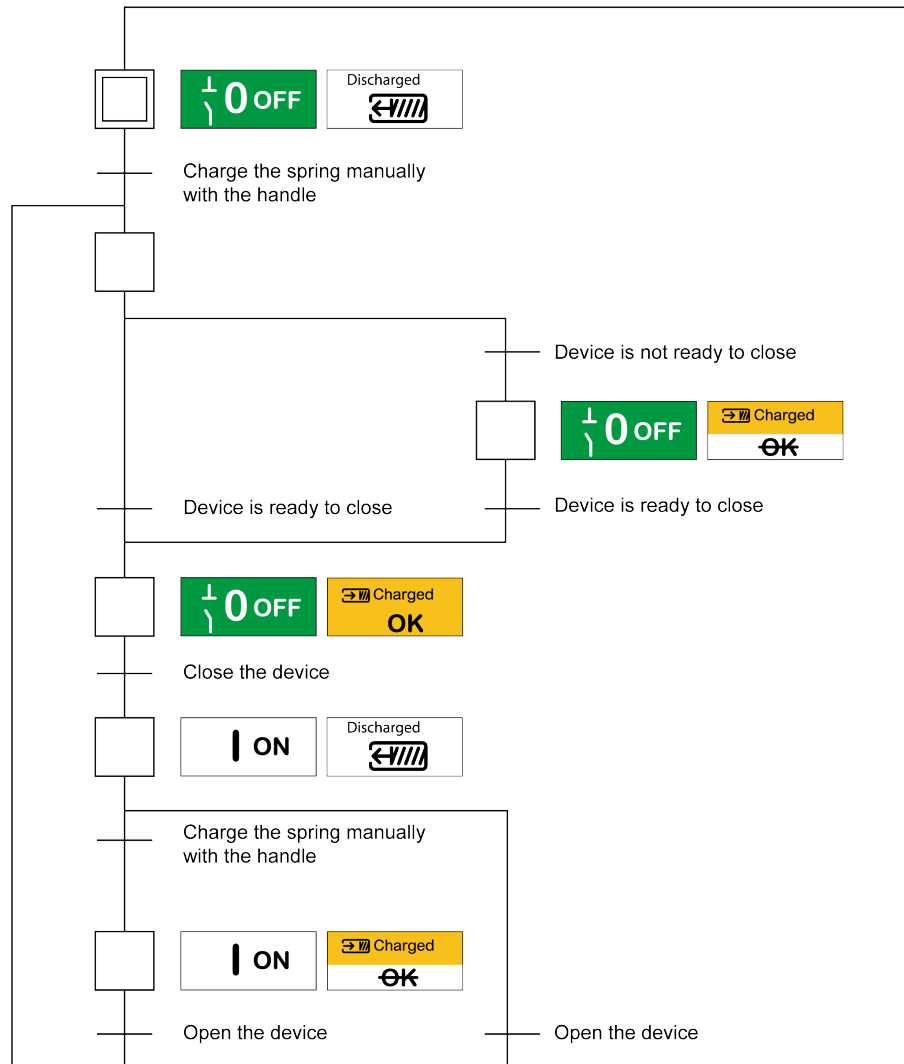
- Manual charge: Charge the mechanism by pulling the spring charging handle down seven times.



- Automatic charge: If the optional MCH gear motor is installed, the spring is automatically charged after closing.

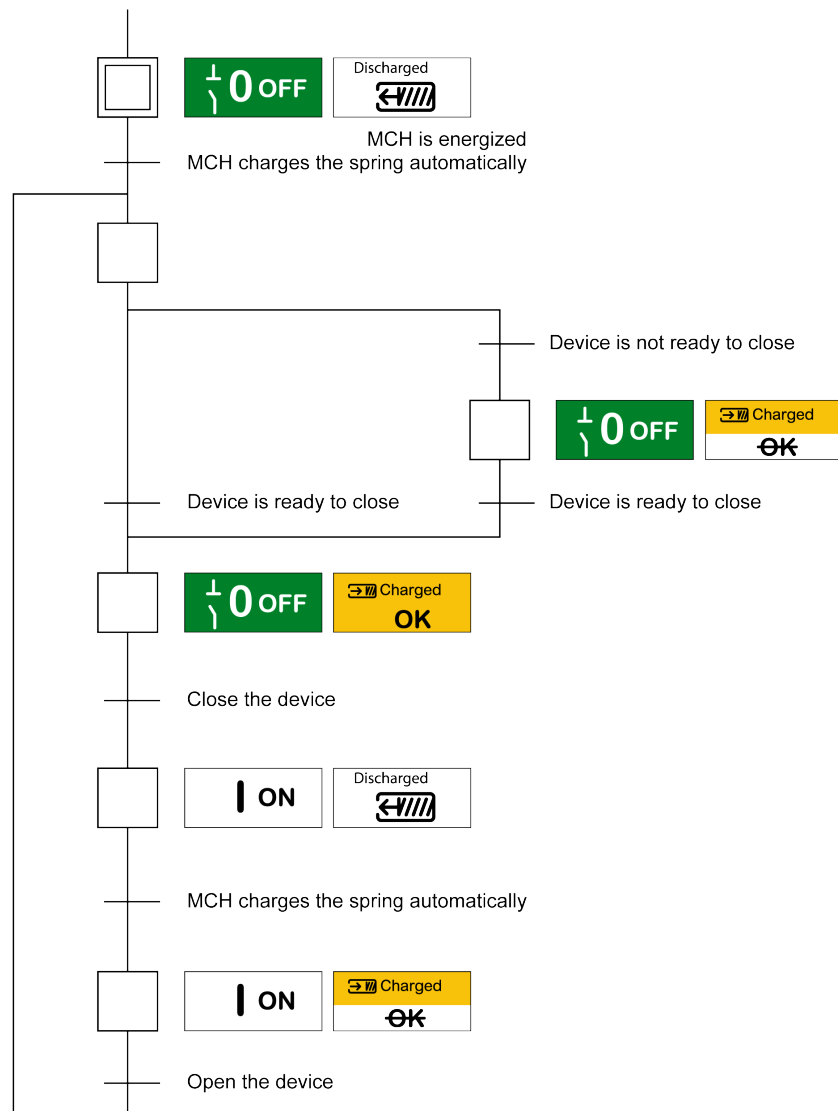
## Manual Operation Cycle with the Spring Charging Handle

The following image shows an Open/Close/Open (OCO) cycle for manually charged devices without MCH gear motor:



## Electrical Operation Cycle with an MCH Gear Motor

The following image shows an Open/Close/Open (OCO) cycle for electrically charged devices using an MCH gear motor:



# Control Modes

## Presentation

The circuit breaker control mode is a MicroLogic X setting which defines the means to control the opening and closing functions of the circuit breaker.

Two control modes are available: Manual and Auto.

Manual control mode only accepts orders made using one of the following:

- The mechanical buttons on the front of the circuit breaker.
- The external pushbutton connected to the MN/MX/XF voltage releases.
- The BPFE electrical closing pushbutton.

Auto control mode has two settings: Local or Remote. All orders accepted in Manual control mode are accepted in Auto control mode, as well as orders from local or remote communication as follows:

- Auto Local: the operator needs to be close to the circuit breaker to establish communication and only orders sent from a local source through communication are accepted:
  - EcoStruxure Power Commission software through USB connection
  - EcoStruxure Power Device app with MasterPacT Operation Assistant Digital Module through Bluetooth or USB OTG connection
- Auto Remote: the operator does not need to be next to the circuit breaker to establish communication and orders are accepted only when sent from a remote source through the communication network.

**NOTE:** EcoStruxure Power Commission software connected through the communication network can be used to send control orders to the circuit breaker.

The control mode factory setting is Auto Remote.

**NOTE:** The switch-disconnector control mode corresponds to the Manual control mode of circuit breakers. To operate a switch-disconnector through communication, it is possible to use an IO module. Refer to *Enerlin'X IO - Input/Output Application Module for One Circuit Breaker - User Guide* in **Related Documents** at the beginning of this guide.

## Operation According to Control Mode Configured

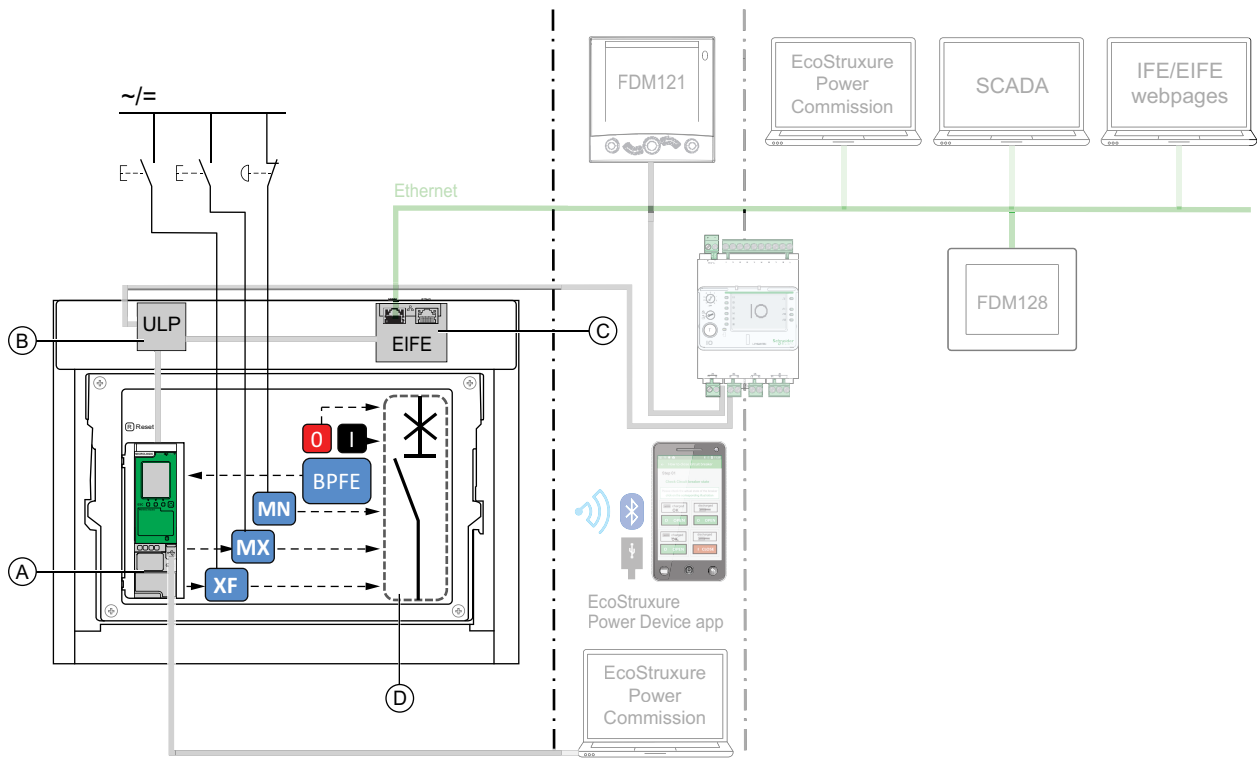
The following table summarizes the opening and closing operations available, depending on the control mode configured:

Control mode	Type of order and delivery method									
	Mechanical	Electrical		Through communication						
	Pushbutton	BPFE	Point to point (voltage release)	IO module	FDM121 display	EcoStruxure Power Commission software <sup>(1)</sup>	EcoStruxure Power Device app + MasterPacT Operation Assistant Digital Module <sup>(2)</sup>	Communication network	FDM128 display	IFE/EIFE Weblogs
Manual	✓	✓	✓	–	–	–	–	–	–	–
Auto: Local	✓	✓	✓	✓ <sup>(3)</sup>	✓	✓	✓	–	–	–
Auto: Remote	✓	✓	✓	✓ <sup>(3)</sup>	–	–	–	✓	✓	✓

(1) Through USB  
 (2) Through Bluetooth or USB OTG  
 (3) According to IO input mode setting



## Operation in Manual Control Mode

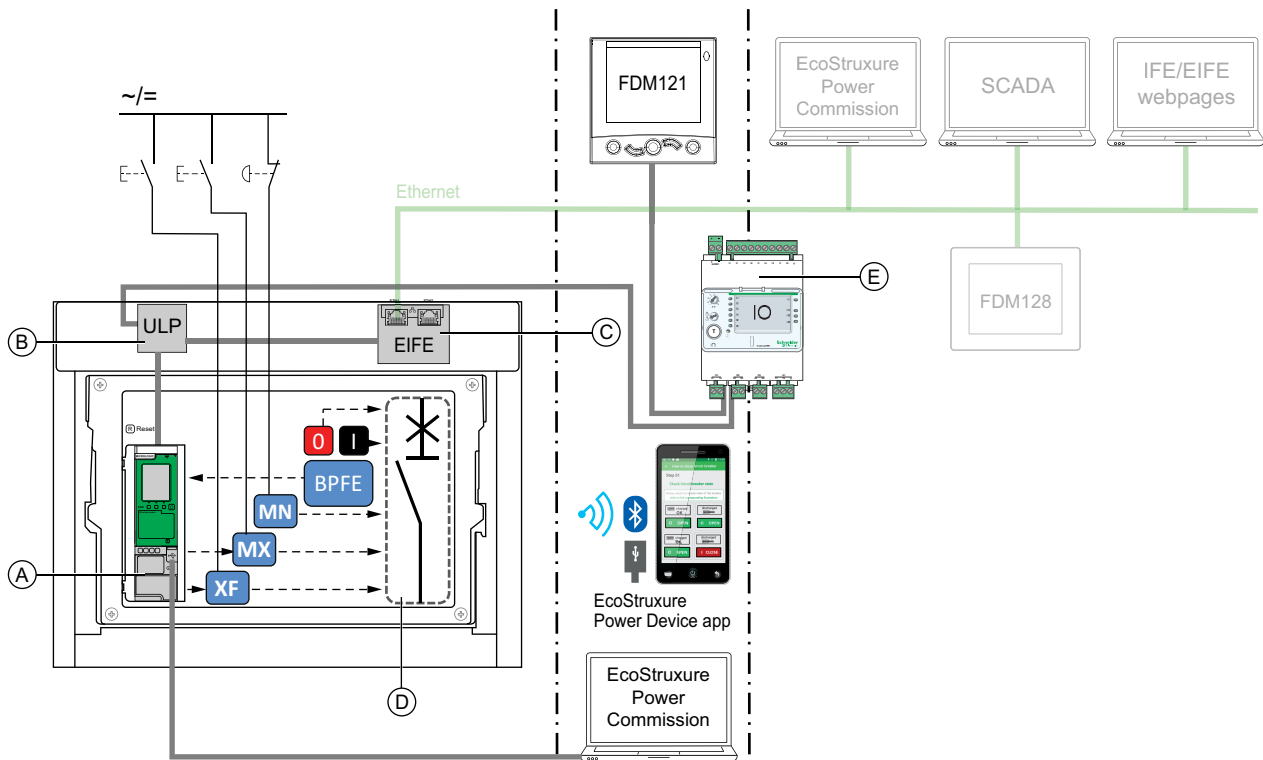


- A** MicroLogic X control unit
- B** ULP port module
- C** EIFE embedded Ethernet interface
- D** Circuit breaker mechanism

Opening and closing operations available in Manual control mode:

- 0: mechanical opening pushbutton
- 1: mechanical closing pushbutton
- BPFE: electrical closing pushbutton
- External pushbuttons wired by customer, and connected to:
  - XF: standard or communicating and diagnostic closing voltage release
  - MX: standard or communicating and diagnostic opening voltage release
  - MN: standard or diagnostic undervoltage release

## Operation in Auto: Local Mode

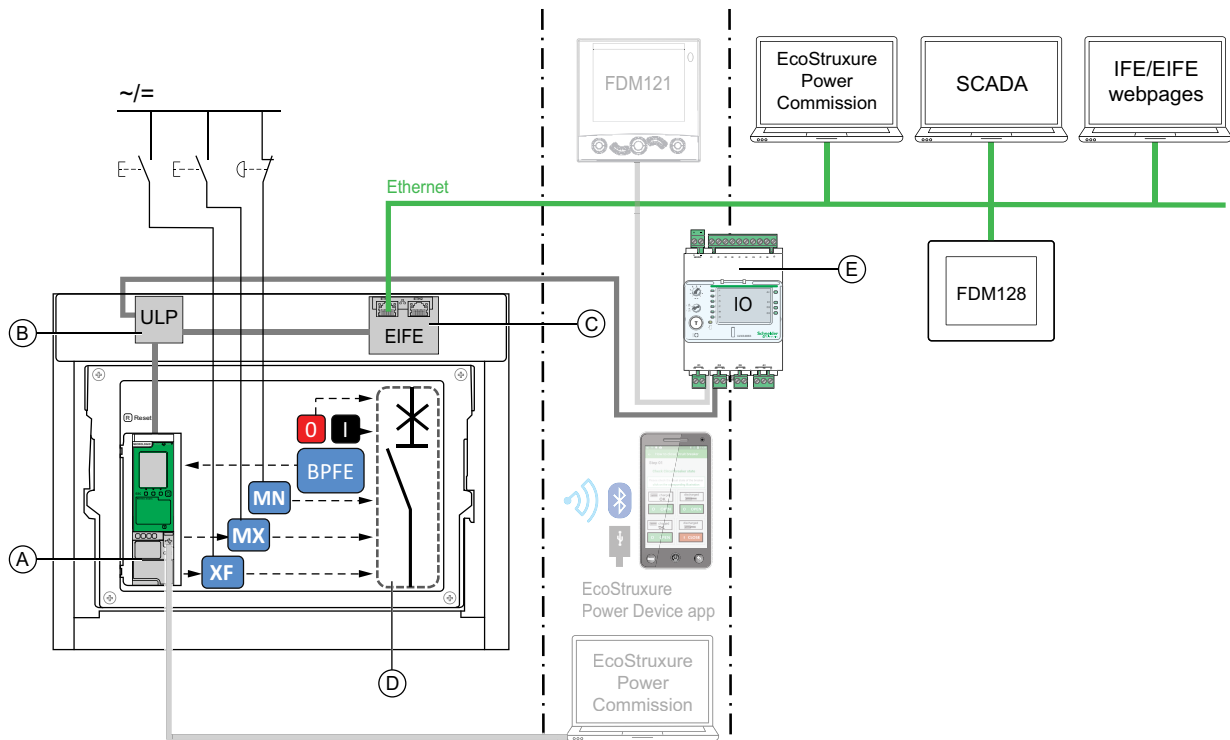


- A** MicroLogic X control unit
- B** ULP port module
- C** EIFE embedded Ethernet interface
- D** Circuit breaker mechanism
- E** IO input/output application module

Opening and closing operations available in Auto: Local mode:

- 0: mechanical opening pushbutton
- 1: mechanical closing pushbutton
- BPFE: electrical closing pushbutton
- External pushbuttons wired by customer, and connected to:
  - XF: communicating and diagnostic closing voltage release
  - MX: communicating and diagnostic opening voltage release
  - MN: standard or diagnostic undervoltage release
- IO: with the Breaker Operation predefined application of the IO module set to local control mode
- EcoStruxure Power Commission software: command sent through USB connection
- EcoStruxure Power Device app with MasterPacT Operation Assistant Digital Module:
  - Through Bluetooth low energy wireless communication
  - Through USB OTG connection

## Operation in Auto: Remote Mode



- A** MicroLogic X control unit
- B** ULP port module
- C** EIFE embedded Ethernet interface
- D** Circuit breaker mechanism
- E** IO input/output application module

Opening and closing operations available in Auto: Remote mode:

- 0: mechanical opening pushbutton
- 1: mechanical closing pushbutton
- BPFE: electrical closing pushbutton
- External pushbuttons wired by customer, and connected to:
  - XF: communicating and diagnostic closing voltage release
  - MX: communicating and diagnostic opening voltage release
  - MN: standard or diagnostic undervoltage release
- IO: with the Breaker Operation predefined application of the IO module set to remote control mode
- Communication: remote command through IFE, EIFE, or IFM interface.

## Setting the Control Mode

The Auto or Manual control mode can be set as follows:

- On the MicroLogic X display screen, at **Home > Configuration > Communication > Control Mode > Mode**.
- With the EcoStruxure Power Device app through Bluetooth or USB OTG connection.

The Local or Remote mode can be set as follows:

- When the IO module is used with the Breaker Operation predefined application, the local or remote mode is defined only by the control mode selector switch wired on the digital input I1 of the IO module.
- When the IO module is not used with the Breaker Operation predefined application, the local or remote mode can be set as follows:
  - With EcoStruxure Power Commission software through USB connection.
  - With the EcoStruxure Power Device app through Bluetooth or USB OTG connection.
  - With the FDM121 display connected to the MicroLogic X control unit through the ULP system.

### NOTE:

- The Local or Remote mode cannot be set on the MicroLogic X display screen.
- When Auto control mode is set, the control mode is Auto Local or Auto Remote, depending on the last setting.

## Displaying the Control Mode

The control mode (Manual, Auto Local, or Auto Remote) is displayed as follows:

- On the MicroLogic X display screen, at **Home > Configuration > Communication > Control Mode > Mode**
- With EcoStruxure Power Commission software through USB connection
- With the EcoStruxure Power Device app through Bluetooth or USB OTG connection
- On the IFE/EIFE webpages
- By a remote controller using the communication network.

## Predefined Events

Changing the control mode settings generates the following events:

Code	Event	History	Severity
0x1002 (4098)	<b>Manual mode enabled</b>	Operation	Low
0x1004 (4100)	<b>Local mode enabled</b>	Operation	Low
0x0D0D (3341)	<b>Config. error IO and CU - Local/Remote mode</b>	Configuration	Medium

## Recommended Actions

Code	Event	Recommended actions
0x0D0D (3341)	<b>Config. error IO and CU - Local/Remote mode</b>	Correct the configuration error with EcoStruxure Power Commission: <ul style="list-style-type: none"><li>• If you want the L/R mode to be controlled by the IO module, connect an IO module with L/R mode assignment.</li><li>• If you do not want the L/R mode to be controlled by the IO module, connect an IO module without L/R mode assignment.</li></ul>

## Opening the Device

### Opening Conditions

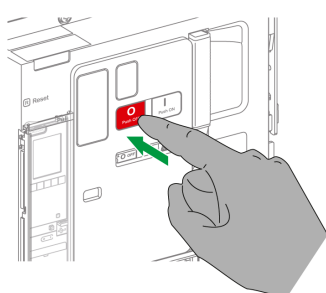
To open the device, the device must be closed (I).

**NOTE:** An opening order always takes priority over a closing order.

### Opening the Device

The following tables present the different ways to open the device in the different control modes available.

The device can be opened in the following ways in **all** control modes:

Opening type	Control mode	Accessories	Opening action
Mechanical	Manual, Auto: Local, or Auto: Remote	–	<p>Press the opening pushbutton on the front of the device.</p> <p>This opening action is possible at any time.</p> 
Automatic	Manual, Auto: Local, or Auto: Remote	MN undervoltage release, with or without MN delay unit	The MN undervoltage release opens the device automatically in the case of voltage drop.
By external pushbutton	Manual, Auto: Local, or Auto: Remote	<ul style="list-style-type: none"> <li>• External pushbutton wired by customer</li> <li>• One of the following accessories: <ul style="list-style-type: none"> <li>◦ MX standard or communicating opening voltage release</li> <li>◦ MN undervoltage release, with or without MN delay unit</li> </ul> </li> </ul>	<p>Press the external pushbutton which is connected to the MX opening voltage release or to the MN undervoltage release via the customer terminal block.</p> <p>When the MN undervoltage release is connected to the MN delay unit, the device opens with the corresponding time delay.</p>

In addition, the circuit breaker can be opened in the following ways when **Auto** control mode is configured.

**⚡ ⚠ DANGER**

**HAZARD OF ELECTRIC SHOCK, EXPLOSION, OR ARC FLASH**

- Do not operate the circuit breaker without confirming that doing so will not create a hazardous situation.
- Do not allow any person to work on the electrical network without physically validating the successful execution of the local or remote software actions for opening the circuit breaker or switching off the electrical circuit.

**Failure to follow these instructions will result in death or serious injury.**

Opening type	Control mode	Accessories	Opening action
Through IO module	Auto: Local or Auto: Remote	<ul style="list-style-type: none"> <li>• MX communicating opening voltage release</li> <li>• Isolation module</li> <li>• ULP port module</li> <li>• IO module</li> </ul>	<p>Open the circuit breaker by using the predefined application 2 Breaker Operation of the IO module.</p> <ul style="list-style-type: none"> <li>• When the circuit breaker is set to local control mode by the IO module, the command to open is issued from local pushbuttons wired on digital inputs.</li> <li>• When the circuit breaker is set to remote control mode by the IO module, the command to open is issued from remote PLC outputs wired on digital inputs.</li> </ul> <p>Refer to DOCA0055** <i>Enerlin'X IO – Input/Output Application Module for One IEC Circuit Breaker – User Guide</i>, page 8.</p>
Through FDM121 display	Auto: Local	<ul style="list-style-type: none"> <li>• MX communicating opening voltage release</li> <li>• Isolation module</li> <li>• ULP port module</li> <li>• IO module</li> </ul>	<p>Send a command to open the circuit breaker from FDM121 display connected locally to the circuit breaker through the ULP system.</p> <p>The opening action is password-protected.</p>
Through EcoStruxure Power Commission software	Auto: Local	<ul style="list-style-type: none"> <li>• MX communicating opening voltage release</li> <li>• Isolation module</li> </ul>	<p>Send a command to open the circuit breaker from EcoStruxure Power Commission software running on a PC connected locally to the device through the mini USB port on the MicroLogic X control unit.</p> <p>This opening action is password-protected.</p> <p>Refer to <i>EcoStruxure Power Commission Online Help</i>.</p>
Through EcoStruxure Power Device app	Auto: Local	<ul style="list-style-type: none"> <li>• MX communicating opening voltage release</li> <li>• Isolation module</li> <li>• MasterPacT Operation Assistant Digital Module</li> </ul>	<p>Send a command to open the circuit breaker from the EcoStruxure Power Device app with MasterPacT Operation Assistant Digital Module, through Bluetooth wireless communication or USB OTG connection. The opening action is password-protected.</p>
Through Modbus communication	Auto: Remote	<ul style="list-style-type: none"> <li>• MX communicating opening voltage release</li> <li>• Isolation module</li> <li>• ULP port module</li> <li>• IFE, EIFE, or IFM interface, or IFE server</li> </ul>	<p>Send a command to open the circuit breaker through the Modbus communication network.</p> <p>This opening action is password-protected.</p> <p>Refer to DOCA0105** <i>MasterPacT MTZ – Modbus Communication – User Guide</i>, page 8.</p> <p><b>NOTE:</b> EcoStruxure Power Commission software running on a PC connected to the device through the communication network can be used to send commands to open.</p>

Opening type	Control mode	Accessories	Opening action
Through IEC 61850 communication	Auto: Remote	<ul style="list-style-type: none"> <li>• MX communicating opening voltage release</li> <li>• Isolation module</li> <li>• ULP port module</li> <li>• IFE or EIFE interface</li> <li>• IEC 61850 for MasterPacT MTZ Digital Module</li> </ul>	<p>Send a command to open the circuit breaker through the IEC 61850 communication network.</p> <p>This opening action is password-protected.</p> <p>Refer to DOCA0162** <i>MasterPacT MTZ - IEC 61850 Communication Guide</i>, page 8.</p>
Through IFE/EIFE webpages	Auto: Remote	<ul style="list-style-type: none"> <li>• MX communicating opening voltage release</li> <li>• Isolation module</li> <li>• ULP port module</li> <li>• IFE or EIFE interface, or IFE server</li> </ul>	<p>Send a command to open the circuit breaker from the IFE/EIFE control webpage.</p> <p>This opening action is password-protected.</p> <p>Refer to the relevant document:</p> <ul style="list-style-type: none"> <li>• DOCA0084** <i>Enerlin'X IFE – Ethernet Switchboard Server – User Guide</i>, page 8</li> <li>• DOCA0142** <i>Enerlin'X IFE - Ethernet Interface for One Circuit Breaker – User Guide</i>, page 8</li> <li>• DOCA0106** <i>Enerlin'X EIFE – Embedded Ethernet Interface for One MasterPacT MTZ Drawout Circuit Breaker – User Guide</i>, page 8</li> </ul>

If the device does not open, refer to *Troubleshooting*, page 161.



## Closing the Device

### Closing Conditions

To close the device, the following conditions must be met:

- Device is open (O).
- Closing spring is charged.
- The device is ready to close, **OK** is displayed.

**NOTE:** An opening order always takes priority over a closing order. The device cannot be closed while an opening order is being received. If **OK** is crossed-out on the ready-to-close indicator, an order to open is being received (either electrically or mechanically) and must be ended before **OK** can be displayed.

### **⚠️ DANGER**

#### **HAZARD OF ELECTRIC SHOCK, EXPLOSION, OR ARC FLASH**

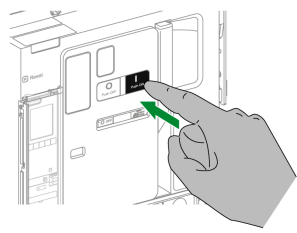
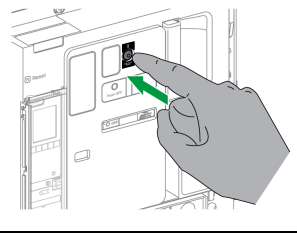
Do not re-close the device on an electrical fault. First inspect and, if necessary, repair the downstream equipment.

**Failure to follow these instructions will result in death or serious injury.**

## Closing the Device

The following tables present the different ways to close the device in the different control modes available.

The device can be closed in the following ways in **all** control modes:

Closing type	Control mode	Accessories	Closing action
Mechanical	Manual, Auto: Local, or Auto: Remote	–	<p>Press the closing pushbutton on the front of the device.</p> <p>The closing action is possible when the closing conditions are met.</p> 
Electrical with BPFE	Manual, Auto: Local, or Auto: Remote	<ul style="list-style-type: none"> <li>• BPFE electrical closing pushbutton</li> <li>• XF communicating closing voltage release</li> <li>• Isolation module</li> </ul>	<p>Press the BPFE electrical closing pushbutton, mounted on the front cover.</p> <p>The closing action takes into account internal closing conditions of the device and the external conditions that are part of the control and monitoring system of the installation.</p> 
External pushbutton	Manual, Auto: Local, or Auto: Remote	<ul style="list-style-type: none"> <li>• External pushbutton wired by customer</li> <li>• XF standard or communicating closing voltage release</li> <li>• Isolation module</li> <li>• MCH gear motor</li> </ul>	<p>Press the external pushbutton, which is connected to the XF closing voltage release through the customer terminal block.</p>

In addition, the circuit breaker can be closed in the following ways when **Auto** control mode is configured.

**⚡ ⚠ DANGER**

**HAZARD OF ELECTRIC SHOCK, EXPLOSION, OR ARC FLASH**

- Do not operate the circuit breaker without confirming that doing so will not create a hazardous situation.
- Do not allow any person to work on the electrical network without physically validating the successful execution of the local or remote software actions for closing the circuit breaker or switching on the electrical circuit.

**Failure to follow these instructions will result in death or serious injury.**

Closing type	Control mode	Accessories	Closing action
Through IO module	Auto: Local or Auto: Remote	<ul style="list-style-type: none"> <li>• XF communicating closing voltage release</li> <li>• Isolation module</li> <li>• MCH gear motor</li> <li>• ULP port module</li> <li>• IO module</li> </ul>	<p>Close the circuit breaker by using the predefined application 2 Breaker Operation of the IO module:</p> <ul style="list-style-type: none"> <li>• When the circuit breaker is set to local control mode by the IO module, the command to close is issued from local pushbuttons wired on digital inputs.</li> <li>• When the circuit breaker is set to remote control mode by the IO module, the command to close is issued from remote PLC outputs wired on digital inputs.</li> </ul> <p>Refer to DOCA0055** <i>Enerlin'X IO – Input/Output Application Module for One IEC Circuit Breaker – User Guide</i>, page 8.</p>
Through FDM121 display	Auto: Local	<ul style="list-style-type: none"> <li>• XF communicating closing voltage release</li> <li>• Isolation module</li> <li>• MCH gear motor</li> <li>• ULP port module</li> <li>• IO module</li> </ul>	<p>Send a command to close the circuit breaker from FDM121 display connected locally to the circuit breaker through the ULP system.</p> <p>The closing action is password-protected.</p>
Through EcoStruxure Power Commission software	Auto: Local	<ul style="list-style-type: none"> <li>• XF communicating closing voltage release</li> <li>• Isolation module</li> <li>• MCH gear motor</li> </ul>	<p>Send a command to close the circuit breaker from EcoStruxure Power Commission software running on a PC connected locally to the circuit breaker through the mini USB port on the MicroLogic X control unit.</p> <p>The closing action is password-protected.</p> <p>Refer to <i>EcoStruxure Power Commission Online Help</i>.</p>
Through EcoStruxure Power Device app	Auto: Local	<ul style="list-style-type: none"> <li>• XF communicating closing voltage release</li> <li>• Isolation module</li> <li>• MCH gear motor</li> <li>• MasterPacT Operation Assistant Digital Module</li> </ul>	<p>Send a command to close the circuit breaker from the EcoStruxure Power Device app with MasterPacT Operation Assistant Digital Module, through Bluetooth wireless communication or USB OTG connection.</p> <p>The closing action is password-protected.</p>
Through Modbus communication	Auto: Remote	<ul style="list-style-type: none"> <li>• XF communicating closing voltage release</li> <li>• Isolation module</li> <li>• MCH gear motor</li> <li>• ULP port module</li> <li>• IFE, EIFE, or IFM interface, or IFE server</li> </ul>	<p>Send a command to close the circuit breaker through the Modbus communication network.</p> <p>The closing action is password-protected.</p> <p>Refer to DOCA0105** <i>MasterPacT MTZ – Modbus Communication – User Guide</i>, page 8.</p> <p><b>NOTE:</b> EcoStruxure Power Commission software running on a PC connected to the circuit breaker through the communication network can be used to send commands to close.</p>

Device Operating Actions

Closing type	Control mode	Accessories	Closing action
Through IEC 61850 communication	Auto: Remote	<ul style="list-style-type: none"> <li>• XF communicating closing voltage release</li> <li>• Isolation module</li> <li>• MCH gear motor</li> <li>• ULP port module</li> <li>• IFE or EIFE interface</li> <li>• IEC 61850 for MasterPacT MTZ Digital Module</li> </ul>	<p>Send a command to close the circuit breaker through the IEC 61850 communication network.</p> <p>This closing action is password-protected.</p> <p>Refer to DOCA0162** <i>MasterPacT MTZ - IEC 61850 Communication Guide</i>, page 8.</p>
Through IFE/EIFE webpages	Auto: Remote	<ul style="list-style-type: none"> <li>• XF communicating closing voltage release</li> <li>• Isolation module</li> <li>• MCH gear motor</li> <li>• ULP port module</li> <li>• IFE or EIFE interface, or IFE server</li> </ul>	<p>Send a command to close the circuit breaker from the IFE/EIFE control webpage.</p> <p>The closing action is password-protected.</p> <p>Refer to the relevant document:</p> <ul style="list-style-type: none"> <li>• DOCA0084** <i>Enerlin'X IFE – Ethernet Switchboard Server – User Guide</i>, page 8</li> <li>• DOCA0142** <i>Enerlin'X IFE - Ethernet Interface for One Circuit Breaker – User Guide</i>, page 8</li> <li>• DOCA0106** <i>Enerlin'X EIFE – Embedded Ethernet Interface for One MasterPacT MTZ Drawout Circuit Breaker – User Guide</i>, page 8</li> </ul>

If the device does not close, refer to *Troubleshooting*, page 161.

## Inhibiting the Closing Function

The closing function can be inhibited by sending a command through:

- The communication network or EcoStruxure Power Commission software
- The IO module

**NOTE:** Using EcoStruxure Power Commission software, you can determine whether the closing inhibition can be controlled using the IO module. For more information, refer to *EcoStruxure Power Commission Online Help*.

<b>⚠ WARNING</b>
<p><b>RESTRICTED CLOSING INHIBITION</b></p> <p>Do not use the inhibit closing order to lock the circuit breaker in open position.</p> <p><b>Failure to follow these instructions can result in death, serious injury, or equipment damage.</b></p>

The inhibit close order inhibits only the closing orders allowed in Auto control mode. The closing orders issued from the mechanical closing pushbutton or BPF, or from the pushbutton directly connected to the XF voltage release are not inhibited.

## Resetting the Circuit Breaker

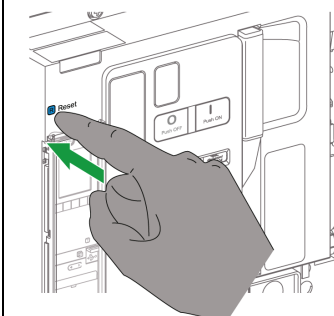
### Resetting Conditions

After a trip, the circuit breaker must be reset before closing it.

Resetting is possible in all control modes.

### Resetting the Circuit Breaker

The circuit breaker can be reset in different ways, according to the circuit breaker configuration and its accessories:

Type of resetting	Accessories	Resetting action
Mechanical with the blue fault-trip reset button	–	<p>Push in the blue fault-trip reset button on the front of the circuit breaker. This resetting action is always possible. Pushing in the blue fault-trip reset button resets the SDE fault-trip indication contact, and allows the circuit breaker to be closed.</p> 
Automatic (RAR automatic reset option)	<ul style="list-style-type: none"> <li>• XF communicating or standard closing voltage release</li> <li>• Isolation module</li> <li>• MCH gear motor</li> </ul>	<p>After a trip, RAR automatic reset allows the circuit breaker to be closed without the blue fault-trip reset button being pushed in. The use of XF closing voltage release is compulsory with this option.</p> <p>The mechanical indicator and the SDE fault-trip indication contact remain in detected fault position.</p> <p>To reset the SDE fault-trip indication contact and the mechanical indicator, push in the blue fault-trip reset button.</p>
Electrical with external pushbutton	<ul style="list-style-type: none"> <li>• External pushbutton wired by customer</li> <li>• RES electrical remote reset</li> <li>• XF communicating or standard closing voltage release</li> <li>• Isolation module</li> <li>• MCH gear motor</li> </ul>	<p>Press the external pushbutton which is connected to the RES electrical remote reset via the customer terminal block.</p> <p>The use of XF closing voltage release is compulsory with this option.</p> <p>The RES electrical remote reset resets the SDE fault-trip indication contact and the mechanical indicator, and allows the circuit breaker to be closed.</p> <p><b>NOTE:</b> The RES electrical remote reset is not compatible with the SDE2 option.</p>

# Engaging the ERMS Function

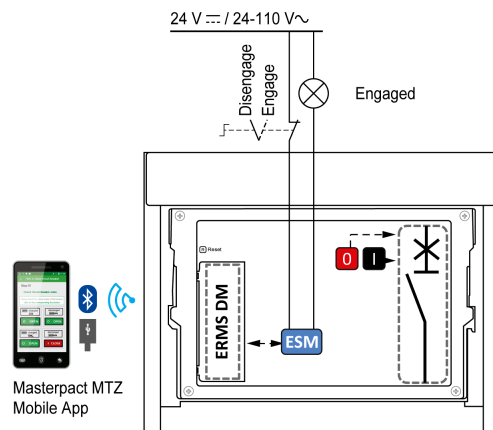
## Presentation

Engage the ERMS function to reduce protection settings so that the circuit breaker trips as soon as possible when an internal arc fault occurs. Minimizing the time between fault and trip helps to reduce the risk of injury when qualified electrical personnel are near energized equipment.

## Conditions for Engaging the ERMS Function

The ERMS function is available when the Energy Reduction Maintenance Settings Digital Module is purchased and installed on the MicroLogic X control unit.

## Operating Principle



The ERMS function can be engaged as follows:

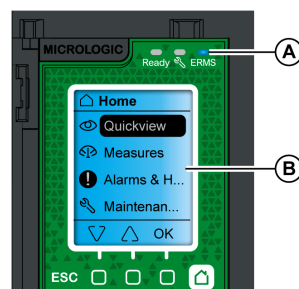
- With the EcoStruxure Power Device app (password-protected).  
There is a digital lock between a smartphone running the EcoStruxure Power Device app and the MicroLogic X control unit.
- By using an external selector switch connected to the optional ESM ERMS switch module.

The ESM module is installed in the circuit breaker and is connected to an external selector switch, which can be padlocked. The ERMS function is engaged by turning the external selector switch.

The ERMS function can be engaged with both the EcoStruxure Power Device app (password-protected) and an external selector switch.

The ERMS function must be disengaged by the interface that engaged it:

- If it is engaged on a smartphone, it must be disengaged by the same smartphone.
- If it is engaged by the external ERMS switch connected to the ESM module, it must be disengaged by the ERMS switch.
- If it is engaged by both smartphone and ERMS switch, it must be disengaged by both smartphone and ERMS switch.



While the ERMS function is engaged:

- A blue ERMS LED (A) is lit on the front face of the MicroLogic X control unit
- Quick View scrolling is interrupted and the **ERMS engaged** message is displayed with a blue backlight
- All screens, except pop-up messages, are displayed with a blue backlight

For more information, refer to DOCA0102•• *MasterPacT MTZ – MicroLogic X Control Unit – User Guide* in **Related Documents** at the beginning of this guide.

## Engaging the ERMS Function

### NOTICE

#### HAZARD OF LOSS OF POWER

Ensure that the ERMS protection settings are properly configured prior to engagement.

**Failure to follow these instructions can result in loss of service due to power loss.**

The ERMS can be engaged in different ways, according to the circuit breaker configuration and its accessories:

Type	Accessories	Action
Through EcoStruxure Power Device app	–	Send a command from the EcoStruxure Power Device app to engage the ERMS function, through Bluetooth wireless communication or USB OTG connection. The action is password-protected.
Through an external selector switch connected to the ESM module	<ul style="list-style-type: none"> <li>ESM ERMS switch module</li> <li>External selector switch</li> </ul>	Turn the external selector switch to the Engaged position

## Disengaging the ERMS Function

### DANGER

#### HAZARD OF ELECTRIC SHOCK, EXPLOSION, OR ARC FLASH

Prior to disengaging ERMS:

- Carefully inspect your work area, and remove any tools and objects left inside the equipment.
- Ensure that all personnel are away from the equipment, and devices, doors, and covers are in place.

**Failure to follow these instructions will result in death or serious injury.**

A digital lock function establishes a digital lock between a smartphone running the EcoStruxure Power Device app and the MicroLogic X control unit when ERMS is engaged by the smartphone. The digital lock function ensures that when the ERMS function is engaged by a smartphone, it must be disengaged by the same smartphone.

The way to disengage the ERMS function depends on how it was engaged:

Type	Accessories	Action
Through EcoStruxure Power Device app	–	Disengage the ERMS function on the same smartphone that engaged it
Through an external selector switch	<ul style="list-style-type: none"> <li>ESM ERMS switch module</li> <li>External selector switch</li> </ul>	Turn the external selector switch to the Disengaged position
Through EcoStruxure Power Device app and an external selector switch	<ul style="list-style-type: none"> <li>ESM ERMS switch module</li> <li>External selector switch</li> </ul>	<ul style="list-style-type: none"> <li>Disengage the ERMS function on the same smartphone that engaged it</li> <li>Turn the external selector switch to the Disengaged position</li> </ul>



## Operating Accessories

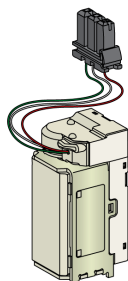
### XF, MX, and MN Voltage Releases

XF, MX, and MN voltage releases are optional accessories mounted inside the device. They can be of standard type or diagnostic and communicating type (standard or with diagnostic function for MN undervoltage release).

The standard voltage releases are designed to receive either pulse-type or maintained voltage operating orders.

### XF Closing Voltage Release (Standard or With Diagnostic and Communicating Function)

The XF closing voltage release closes the circuit breaker instantaneously when powered if the spring mechanism is charged. The minimum duration of the pulse operating order must be 200 ms.

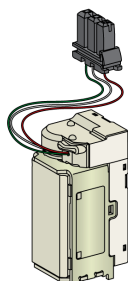


For information on installation, consult the instruction sheet on the Schneider Electric website:

- XF standard closing voltage release: NVE40749
- XF communicating closing voltage release: NVE40766

### MX Opening Voltage Release (Standard or With Diagnostic and Communicating Function)

The MX opening voltage release opens the circuit breaker instantaneously when powered. The minimum duration of the pulse operating order must be 200 ms. The MX standard opening voltage release locks the circuit breaker in OFF position if the command is maintained.



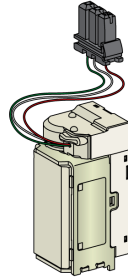
For information on installation, consult the instruction sheet on the Schneider Electric website:

- MX standard opening voltage release: NVE40749
- MX communicating opening voltage release: NVE40766



## MN Undervoltage Release (Standard or With Diagnostic Function)

The MN undervoltage release instantaneously opens the circuit breaker when its supply voltage drops to a value between 35% and 70% of its rated voltage. If there is no supply to the release, it is impossible to close the circuit breaker, either manually or electrically. Any attempt to close the circuit breaker has no effect on the main contacts. Circuit breaker closing is enabled again when the supply voltage of the release returns to 85% of its rated value.

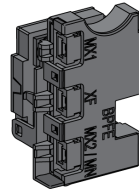


For information on installation, consult the instruction sheet on the Schneider Electric website:

- MN standard undervoltage release: NVE40749
- MN undervoltage release with diagnostic function: NVE40766

## Isolation Module for Communicating Voltage Releases

The internal isolation module for MicroLogic X control units provides double insulation in compliance with IEC 60664-1 (up to 12 kV). It also provides insulation between the XF, MX, and MN types of voltage release.



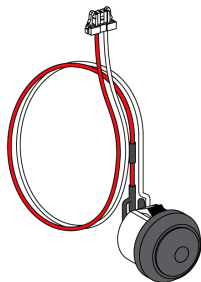
For information on installation, consult the instruction sheet on the Schneider Electric website: NVE40748.

## BPFE Electrical Closing Pushbutton

This is an optional accessory that is mounted on the front cover of the device.

The BPFE electrical closing pushbutton carries out electrical closing of the circuit breaker. It takes into account the internal closing conditions of the device and the external conditions that are part of the control and monitoring system of the installation. It connects to the XF standard or communicating closing voltage release.

If BPFE is being used, it is recommended to lock access to the closing pushbutton using the VBP accessory because the closing pushbutton does not take into account internal and external conditions.



For information on installation, consult the instruction sheet on the Schneider Electric website: [NVE40773](http://www.schneider-electric.com/NVE40773).

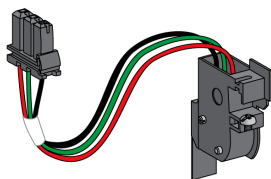
## PF Ready-to-close Contact

This is an optional accessory that is mounted inside the device.

The PF ready-to-close contact delivers remotely, the indication delivered locally by the ready-to-close indicator.

It consists of a changeover contact indicating remotely that the circuit breaker is ready to close, that is:

- The circuit breaker is in the open position.
- The spring mechanism is charged.
- There is no maintained opening order.

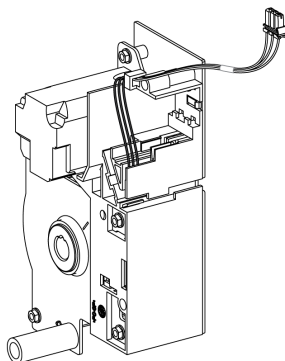


For information on installation, consult the instruction sheet on the Schneider Electric website: [NVE35466](http://www.schneider-electric.com/NVE35466).

## MCH Gear Motor

This is an optional accessory that is mounted inside the device.

The MCH gear motor automatically charges the spring mechanism when the device is closed, allowing instantaneous closing of the device following opening.



For information on installation, consult the instruction sheet on the Schneider Electric website: [NVE35483](http://www.schneider-electric.com/NVE35483).

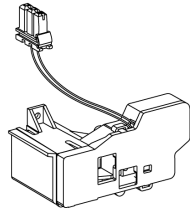
## RES Electrical Remote Reset

This is an optional accessory that is mounted inside the device.

Following tripping, this function resets the SDE fault-trip indication contact, and the mechanical indicator and enables circuit breaker closing.

The use of an XF closing release is compulsory with this option.

The RES electrical remote reset is not compatible with the SDE2 additional fault-trip indication contact because they are installed in the same physical place.



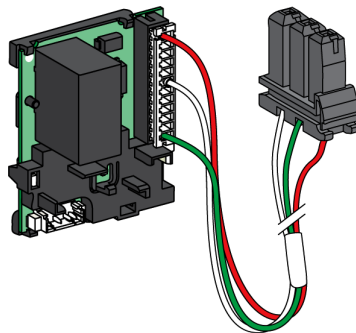
For information on installation, consult the instruction sheet on the Schneider Electric website: [NVE35503](http://NVE35503).

## ESM ERMS Switch Module

This is an optional accessory that is mounted inside the device.

The ESM ERMS switch module is used to engage ERMS protection settings. The ESM module works in conjunction with the ERMS Digital Module, which must also be installed.

The ESM ERMS switch module is not compatible with M2C programmable contacts because they are installed in the same physical place.

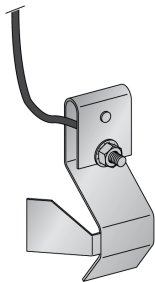


For installation of the ESM ERMS switch module, contact your Schneider Electric Services representative.

## KMT Grounding Kit

This is an optional accessory that is mounted inside the device.

This option allows the device mechanism to be grounded when the front cover is removed. The grounding is made through the chassis for the drawout version and through the mounting side plate for the fixed version.



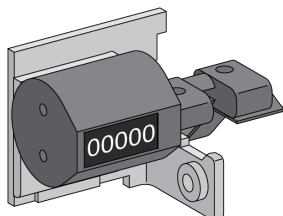
For information on installation, consult the instruction sheet on the Schneider Electric website: [NVE35480](http://NVE35480).

## CDM Mechanical Operation Counter

This is an optional accessory that is mounted inside the device.

The CDM mechanical operation counter counts the number of operating cycles and is visible on the front panel. It is compatible with manual and electrical control functions.

This option is compulsory for all source-changeover systems.



For information on installation, consult the instruction sheet on the Schneider Electric website: [NVE35485](http://NVE35485).

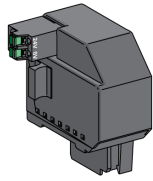
## ULP Port Module

The ULP port module is optional on the fixed circuit breaker and standard on the drawout circuit breaker. It is mounted with the terminal blocks of the circuit breaker.

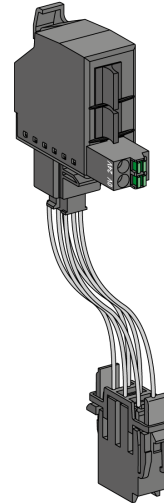
The ULP port module:

- Supplies the MicroLogic X control unit.
- Integrates the ULP termination.
- Allows the connection to external ULP modules, like the IO module or the IFE Ethernet interface.

Fixed circuit breaker:



Drawout circuit breaker:



For information on installation, consult the instruction sheet on the Schneider Electric website:

- ULP port module for fixed MasterPacT MTZ2/MTZ3: NVE40791
- ULP port module for drawout MasterPacT MTZ2/MTZ3: NVE40797

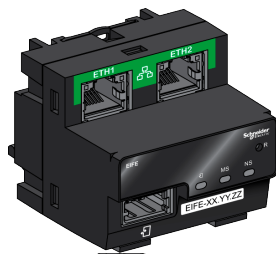
## EIFE Embedded Ethernet Interface

This is an optional accessory that is mounted on the chassis of the drawout circuit breaker.

The EIFE embedded Ethernet interface enables drawout MasterPacT MTZ circuit breakers to be connected to an Ethernet network with the following protocols:

- Modbus TCP/IP
- IEC 61850 with addition of the IEC 61850 for MasterPacT MTZ Digital Module

It provides digital access to all the data delivered by the MicroLogic X control unit. In addition, it monitors the position of the device in the chassis: connected, test, and disconnected.



For information on installation, consult the instruction sheet on the Schneider Electric website: NVE23550.

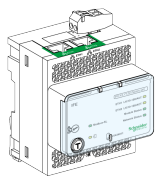
For information on usage, refer to DOCA0106•• *Enerlin'X EIFE – Embedded Ethernet Interface for One MasterPacT MTZ Drawout Circuit Breaker – User Guide*, page 8.

## IFE Ethernet Interface for One Circuit Breaker

The IFE Ethernet interface provides an Ethernet access to a single circuit breaker with the following protocols:

- Modbus TCP/IP
- IEC 61850 with addition of the IEC 61850 for MasterPacT MTZ Digital Module

The circuit breaker is connected to the IFE interface through the ULP port module and a prefabricated ULP cord.



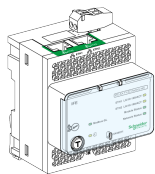
For information on installation, consult the instruction sheet on the Schneider Electric website: HRB49218.

For information on usage, refer to DOCA0142•• *Enerlin'X IFE - Ethernet Interface for One Circuit Breaker – User Guide*, page 8.

## IFE Ethernet Switchboard Server

The IFE Ethernet switchboard server provides an Ethernet access to one or several circuit breakers with the Modbus TCP/IP protocol. It allows the following communication architectures:

- One single circuit breaker connected to the IFE server through the ULP port module.
- Up to 11 circuit breakers through IFM Modbus-SL interfaces stacked to the IFE server.



For information on installation, consult the instruction sheet on the Schneider Electric website: HRB49218.

For information on usage, refer to DOCA0084•• *Enerlin'X IFE – Ethernet Switchboard Server – User Guide*, page 8.

## IFM Modbus-SL Interface for One Circuit Breaker

The IFM Modbus-SL interface provides an access to a Modbus serial line communication network to a single device. The device is connected to the IFM interface through the ULP port module and a prefabricated ULP cord.



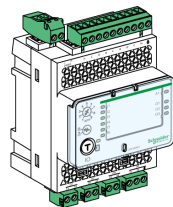
For information on installation, consult the instruction sheet on the Schneider Electric website: NVE85393.

## IO Input/Output Application Module for One Circuit Breaker

The IO input/output application module for one circuit breaker is one of the components of the ULP architecture.

The IO application module enhances control and monitoring functions, thanks to its built-in applications. Its resources are:

- Six digital inputs that are self-powered for either NO and NC dry contact or pulse counter.
- Three digital outputs that are bistable relay (5 A maximum).
- One analog input for Pt100 temperature sensor.



For information on installation, consult the instruction sheet on the Schneider Electric website: HRB49217.

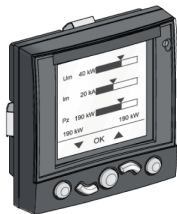
For information on usage, refer to DOCA055•• *Enerlin'X IO – Input/Output Application Module for One IEC Circuit Breaker – User Guide*, page 8.

## FDM121 Front Display Module for One Circuit Breaker

The FDM121 front display module for one circuit breaker shows the measurements, alarms, and operating assistance data from a single intelligent modular unit with a MasterPacT circuit breaker.

The FDM121 display can control the circuit breaker equipped with a motor mechanism.

The FDM121 display with firmware version 004.000.009 or greater is compatible with MicroLogic X control units. Earlier firmware versions need to be updated.



For information on installation, consult the instruction sheet on the Schneider Electric website: QGH80971.

For information on usage, refer to DOCA088•• *Enerlin'X FDM121 – Front Display Module for One Circuit Breaker – User Guide*, page 8.

---

# Drawout Device Racking Actions

## What's in This Chapter

Drawout MasterPacT MTZ2/MTZ3 Device Status .....	73
Disconnecting the Drawout Device .....	78
Connecting the Drawout Device .....	81
Removing the Drawout Device .....	84
Installing the Drawout Device in the Chassis.....	87



## Drawout MasterPacT MTZ2/MTZ3 Device Status

### Drawout Device Handling Conditions

Connection or disconnection of the drawout device requires insertion of the racking handle. When interlocks, padlocks, or an open door lock are in place, the racking handle cannot be inserted.

#### **DANGER**

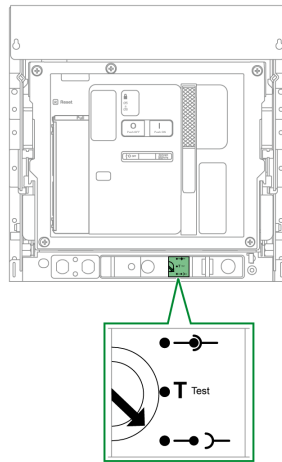
##### **HAZARD OF ELECTRIC SHOCK, EXPLOSION OR ARC FLASH**

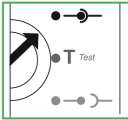
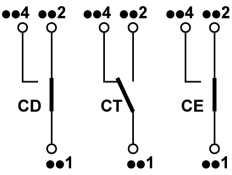
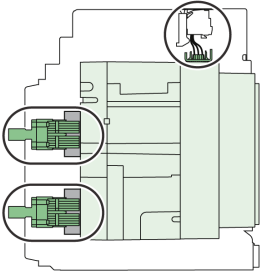
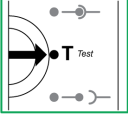
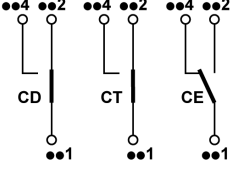
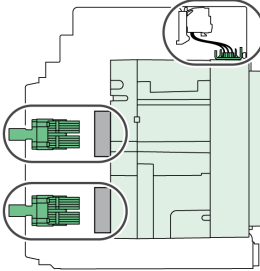
- Apply appropriate personal protective equipment (PPE) and follow safe electrical work practices. See NFPA 70E or CSA Z462 or local equivalent.
- This equipment must only be installed and serviced by qualified electrical personnel.

**Failure to follow these instructions will result in death or serious injury.**

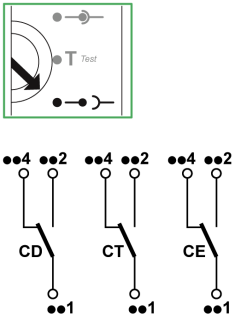
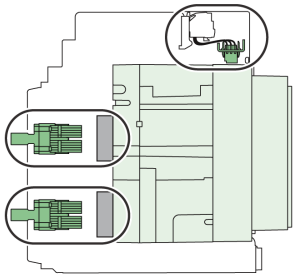
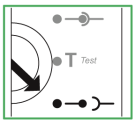
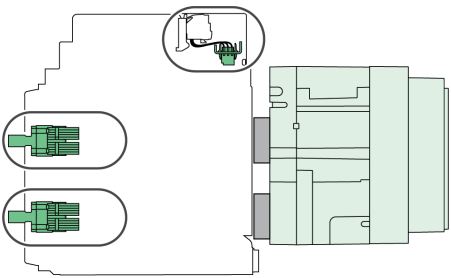
## Drawout Device Positions

The indicator located on the front of the chassis locally signals the position of the device in the chassis.



Device position	Position indicator and position contact state	Connector position	Device status
Connected	 	 <ul style="list-style-type: none"> <li>• Disconnecting contact clusters: engaged</li> <li>• Control: engaged</li> </ul>	<ul style="list-style-type: none"> <li>• Can be operated.</li> <li>• Ready for service.</li> </ul>
Test	 	 <ul style="list-style-type: none"> <li>• Disconnecting contact clusters: disengaged - the minimum distance between the device racking terminals and the chassis clusters is reached.</li> <li>• Control: engaged</li> </ul>	<ul style="list-style-type: none"> <li>• Can be operated.</li> <li>• Can have operation and control systems tested.</li> </ul>

Drawout Device Racking Actions

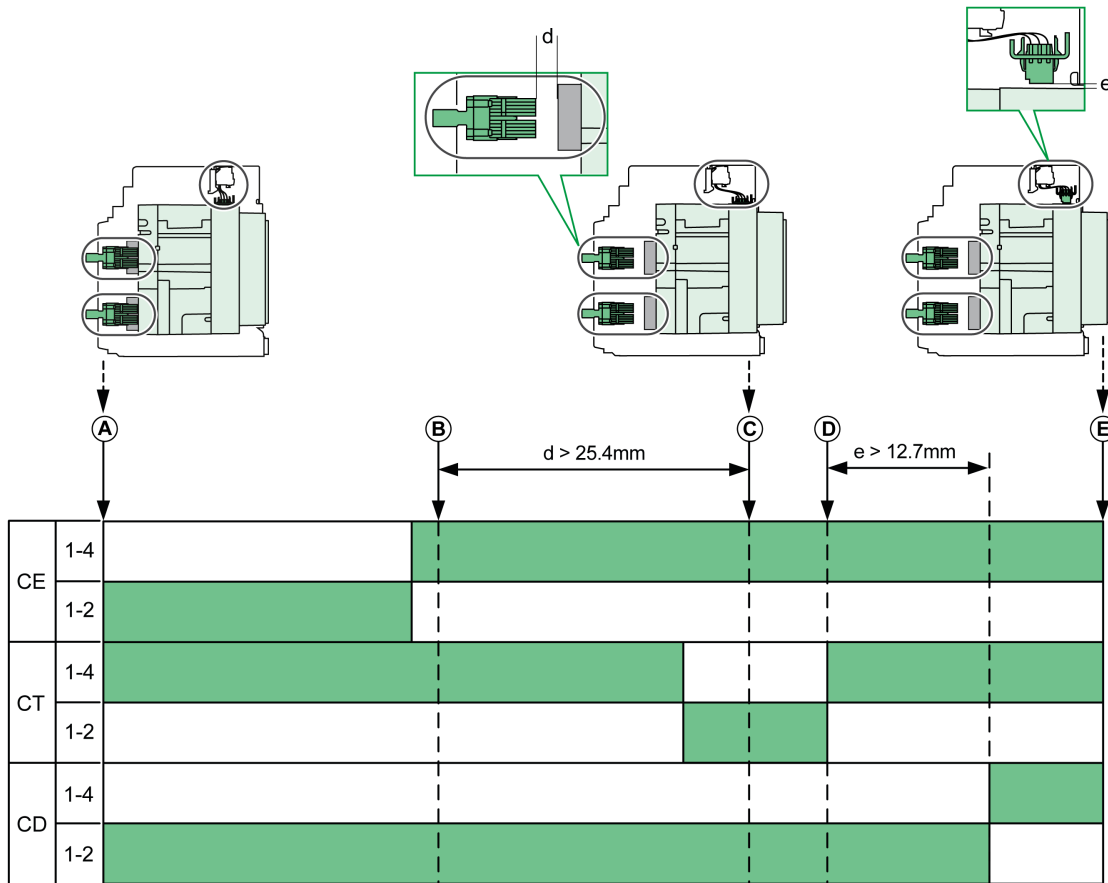
Device position	Position indicator and position contact state	Connector position	Device status
Disconnected		 <ul style="list-style-type: none"> <li>• Disconnecting contact clusters: disengaged</li> <li>• Control: disengaged</li> </ul>	<ul style="list-style-type: none"> <li>• Can be operated.</li> <li>• Can be removed from chassis.</li> </ul>
Withdrawn		 <ul style="list-style-type: none"> <li>• Disconnecting contact clusters: disengaged</li> <li>• Control: disengaged</li> </ul>	<p>Removed from chassis.</p>

## Drawout Device Position Contacts

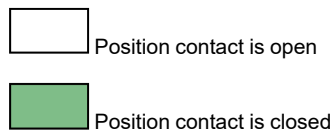
The position of the device in the chassis is indicated remotely by the following position contacts:

- CE: connected position.
- CT: test position.
- CD: disconnected position.

The state of the position contacts changes according to the device position during racking-in and racking-out operations, as shown in the diagram below.



- A** Device in connected position
- B** Separation of the main circuits
- C** Device in test position
- D** Separation of auxiliary circuits
- E** Device in disconnected position



## Drawout Device Position Contacts Without EIFE Ethernet Interface

Without EIFE Ethernet interface, the standard configuration of the position contacts is the following:

- 3 CD disconnected position contacts
- 3 CE connected position contacts
- 3 CT test position contacts

The following optional configurations are available:

- 6 CE + 3 CT
- 3 CD + 6 CE
- 6 CD + 3 CE
- 9 CE

## Drawout Device Position Contacts With EIFE Ethernet Interface

With EIFE Ethernet interface, the standard configuration of the position contacts is the following:

- 3 CD disconnected position contacts
- 3 CE connected position contacts

The following optional configurations are available:

- 3 CE + 3 CT
- 3 CD + 3 CT
- 6 CE

## Chassis Management Function

The chassis management function is used to:

- Record and check the position of the moving part of the drawout device in the chassis
- Provide information about preventive maintenance actions
- Notify the remote controller about the position of the drawout device

The chassis management function is performed by:

- The EIFE Ethernet interface, refer to DOCA0106•• *Enerlin'X EIFE – Embedded Ethernet Interface for One MasterPacT MTZ Drawout Circuit Breaker – User Guide*, page 8.
- The IO module, refer to DOCA0055•• *Enerlin'X IO – Input/Output Application Module for One IEC Circuit Breaker – User Guide*, page 8.

# Disconnecting the Drawout Device

## Drawout Device Handling Conditions

Connection or disconnection of the drawout device requires insertion of the racking handle. When chassis locking by keylocks, padlocks, or an open door lock are in place, the racking handle cannot be inserted.

### **DANGER**

#### **HAZARD OF ELECTRIC SHOCK, EXPLOSION OR ARC FLASH**

- Apply appropriate personal protective equipment (PPE) and follow safe electrical work practices. See NFPA 70E or CSA Z462 or local equivalent.
- This equipment must only be installed and serviced by qualified electrical personnel.

**Failure to follow these instructions will result in death or serious injury.**

### **NOTICE**

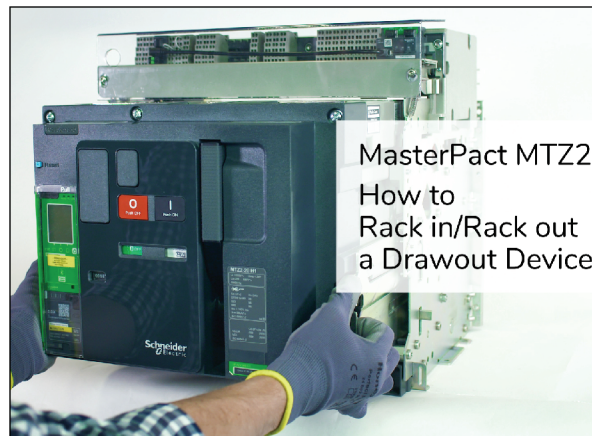
#### **HAZARD OF EQUIPMENT DAMAGE**

- Use the provided racking handle to rack the device into or out of chassis.
- Do not use power tools for racking.
- Do not turn the handle after position release button has popped out.

**Failure to follow these instructions can result in equipment damage.**

## Racking-out a Drawout Device Demonstration Video

To access a demonstration video about racking-out a drawout device, you can [click here](#), scan the QR code, or copy and paste the link to your Web browser:



The video also includes demonstration of:

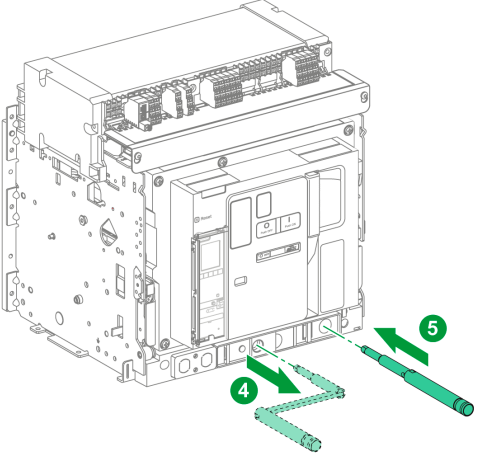
- Racking-in a drawout device
- Removing a drawout from the chassis
- Installing a drawout in the chassis

## Racking-out the Device from Connected to Test Position

Step	Action	
1	Press the opening pushbutton to open the device.	
2	Remove the racking handle from its storage space.	
3	Insert the racking handle into the racking handle socket. <b>NOTE:</b> If the IBPO racking interlock option is installed, press the opening pushbutton to allow insertion of the racking handle, page 122.	
4	Push in the position release button.	
5	Turn the racking handle counterclockwise. <b>Result:</b> The device moves forward in the chassis.	
6	When the test position is reached, the position release button pops out and the mechanism blocks the racking handle. <b>Result:</b> The device is in the test position.	

## Racking-out the Device from Test to Disconnected Position

Step	Action	
1	Push in the position release button.	
2	Turn the racking handle counterclockwise. <b>Result:</b> The device moves forward in the chassis.	
3	When the disconnected position is reached, the position release button pops out and the mechanism blocks the racking handle. <b>Result:</b> The device is in the disconnected position.	

Step	Action	
4	Remove the racking handle from the racking socket.	 A technical line drawing of a circuit breaker unit mounted in a rack. The unit is shown from a three-quarter perspective. Two green arrows with circular callouts indicate the removal of racking handles. Arrow 4 points to a handle being pulled out of its socket. Arrow 5 points to a handle being inserted into a storage slot on the bottom of the unit. The handles are shown in a disassembled state below the unit.
5	Put the racking handle back into its storage space.	



## Connecting the Drawout Device

### Drawout Device Handling Conditions

Connection or disconnection of the drawout device requires insertion of the racking handle. When chassis locking by keylocks, padlocks, or an open door lock are in place, the racking handle cannot be inserted.

#### **⚠️⚠️ DANGER**

##### **HAZARD OF ELECTRIC SHOCK, EXPLOSION OR ARC FLASH**

- Apply appropriate personal protective equipment (PPE) and follow safe electrical work practices. See NFPA 70E or CSA Z462 or local equivalent.
- This equipment must only be installed and serviced by qualified electrical personnel.

**Failure to follow these instructions will result in death or serious injury.**

#### **NOTICE**

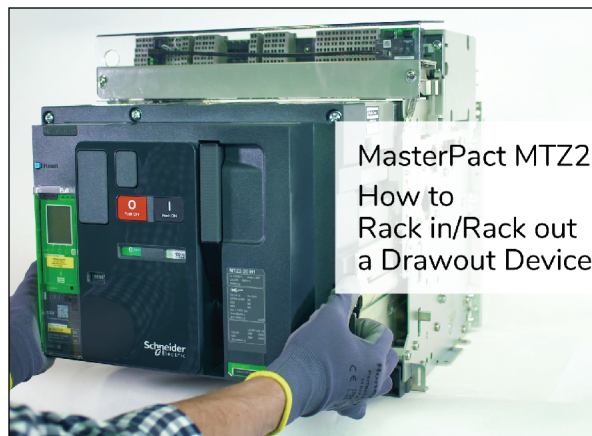
##### **HAZARD OF EQUIPMENT DAMAGE**

- Use the provided racking handle to rack the device into or out of chassis.
- Do not use power tools for racking.
- Do not turn the handle after position release button has popped out.

**Failure to follow these instructions can result in equipment damage.**

### Racking-in a Drawout Device Demonstration Video

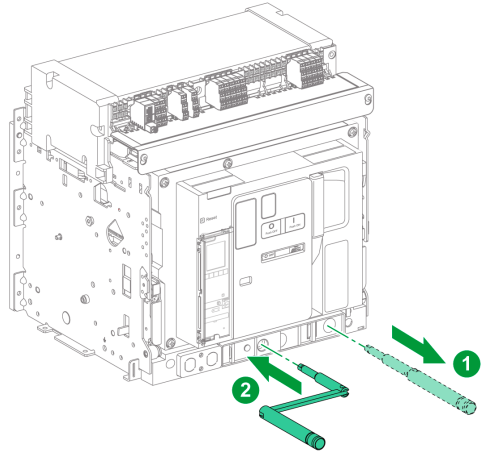
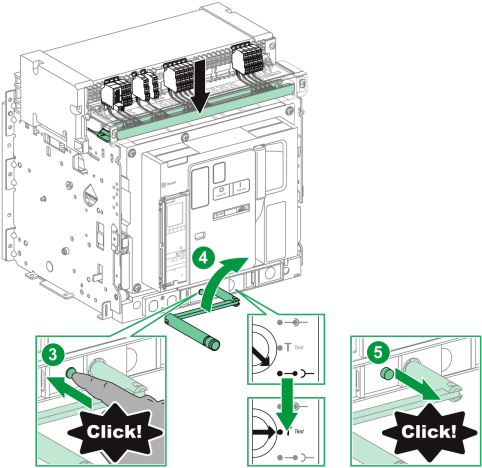
To access a demonstration video about racking-in a drawout device, you can click here, scan the QR code, or copy and paste the link to your Web browser:



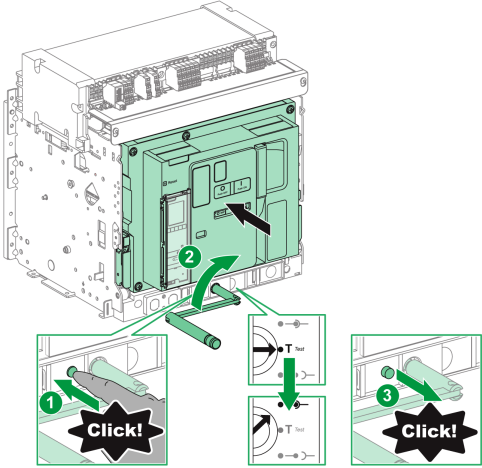
The video also includes demonstration of:

- Racking-out a drawout device
- Removing a drawout device from the chassis
- Installing a drawout device in the chassis

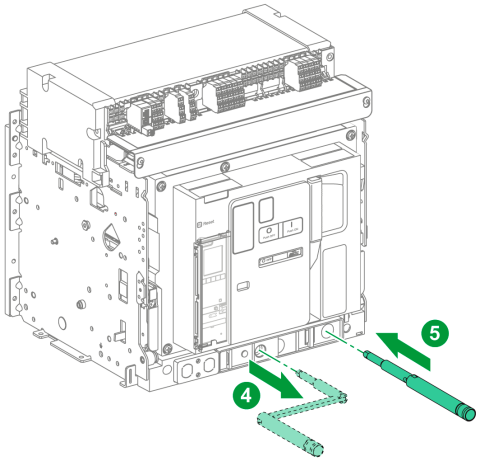
## Racking-in the Device from Disconnected to Test Position

Step	Action	
1	Remove the racking handle from its storage space.	
2	Insert the racking handle into the racking handle socket. <b>NOTE:</b> If the IBPO racking interlock option is installed, press the opening pushbutton to allow insertion of the racking handle, page 122.	
3	Push the position release button.	
4	Turn the racking handle clockwise. <b>Result:</b> The device moves back in the chassis.	
5	When the test position is reached, the position release button pops out and the mechanism blocks the racking handle. <b>Result:</b> The device is in the test position.	

## Racking-in the Device from Test to Connected Position

Step	Action	
1	Push the position release button.	
2	Turn the racking handle clockwise. <b>Result:</b> The device moves back in the chassis.	
3	When the connected position is reached, the position release button pops out and the mechanism blocks the racking handle. <b>Result:</b> The device is in the connected position.	

Drawout Device Racking Actions

Step	Action	
4	Remove the racking handle from the racking socket.	
5	Put the racking handle back into its storage space.	

# Removing the Drawout Device

## Removing a Drawout Device Demonstration Video

To access a demonstration video about removing a drawout device, you can click here, scan the QR code, or copy and paste the link to your Web browser:



The video also includes demonstration of:

- Racking-out a drawout device
- Racking-in a drawout device
- Installing a drawout device in the chassis

## Device Removal

### NOTICE

#### HAZARD OF EQUIPMENT DAMAGE

The chassis must be securely fastened when installing or removing the device.

**Failure to follow these instructions can result in equipment damage.**

Step	Action	
1	<p>With the device in the disconnected position, page 97, discharge the closing spring by pressing the closing pushbutton.</p> <p>If the closing spring is charged, the device closes.</p> <p><b>NOTE:</b> For drawout devices fitted with the optional DAE automatic spring-discharge interlock, page 122, the closing spring is discharged when the device is moved from disconnected to withdrawn position.</p>	
2	<p>Press the opening pushbutton to open the device.</p>	

Step	Action	
3	Press and hold the rail release tabs towards the back.	
4	Pull out the rails to the maximum by pulling on the drawout grips.  <b>Result:</b> The device is supported on the rails, clear of the chassis and ready to be lifted.	

## Lifting the Device

Both the device and chassis have a carrying grip for lifting. To lift the device, use an overhead lifting device attached to the carrying grip, following the directions given in this section.

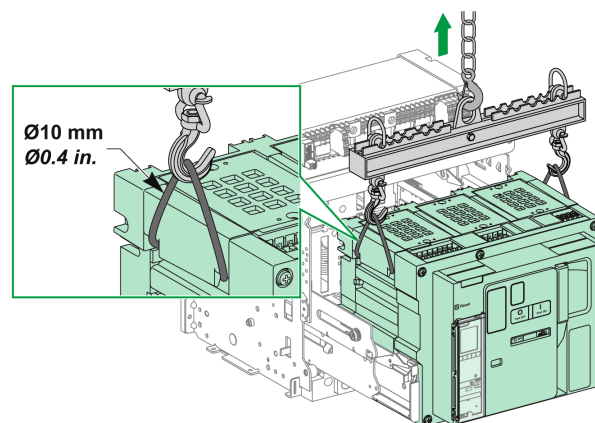
### **⚠ DANGER**

#### **HAZARD OF DEVICE FALLING**

- Be sure that lifting equipment has lifting capacity for the device being lifted.
- Follow manufacturer's instructions for use of lifting equipment.
- Wear hard hat, safety shoes, and heavy gloves.

**Failure to follow these instructions will result in death or serious injury.**

Lift the device from the chassis rails by using the carrying grip located on the sides of the device.



## Device Weights

The following table shows the weights of the different devices available.

Number of poles	Device	MTZ2	MTZ3
3P	Moving part (Drawout)	50 kg	120 kg
	Chassis	40 kg	105 kg
	Fixed Device	50 kg	120 kg
4P	Moving part (Drawout)	65 kg	160 kg
	Chassis	55 kg	140 kg

---

Number of poles	Device	MTZ2	MTZ3
	Fixed Device	65 kg	160 kg

## Installing the Drawout Device in the Chassis

### Drawout Device Handling Conditions

Connection or disconnection of the drawout device requires insertion of the racking handle. When chassis locking by keylocks, padlocks, or an open door lock is in place, the racking handle cannot be inserted.

#### **⚠️⚠️ DANGER**

##### **HAZARD OF ELECTRIC SHOCK, EXPLOSION OR ARC FLASH**

- Apply appropriate personal protective equipment (PPE) and follow safe electrical work practices. See NFPA 70E or CSA Z462 or local equivalent.
- This equipment must only be installed and serviced by qualified electrical personnel.

**Failure to follow these instructions will result in death or serious injury.**

#### **NOTICE**

##### **HAZARD OF EQUIPMENT DAMAGE**

- Use the provided racking handle to rack the device into or out of chassis.
- Do not use power tools for racking.
- Do not turn the handle after position release button has popped out.

**Failure to follow these instructions can result in equipment damage.**

### Optional Mismatch Protection

Mismatch protection, page 109 allows the installation of a drawout device only in a chassis with compatible characteristics.

### Installing a Drawout Device Demonstration Video

To access a demonstration video about installing a drawout device, you can click here, scan the QR code, or copy and paste the link to your Web browser:



The video also includes demonstration of:

- Racking-out a drawout device
- Racking-in a drawout device
- Removing a drawout device from the chassis

## Installing the Device

### ⚠ DANGER

#### HAZARD OF DEVICE FALLING

- Be sure that lifting equipment has lifting capacity for the device being lifted.
- Follow manufacturer's instructions for use of lifting equipment.
- Wear hard hat, safety shoes, and heavy gloves.

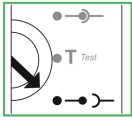
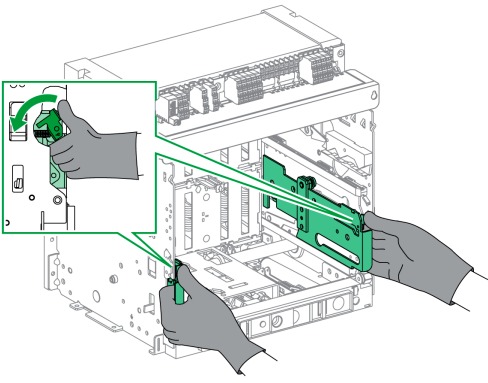
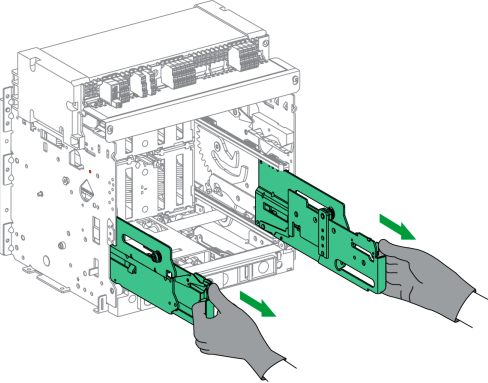
**Failure to follow these instructions will result in death or serious injury.**

### NOTICE

#### HAZARD OF EQUIPMENT DAMAGE

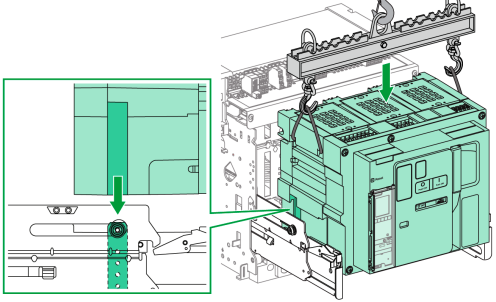
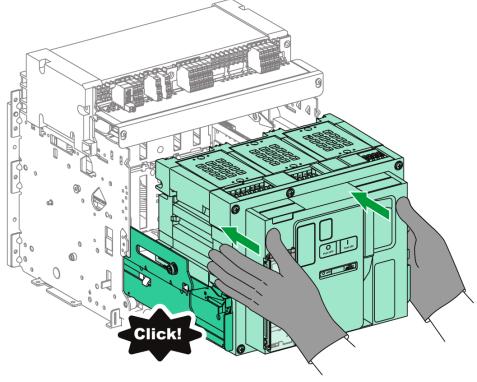
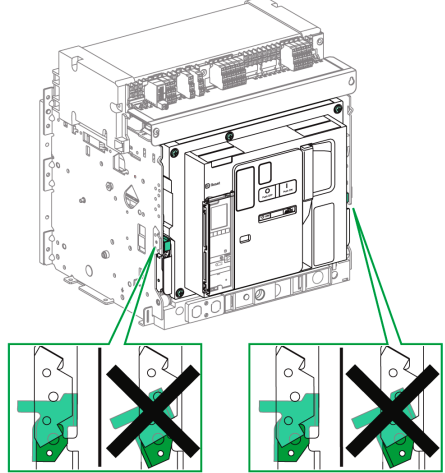
- Chassis must be securely fastened when installing or removing the device.
- Before mounting the device, make sure that it matches the chassis.

**Failure to follow these instructions can result in equipment damage.**

Step	Action
1	If the chassis is not installed yet in a switchboard or panelboard, securely fasten the chassis on a pallet.
2	Remove the racking handle from its storage space.
3	Check that the chassis indicator is in the disconnected position:  If the chassis indicator is not in the disconnected position, follow the steps on disconnecting the drawout device, page 79.
4	Press the rail release tabs. 
5	Pull out the drawout grips until the extension rails are fully extended. <b>NOTE:</b> The right-hand rail cannot be extended if the racking handle has not been removed. 



Drawout Device Racking Actions

Step	Action	
6	Install the device on the extension rails by using appropriate lifting equipment.  Check that the slots on the device are correctly aligned with the guides on the rails while bringing the device down.	
7	Detach the lifting equipment.	
8	Check that the device is in the open position.	
9	Using both hands, push in the device so that the rails are inserted to the maximum in the chassis. Take care not to push the control unit.	
10	Check that the rail release tabs are in the correct position.  <b>Result:</b> The device is in the disconnected position.	

---

# Device Locking Actions

## What's in This Chapter

Locking the Pushbuttons .....	91
Locking the Device in Open Position with Padlocks .....	93
Locking the Device in Open Position with Keylocks .....	95
Chassis Locking in Disconnected Position .....	97
Chassis Locking in Any Position .....	101
Locking the Safety Shutters .....	104

## About Locking Actions

A locking action is a manual locking operation made by the user. A number of optional locking accessories are available for the MasterPacT MTZ2/MTZ3 device and chassis. For a complete listing of available locks, refer to LVPED216026EN *MasterPacT MTZ Catalogue*.

## Locking the Pushbuttons

### Description

The pushbutton locking cover is an optional accessory for the MasterPacT MTZ2/MTZ3 device that forbids access to the closing and opening pushbuttons:

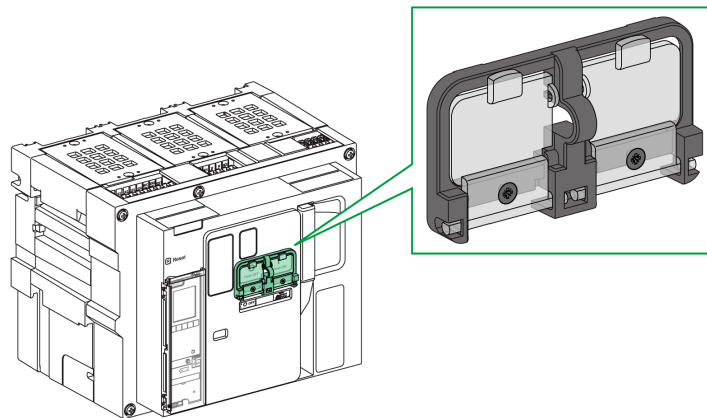
- Together or separately.
- By using a padlock (shackle diameter 5–8 mm).
- By using a lead seal.
- By using screws.

**IMPORTANT:** The use of the pushbutton locking cover is mandatory to padlock the closing pushbutton when a MasterPacT MTZ2/MTZ3 device is used as a transfer switch.

For more information, refer to *Mechanical Interlocking for Transfer Switches*, page 119.

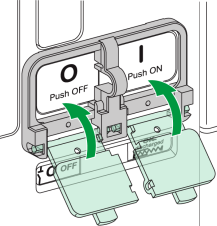
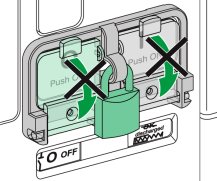
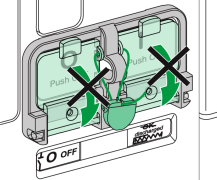
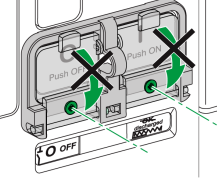
### VBP Pushbutton Locking Accessory

The pushbutton locking accessory is an optional transparent cover, mounted on the front cover of the device, which covers the closing and opening pushbuttons.



For information on the accessory installation, consult the instruction sheet on the Schneider Electric website: [NVE16147](http://NVE16147).

## Locking the Pushbuttons

Step	Action	
1	Close the transparent covers of the locking accessory.  <b>NOTE:</b> One or both transparent covers of the locking accessory can be closed and locked.	
2	Lock the transparent covers in place by using a padlock, lead seal, or screws.	<p data-bbox="970 539 1050 562">Padlock</p>  <p data-bbox="970 801 1066 824">Lead seal</p>  <p data-bbox="970 1048 1043 1070">Screws</p> 

# Locking the Device in Open Position with Padlocks

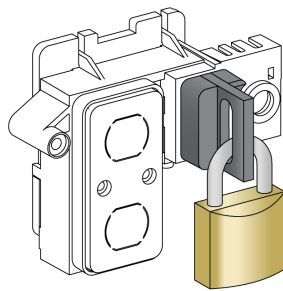
## Description

Optional padlocks can be used to lock the MasterPacT MTZ2/MTZ3 in the open position. When locked the device cannot be closed either locally with the closing pushbutton or remotely.

To use padlocks to lock the device in the open position, an optional OFF-position locking accessory is necessary. This accessory allows the use of up to three padlocks with shackle diameter 5–8 mm.

## VCPO OFF-Position Locking Accessory

The off-position locking accessory is an optional accessory that is mounted on the front face of the device.

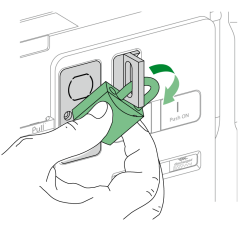
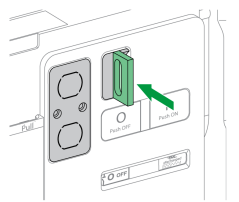
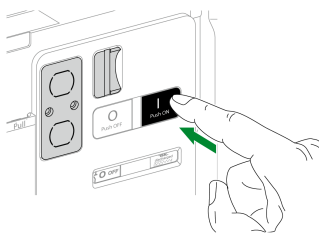


For information on the accessory installation, consult the instruction sheet on the Schneider Electric website: [NVE16146](http://www.se.com).

## Locking the Device in the Open Position

Step	Action	
1	Press and hold down the opening pushbutton.	
2	With the opening button pressed, pull out the tab of the off-position locking accessory.	
3	Insert the padlock in the tab and close the padlock. Release the opening pushbutton.	

## Unlocking the Device

Step	Action	
1	Remove the padlock.	
2	The tab of the OFF-position locking accessory retracts.	
3	Press the closing pushbutton to close the device.	

## Locking the Device in Open Position with Keylocks

### Description

Optional keylocks can be used:

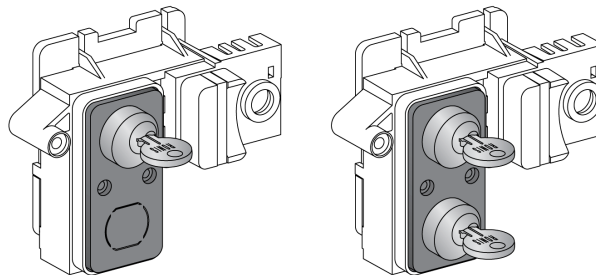
- To lock one MasterPacT MTZ2/MTZ3 in the open position. When locked the device cannot be closed either locally with the closing pushbutton or remotely.
- To interlock several MasterPacT MTZ2/MTZ3 devices locked with the same key.

To use keylocks to lock the device in the open position, an optional OFF-position locking accessory is necessary.

The keylocks can be used in addition to padlocks.

### VSPO OFF-Position Locking Accessory

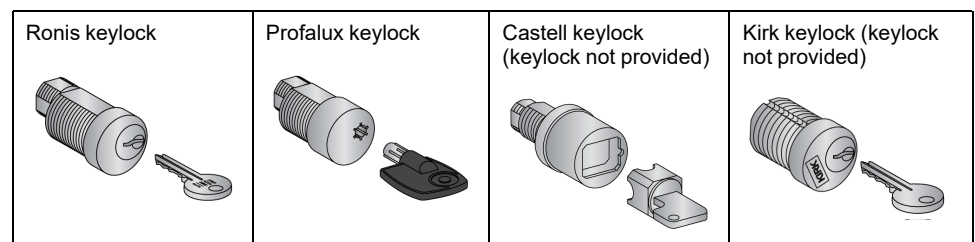
The OFF-position locking accessory is an optional accessory that is mounted on the front of the device.



The OFF-position locking accessory can be fitted with either:

- One keylock.
- Two keylocks with identical keys or different keys.

The following types of keylocks can be fitted:



For information on the accessory installation, consult the instruction sheet on the Schneider Electric website: [NVE16146](http://www.se.com).

### Locking the Device in the Open Position

For devices equipped with two keylocks, locking with one key is sufficient to lock the device in the open position.

Step	Action	
1	Press and hold the opening pushbutton.	
2	With the opening pushbutton pressed, turn the key counterclockwise to lock the device.	
3	Remove the key.	
4	Release the opening pushbutton.	
5	Check that the device is locked in the open position and cannot be closed either locally with the closing pushbutton or remotely.	

## Unlocking the Device

For devices equipped with two keylocks, both keys must be inserted in the keylocks to unlock the device.

Step	Action	
1	Put the key in the keylock.	
2	Turn the key clockwise to unlock the device.	
3	Press the closing pushbutton to close the device. <b>NOTE:</b> The key remains captive in the keylock.	



## Chassis Locking in Disconnected Position

### Description

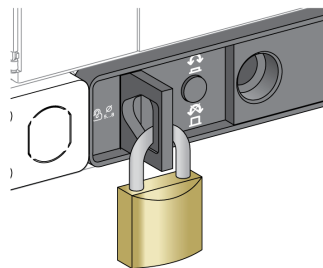
The chassis can be locked in the disconnected position. When the chassis is locked in the disconnected position, the racking handle cannot be inserted.

The chassis can be locked in the disconnected position:

- By up to three padlocks with shackle diameter 5–8 mm.
- By optional keylocks.

Keylocks can be used in addition to padlocks.

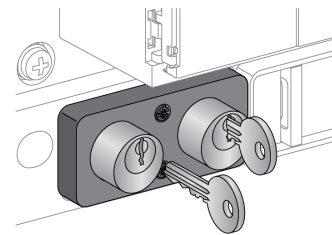
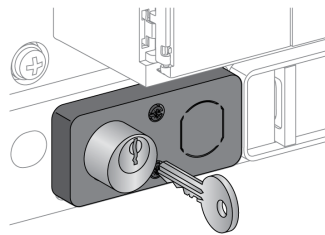
Chassis locking by padlock is always possible and does not require any accessory.



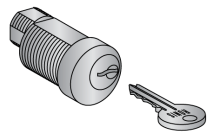
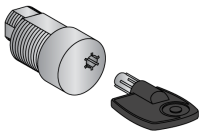
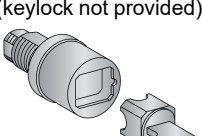
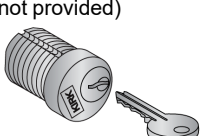
### VSPD Chassis Locking by Keylock Accessory

The chassis locking by keylock accessory can be fitted with either:

- One keylock.
- Two keylocks with identical keys or different keys.

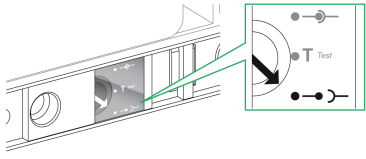
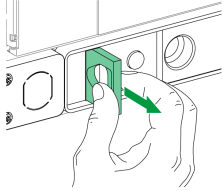
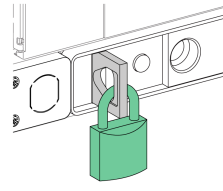
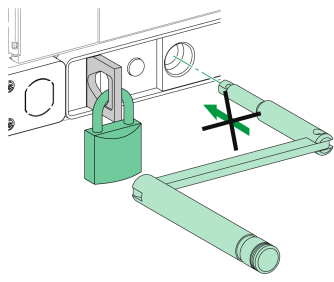


The following types of keylocks can be fitted:

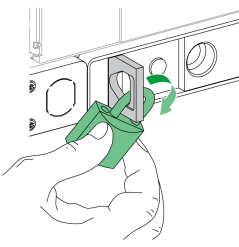
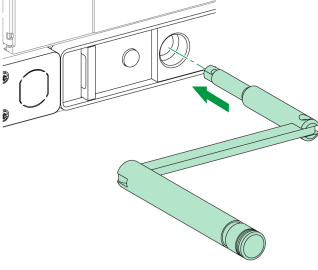
<p>Ronis keylock</p> 	<p>Profalux keylock</p> 	<p>Castell keylock (keylock not provided)</p> 	<p>Kirk keylock (keylock not provided)</p> 
--	---	---	--

For information on the accessory installation, consult the instruction sheet on the Schneider Electric website: [NVE16142](http://NVE16142).

## Chassis Locking with Padlocks

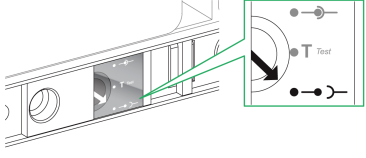
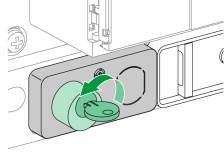
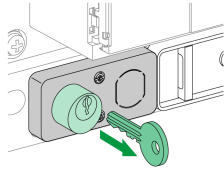
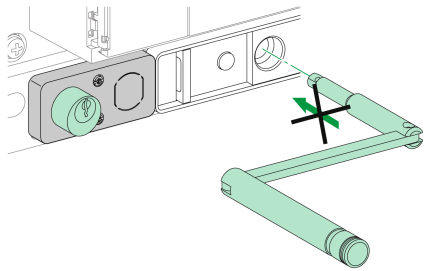
Step	Action	
1	Check that the chassis indicator is in the disconnected position.	
2	Pull out the padlocking tab.	
3	Insert the padlocks in the tab and close the padlocks.	
4	Check that the racking handle cannot be inserted into the racking handle socket.	

## Chassis Unlocking with Padlocks

Step	Action	
1	Remove the padlocks. The tab retracts.	
2	Check that the racking handle can be inserted into the racking handle socket.	

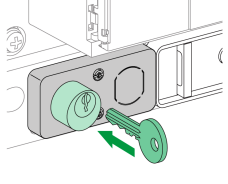
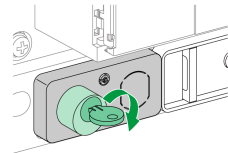
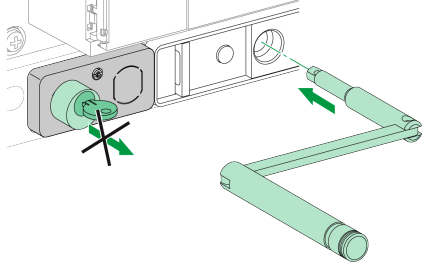
## Chassis Locking with Keylocks

For chassis equipped with two keylocks, locking with one key is sufficient to lock the chassis in the disconnected position.

Step	Action	
1	Check that the chassis indicator is in the disconnected position.	
2	Turn the key counterclockwise to lock the chassis.	
3	Remove the key.	
4	Check that the racking handle cannot be inserted into the racking handle socket.	

## Chassis Unlocking with Keylocks

For chassis equipped with two keylocks, both keys must be inserted in the keylocks to unlock the chassis.

Step	Action	
1	Put the key in the lock.	
2	Turn the key clockwise to unlock the chassis. <b>NOTE:</b> The key remains captive in the keylock.	
3	Check that the racking handle can be inserted into the racking handle socket.	

## Chassis Locking in Any Position

### Description

The chassis can be locked in any position (connected, test, or disconnected position).

This locking function requires a mechanical adaptation of the chassis, explained in the following procedure.

When the chassis is locked, the racking handle cannot be inserted in the racking handle socket.

The chassis can be locked in any position:

- By up to three padlocks with shackle diameter 5–8 mm as standard.
- By one or two optional keylocks.

Keylocks can be used in addition to padlocks.

### VSPD Chassis Locking by Keylock Accessory

The chassis locking by keylock accessory and the locking and unlocking procedures are the same as for chassis locking in disconnected position, page 97.

## Adapting the Chassis

### ⚠ DANGER

#### HAZARD OF DEVICE FALLING

- Be sure that lifting equipment has lifting capacity for the device being lifted.
- Follow manufacturer's instructions for use of lifting equipment.
- Wear hard hat, safety shoes, and heavy gloves.

**Failure to follow these instructions will result in death or serious injury.**

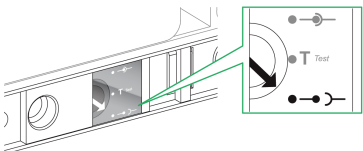
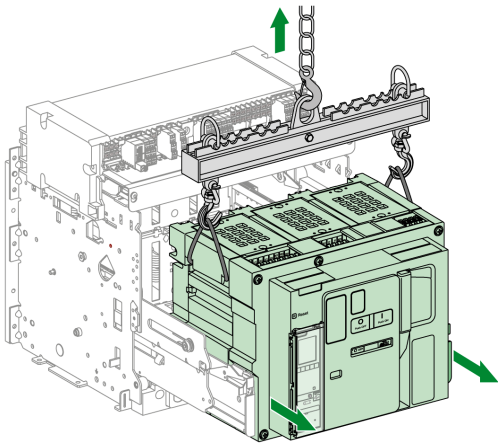
### NOTICE

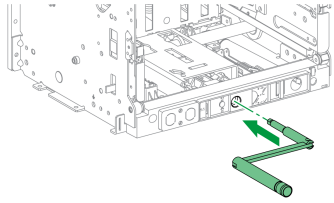
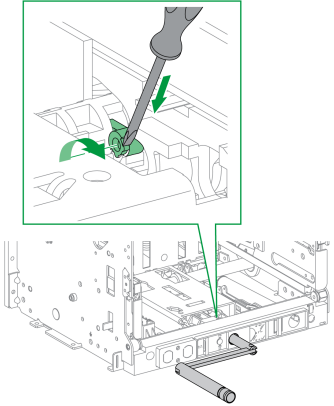
#### HAZARD OF EQUIPMENT DAMAGE

The chassis must be securely fastened when installing or removing the device.

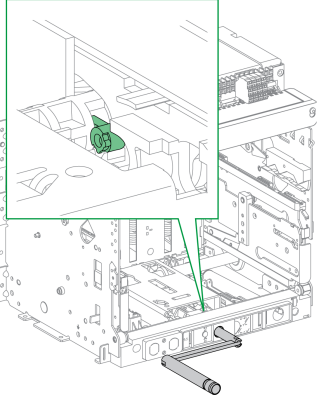
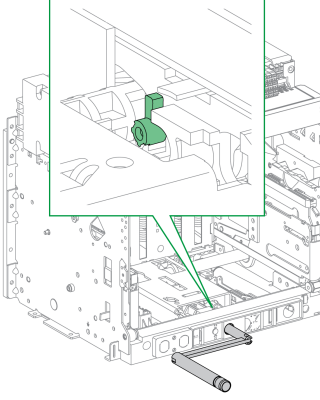
**Failure to follow these instructions can result in equipment damage.**

Follow this procedure to adapt the chassis locking mechanism so that the chassis can be locked in any position.

Step	Action	
1	Make sure that chassis indicator is in the disconnected position.	
2	Remove the device from the chassis, page 84.	

Step	Action	
3	Insert the racking handle into the racking handle socket.	
4	Rotate the latch to the front. The chassis can now be locked in any position.	

**NOTE:** To return the chassis to locking only in the disconnected position, rotate the latch to its original position at the rear.

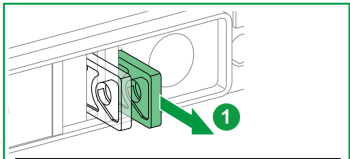
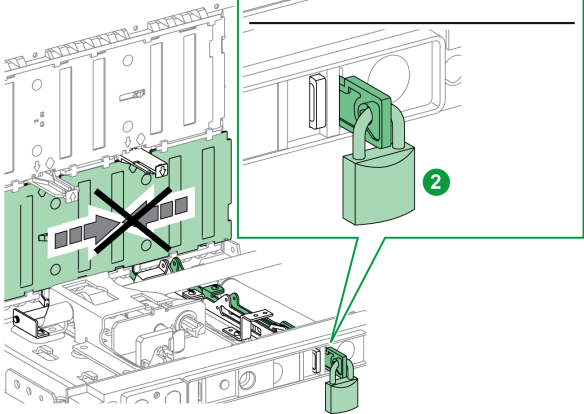
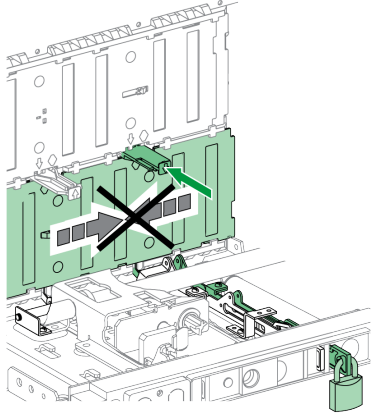
Latch position for locking in disconnected position	Latch position for locking in any position
	



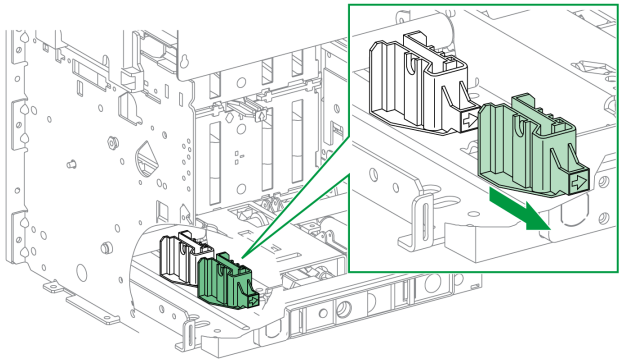
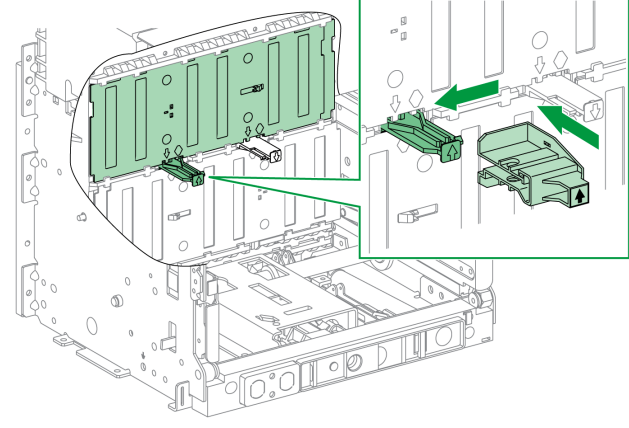
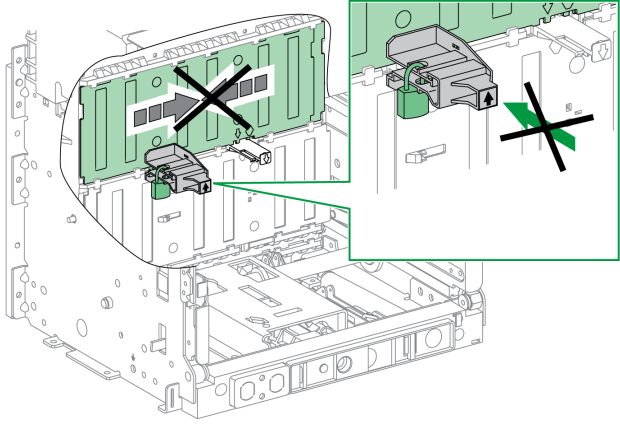


## Locking the MasterPacT MTZ2 Safety Shutters

### Using Shutter Position Indication and Locking Accessory

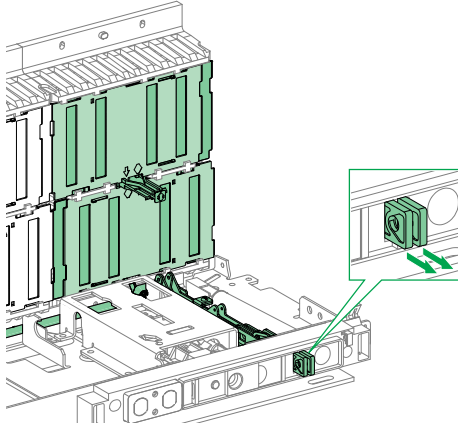
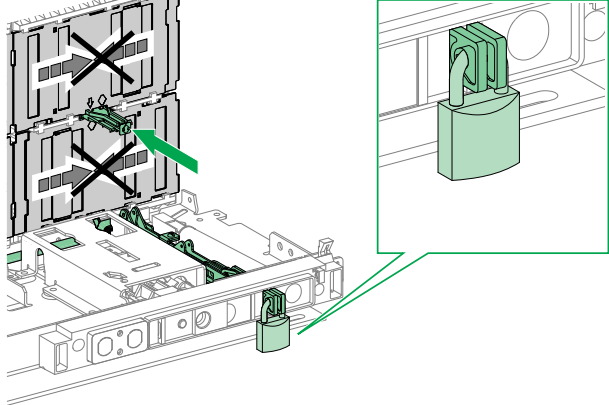
Step	Action	
1	<p>The shutter indicator arms can be locked individually or together:</p> <ul style="list-style-type: none"> <li>• To lock the top safety shutter, pull the left shutter indicator arm tab out of the slot.</li> <li>• To lock the bottom safety shutter, pull the right shutter indicator arm tab out of the slot.</li> </ul>	
2	<p>Insert the padlock in the padlock tab and close the padlock.</p>	
3	<p>Check that the bottom safety shutters do not open when the actuator on the right is pressed.</p>	

## Using Shutter Locking Blocks

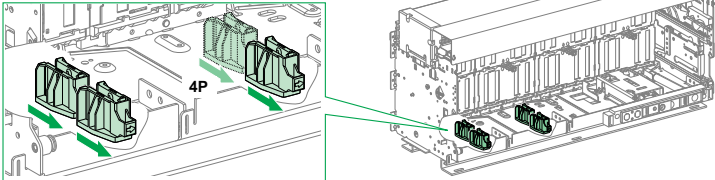
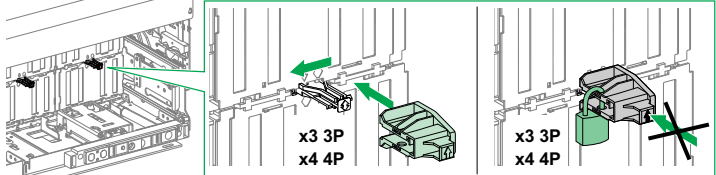
Step	Action	
1	Remove the shutter locking blocks stored in the chassis.	
2	Place the shutter locking blocks in the appropriate guides: <ul style="list-style-type: none"> <li>• To lock the top safety shutter, install a shutter locking block on the shutter mechanism on the left.</li> <li>• To lock the bottom safety shutter, install a shutter locking block on the shutter mechanism on the right.</li> </ul>	
3	Insert a padlock in each shutter locking block tab and close the padlock.	

## Locking the MasterPacT MTZ3 Safety Shutters

### Using Shutter Position Indication and Locking Accessory

Step	Action	
1	Pull the shutter indicator arm tabs out of the slot	
2	Insert the padlock in the padlock tab and close the padlock.	
3	Check that the safety shutters do not open when the actuator is pressed.	

### Using Shutter Locking Blocks

Step	Action	
1	Remove the shutter locking blocks stored in the chassis.	
2	Place a shutter locking block on each of the shutter mechanisms. One shutter mechanism per phase: <ul style="list-style-type: none"> <li>• Three shutter locking blocks to lock the 3P device safety shutters</li> <li>• Four shutter locking blocks to lock the 4P device safety shutters</li> </ul>	
3	Insert a padlock in each shutter locking block tab and close the padlock.	

# Device Interlocking Actions

## What's in This Chapter

Mismatch Protection .....	109
VPEC Door Interlock .....	112
VPOC Open-door Racking Interlock .....	115
IPA Cable-type Door Interlock .....	118
Mechanical Interlocking for Transfer Switches .....	119
DAE Automatic Spring-Discharge Interlock .....	122
IBPO Racking Interlock Between Racking Handle and Opening Pushbutton .....	122

## About Interlocking Actions

An interlocking action is an automatic locking operation provided by interlocking accessories added to the MasterPacT MTZ2/MTZ3 device or chassis.

A number of optional interlocking accessories are available for the MasterPacT MTZ2/MTZ3 device and chassis. For a complete listing of available interlocks, refer to LVPED216026EN *MasterPacT MTZ Catalogue*.

## Mismatch Protection

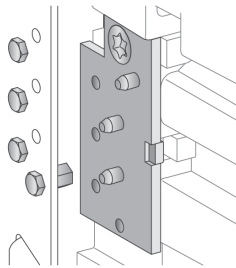
### Description

Mismatch protection allows the installation of a MasterPacT MTZ2/MTZ3 device only in a chassis with compatible characteristics.

Mismatch protection offers 35 different combinations that can be selected so that a device can only be mounted on a chassis with the matching combination.

### Accessory

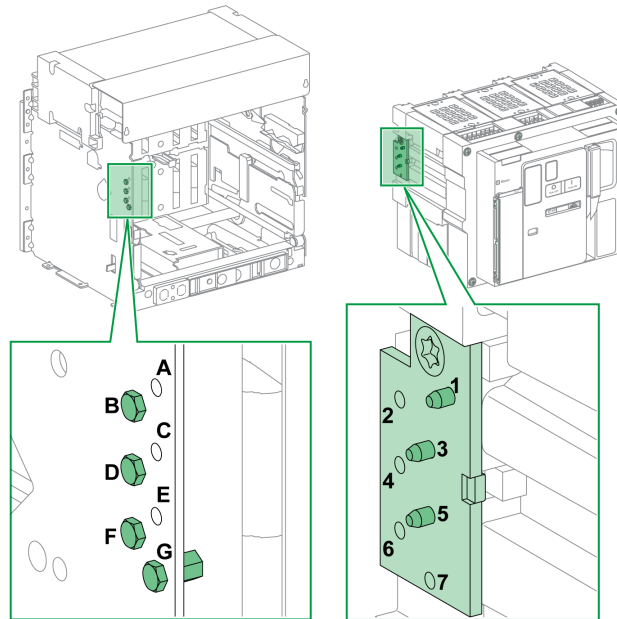
The use of mismatch protection is optional. One mismatch protection accessory is required for each device.



For information on the accessory installation, consult the instruction sheet on the Schneider Electric website: [NVE35465](https://www.schneider-electric.com/asset/Download/0900000108826465/NVE35465).

## Pin Location of Mismatch Protection

The following illustration shows the pin location on the chassis and device, respectively.



The pin combination selected on the chassis must correspond to the pin combination selected on the device (see following table). For example, the combination ABCD on the chassis corresponds to the combination 567 on the device.

Pins on the chassis are labeled A, B, C, D, E, F, G.

Pins on the device are labeled 1, 2, 3, 4, 5, 6, 7.

## Recommended Pin Combinations

The following are the recommended pin combinations:

Pins on chassis	Pins on device	Pins on chassis	Pins on device
ABCD	567	BCDE	167
ABCE	467	BCDF	157
ABCF	457	BCDG	156
ABCG	456	BCEF	147
ABDE	367	BCEG	146
ABDF	357	BCFG	145
ABDG	356	BDEF	137
ABEF	347	BDEG	136
ABEG	346	BDFG	135
ABFG	345	BEFG	134
ACDE	267	CDEF	127
ACDF	257	CDEG	126
ACDG	256	CDFG	125
ACEF	247	CEFG	124
ACEG	246	DEFG	123
ACFG	245		

Device Interlocking Actions

<b>Pins on chassis</b>	<b>Pins on device</b>	<b>Pins on chassis</b>	<b>Pins on device</b>
ADEF	237		
ADEG	236		
ADFG	235		
AEFG	234		

## VPEC Door Interlock

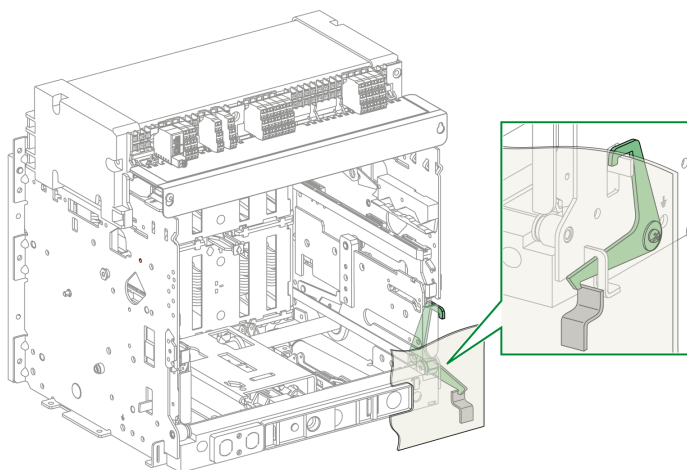
### Description

With the door interlock:

- The equipment door is locked and cannot be opened when the drawout device is in connected or test position.
- The equipment door can be opened when the drawout device is in disconnected position.
- The equipment door can be closed with the drawout device in any position.

### Accessory

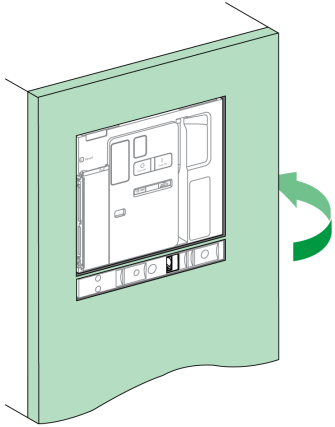
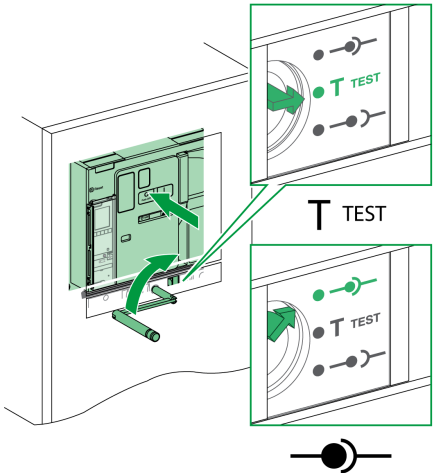
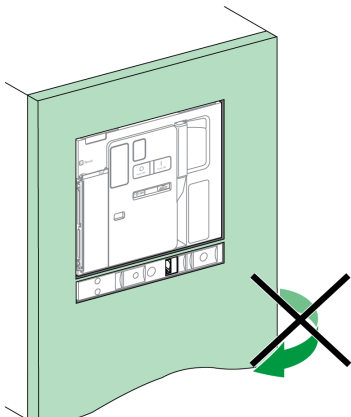
The VPEC door interlock accessory is an optional accessory that is mounted on the left side or on the right side of the chassis. One door interlock is necessary for each chassis.



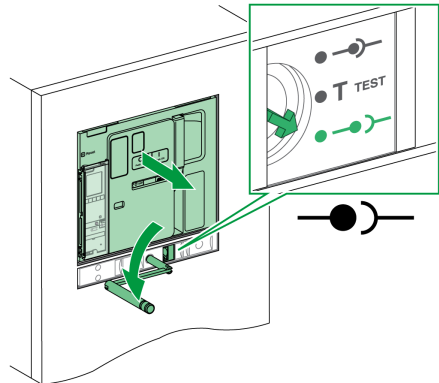
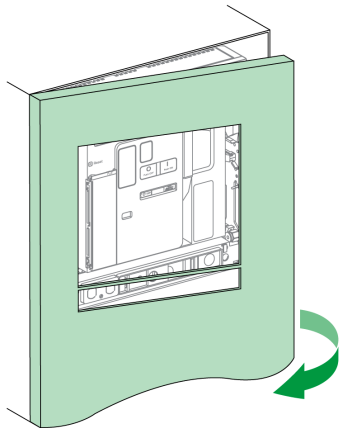
For information on the accessory installation, consult the instruction sheet on the Schneider Electric website: [NVE35493](http://NVE35493).



## Locking the Equipment Door

Step	Action	
1	Close the equipment door.	
2	Put the device into the test or connected position, page 81.	
3	Check that the equipment door is locked.	

## Unlocking the Equipment Door

Step	Action	
1	Put the device into the disconnected position, page 78.	
2	Check that the equipment door is unlocked.	

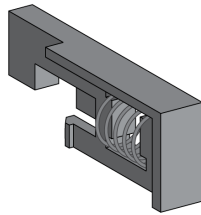
## VPOC Open-door Racking Interlock

### Description

With the racking interlock installed, a drawout MasterPacT MTZ2/MTZ3 device cannot be racked in or out when the equipment door is open because the racking handle cannot be inserted.

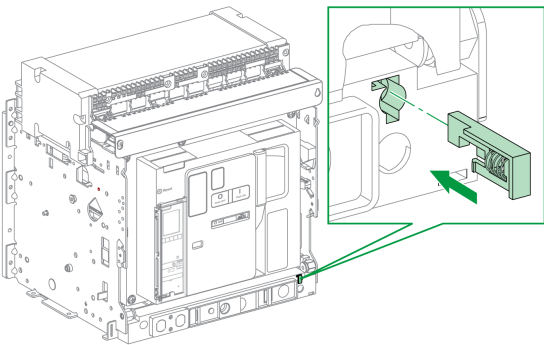
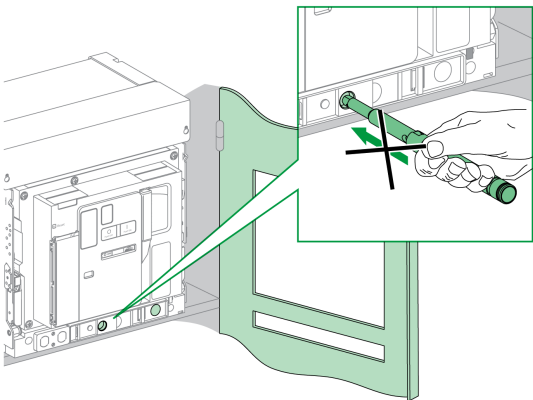
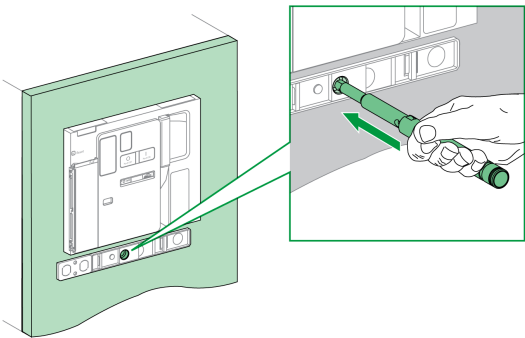
### Accessory

The optional VPOC racking interlock can be installed on the right side of the chassis.

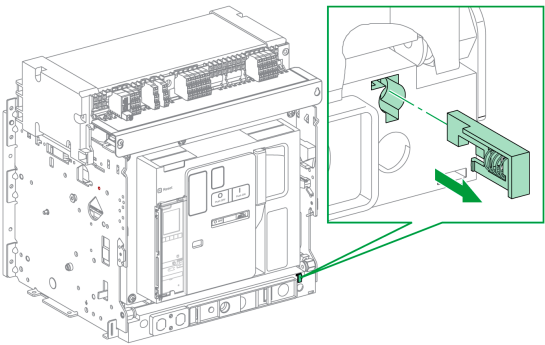
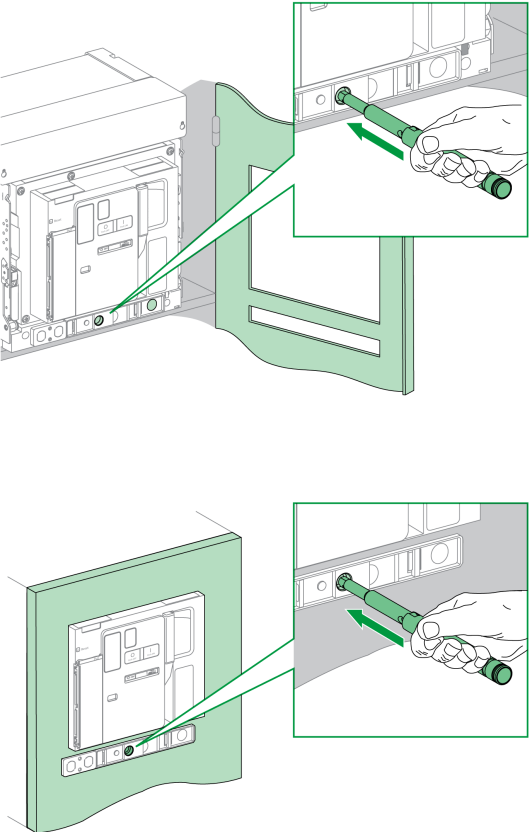


For information on the accessory installation, consult the instruction sheet on the Schneider Electric website: [NVE35494](https://www.schneider-electric.com/resources/interlocking-actions).

## Activating the Racking Interlock

Step	Action	
1	Insert the racking interlock.	 A technical drawing of a switch-disconnector assembly. A green rectangular racking interlock is being inserted into a slot on the right side of the equipment door. A green arrow points from the interlock towards the slot. An inset shows a close-up of the interlock being pushed into the slot.
2	Check that the racking handle cannot be inserted into the racking handle socket when the equipment door is open.	 A technical drawing of the switch-disconnector with the equipment door open. A green racking handle is shown being held by a hand. A green arrow points towards the racking handle socket, but a black 'X' is drawn over the path, indicating that the handle cannot be inserted. An inset shows a close-up of the handle being held near the socket.
3	Check that the racking handle can be inserted into the racking handle socket when the equipment door is closed.	 A technical drawing of the switch-disconnector with the equipment door closed. A green racking handle is shown being inserted into the racking handle socket. A green arrow points from the handle into the socket. An inset shows a close-up of the handle being inserted into the socket.

## Deactivating the Racking Interlock

Step	Action	
1	Pull out the racking interlock.	 A technical drawing of a circuit breaker assembly. A green rectangular racking interlock is shown being pulled out from the bottom of the equipment door. An inset shows a close-up of the interlock being removed from its housing.
2	Check that the racking handle can be inserted into the racking handle socket when the equipment door is open or closed.	 Two diagrams illustrating the racking handle insertion. The top diagram shows the equipment door open, with a hand inserting a green racking handle into a socket on the door. The bottom diagram shows the equipment door closed, with a hand inserting the same green racking handle into a socket on the front panel. Both diagrams include inset close-ups of the handle being inserted into the socket.



# Mechanical Interlocking for Transfer Switches

## Description

The mechanical interlocking for transfer switches between MasterPacT MTZ devices prevents the interlocked devices from closing at the same time. The following interlocking functions are available:

- Interlocking between two devices
- Interlocking between three devices:
  - Three incomers
  - Two incomers and one coupling
  - Two incomers and one replacement

## VBP Pushbutton Locking Accessory

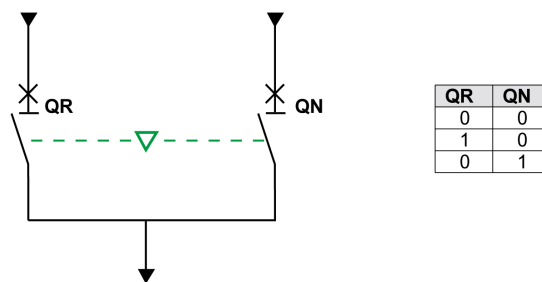
The VBP pushbutton locking accessory provides redundancy in addition to the mechanical interlocking system.

The use of the pushbutton locking cover is mandatory on each interlocked MasterPacT MTZ device. The closing pushbuttons of the interlocked devices must be locked by padlocks sharing one key to help avoid simultaneous closing orders of interlocked devices.

For more information about the pushbutton locking cover, refer to VBP Pushbutton Locking Accessory, page 91

## Mechanical Interlocking Between Two Devices

Two devices can be mechanically interlocked by cables or by rods so that both devices cannot be closed at the same time.



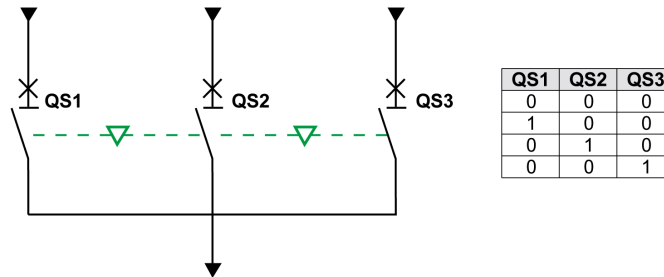
For information on the accessory installation, consult the instruction sheet on the Schneider Electric website:

- For Interlocking by cables: NVE35496
- For Interlocking by rods: NVE35497

## Mechanical Interlocking Between Three Incomers

Mechanical interlocking is between three main devices connected to different power sources.

Only one of the three devices can be in the closed position at a time. The other two devices are held in the locked open position.

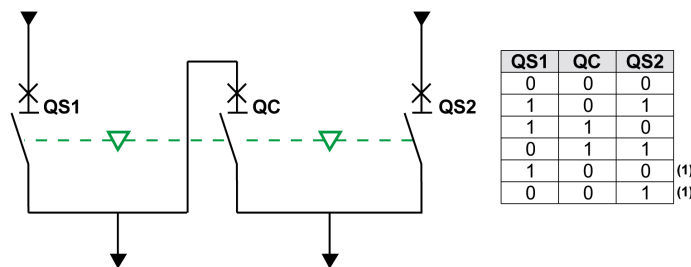


For information on the accessory installation, consult the instruction sheet on the Schneider Electric website: [NVE35498](http://www.schneider-electric.com)

## Mechanical Interlocking Between Two Incomers and One Coupling

Mechanical interlocking is between two main devices connected to different power sources and one tie device.

Two of the three devices can be in the closed position at any time.



(1) Possible by forcing operation

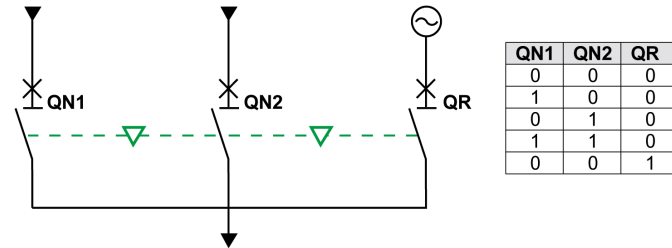
For information on the accessory installation, consult the instruction sheet on the Schneider Electric website: [NVE35500](http://www.schneider-electric.com)



## Mechanical Interlocking Between Two Incomers and One Replacement

Mechanical interlocking is between two main devices connected to the same power source and a third device connected to a generator power source.

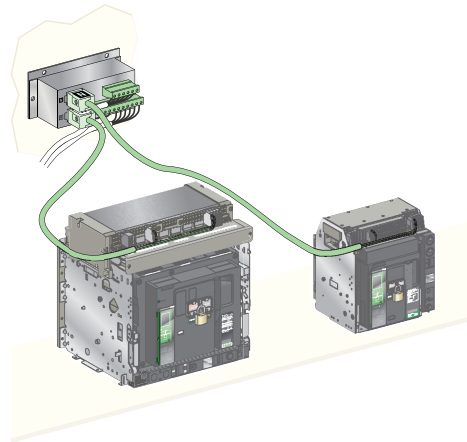
The generator device is locked open when either or both of the main devices are closed.



For information on the accessory installation, consult the instruction sheet on the Schneider Electric website: [NVE35499](http://www.schneider-electric.com/NVE35499)

## IVE Electrical Interlocking Unit

Electrical interlocking between MasterPacT MTZ devices can be done using the IVE electrical interlocking unit or by using dedicated wiring. The IVE unit is suitable for two devices only. For three devices, dedicated wiring is required to perform the electrical interlocking.



For information on the accessory installation, consult the instruction sheet on the Schneider Electric website: [51201201AA](http://www.schneider-electric.com/51201201AA)

## DAE Automatic Spring-Discharge Interlock

### Description

The DAE automatic spring-discharge interlock releases the closing spring energy when a drawout MasterPacT MTZ2/MTZ3 device is moved from the disconnected position to the withdrawn position.

The DAE interlock is an optional interlock mounted inside the device. It is factory-installed. To install it on site, contact your Schneider Electric Services representative.

## IBPO Racking Interlock Between Racking Handle and Opening Pushbutton

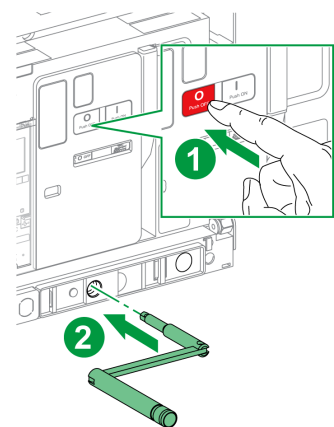
### Description

With the IBPO racking interlock installed a drawout MasterPacT MTZ2/MTZ3 device cannot be disconnected in the closed position.

Insertion of the racking handle for connection or disconnection of the drawout device is only possible when the opening pushbutton is pressed.

The IBPO racking interlock is an optional interlock mounted inside the device. It is factory-installed. To install it on site, contact your Schneider Electric Services representative.

## Inserting the Racking Handle With the IBPO Racking Interlock Installed

Step	Action	
1	Press and hold the opening pushbutton.	
2	Insert the racking handle.	

# MasterPacT MTZ Critical Cases

## What's in This Part

Finding the Cause of a Trip or an Alarm in Critical Cases .....	124
Resetting the Circuit Breaker After a Trip Due to an Electrical Fault .....	129
Resetting the Circuit Breaker After a Trip Due to an Incident Detected by the MicroLogic X Self-tests .....	132
Diagnosing Alarms .....	134
Diagnosing Error Messages .....	142

# Finding the Cause of a Trip or an Alarm in Critical Cases

## Definitions

While operating the device, the user may face two critical cases:

- The circuit breaker has tripped automatically, interrupting the power supply.
- The circuit breaker has not tripped, but the MicroLogic X control unit has detected an alarm:
  - For a high severity alarm, the service LED is red, indicating that urgent corrective action is required.
  - For a medium severity alarm, the service LED is orange, indicating that corrective action needs to be scheduled.

## Notification of a Trip or Alarm

A trip or alarm event is signaled:

- On the MicroLogic X control unit HMI, by the trip cause LEDs or the service LED. When the control unit is powered, a red or orange pop-up message is displayed on the screen.
- By the SDE fault-trip indication contact

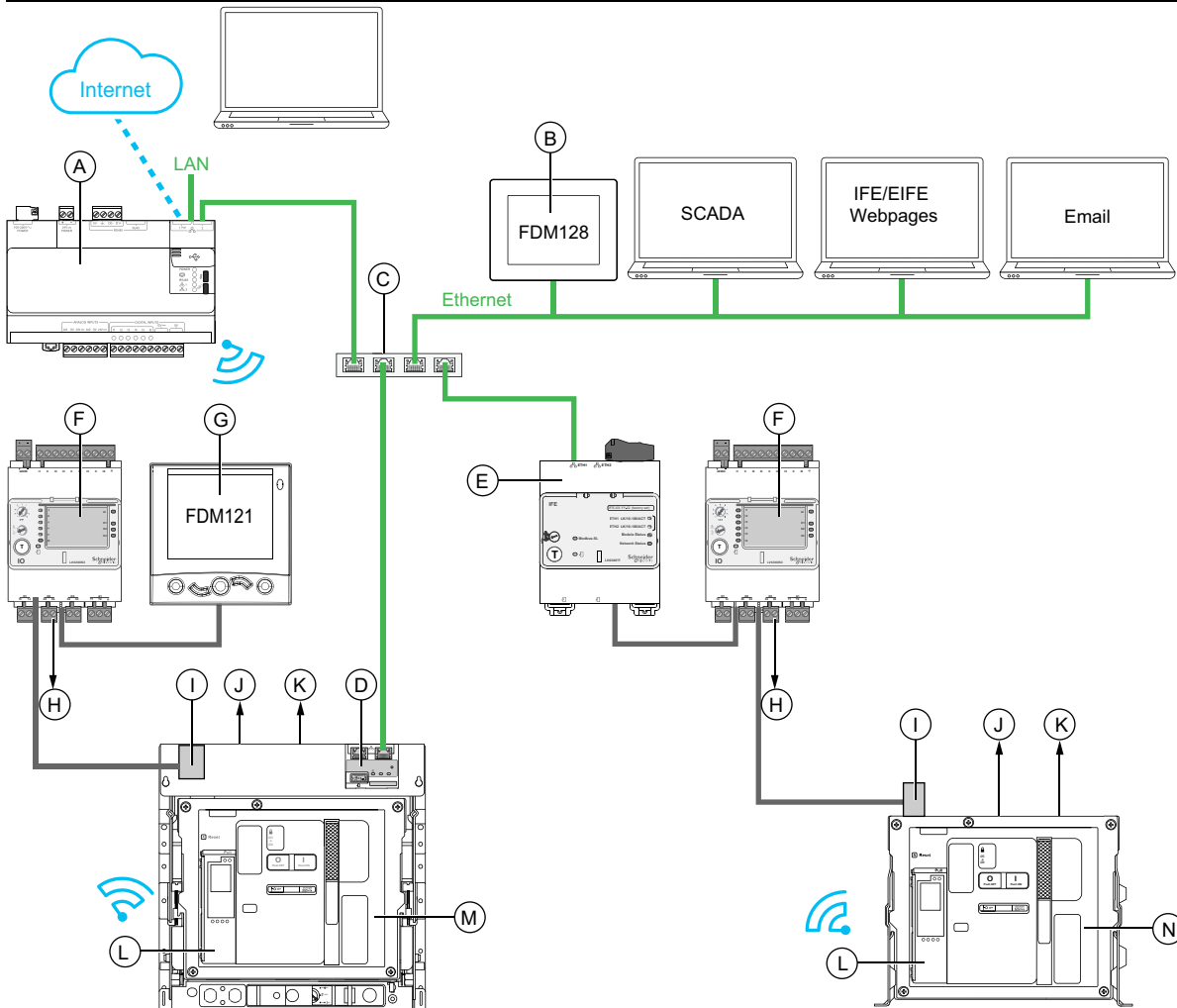
Depending on the options installed, a trip or alarm can also be signaled:

- By an additional SDE2 fault-trip indication contact
- By the outputs of the M2C programmable contacts
- By the outputs of an IO application module
- By an email sent through IFE or EIFE Ethernet interface
- On a remote controller connected to the communication network (application customized by user)
- On the FDM128 display
- On the FDM121 display

Active alarms can also be consulted in the following ways:

- On a smartphone with EcoStruxure Power Device app connected to the MicroLogic X control unit:
  - Through Bluetooth
  - Through USB OTG connection
- On EcoStruxure Power Commission software connected to the MicroLogic X control unit:
  - Through USB connection
  - Through IFE or EIFE Ethernet interface
  - Through IFM Modbus-SL interface

Finding the Cause of a Trip or an Alarm in Critical Cases

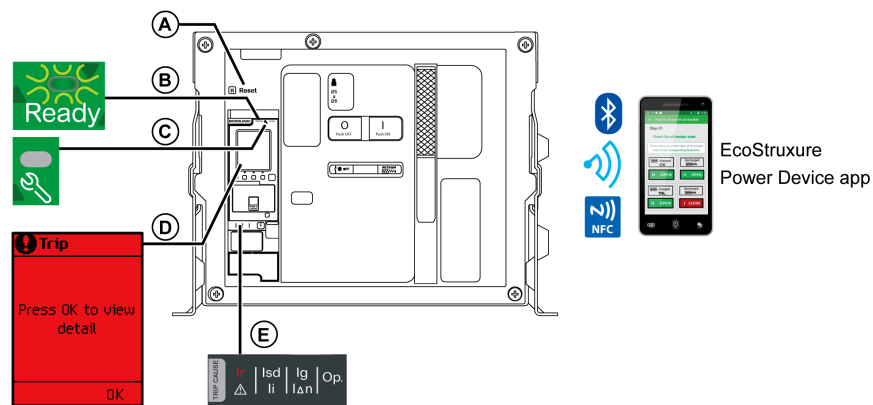


- A** Com'X energy server
- B** FDM128 Ethernet display for eight devices
- C** Ethernet switch
- D** EIFE embedded Ethernet interface for one MasterPacT MTZ drawout circuit breaker
- E** IFE Ethernet interface for one MasterPacT MTZ circuit breaker
- F** IO input/output application module for one circuit breaker
- G** FDM121 front display module for one circuit breaker
- H** IO module outputs used for event notification
- I** ULP port module
- J** One or two SDE fault-trip indication contacts
- K** Two optional M2C programmable contacts
- L** MicroLogic X control unit
- M** Drawout MasterPacT MTZ circuit breaker
- N** Fixed MasterPacT MTZ circuit breaker

## Identifying the Cause of a Trip or Alarm Using the MicroLogic X Control Unit

In critical situations, the cause of a trip or an alarm can be identified locally by using one of the following:

- The blue fault-trip reset button on the circuit breaker (**A**). When the trip button is popped out, the trip has occurred.
- The indicators on the MicroLogic X control unit, page 127:
  - The **Ready** LED (**B**)
  - The service LED (**C**)
  - The MicroLogic X display screen (**D**)
  - The trip cause LEDs (**E**)
- A smartphone with EcoStruxure Power Device app installed to get the trip cause, the trip or alarm context, and the device ID:
  - Through NFC
  - Through Bluetooth
  - Through USB OTG connection



**A** Blue fault-trip reset button

**B** Ready LED

**C** Service LED

**D** MicroLogic X display screen

**E** Trip cause LEDs

**NOTE:** The optional Power Restoration Assistant Digital Module provides assistance with restoring power after a trip. For more information, refer to DOCA0102•• *MasterPacT MTZ – MicroLogic X Control Unit – User Guide*, page 8.

## Availability of Diagnostic Data After a Trip

The diagnostic data is available when the MicroLogic X control unit is powered.

If the MicroLogic X control unit is not permanently powered by an external 24 Vdc power source, connect the MicroLogic X control unit to an external power supply, for example, the Mobile Power Pack, through the mini USB port to have access to the diagnostic data.




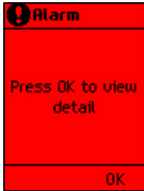

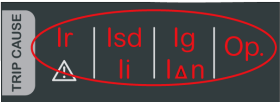




When the MicroLogic X control unit is powered externally, the availability of diagnostic data depends on the MicroLogic X state:

- If the MicroLogic X control unit is operative, all diagnostic data is available.



## Using the Display Screen and LEDs to Find the Cause of an Alarm

The circuit breaker has not tripped, but the MicroLogic X control unit service LED is on.

Ready LED	Service LED	MicroLogic X display screen	Trip cause LEDs	Description
<p>Ready LED flashing green or Ready LED off.</p>  	<p>Service LED on red.</p> 		<p>All LEDs are off or all LEDs are on.</p>  	<p>High severity alarm, page 135</p>
<p>Ready LED flashing green.</p> 	<p>Service LED on orange.</p> 		<p>All LEDs are off.</p> 	<p>Medium severity alarm, page 136</p>



# Resetting the Circuit Breaker After a Trip Due to an Electrical Fault

## Reset Sequence

**⚠️⚠️ DANGER**

**HAZARD OF ELECTRIC SHOCK, EXPLOSION, OR ARC FLASH**

Do not re-close the device on an electrical fault. First inspect and, if necessary, repair the downstream equipment.






**Failure to follow these instructions will result in death or serious injury.**



The table shows the sequence of actions to follow after a trip due to an electrical fault. Further explanation of each action is given in the following paragraphs.

Step	Action
1	Identify the trip cause.
2	Press <b>OK</b> to view details of the trip cause on the display screen.
3	Consult the two trip cause context screens: <ul style="list-style-type: none"> <li>• Screen 1: Name and settings of the tripping protection, date and time of the trip.</li> <li>• Screen 2: Current values recorded before the trip.</li> </ul>
4	Clear the electrical fault on the network.
5	Inspect the circuit breaker and switchboard after a short circuit.
6	Press <b>OK</b> to acknowledge the trip cause and return to the <b>Home</b> menu. <b>NOTE:</b> If the trip cause is not acknowledged within the event timeout, the pop-up is displayed again.
7	Reset the circuit breaker, page 60.
8	Press the <b>Test/Reset</b> button for 3 seconds to reset the latched events and switch off the trip cause LEDs.
9	When the circuit breaker is ready-to-close, re-close it, page 57.

**NOTE:** You may use the EcoStruxure Power Device app with the Power Restoration Assistant Digital Module to get support while resetting after a trip due to an electrical fault.


## Identifying the Trip Cause

Ready LED	Service LED	MicroLogic X display screen	Trip cause LEDs	Description
Ready LED flashing green. 	Service LED off. 		 	<ul style="list-style-type: none"> <li>• MicroLogic 2.0 X, 5.0 X, 6.0 X, 7.0 X: trip due to the long-time protection.</li> <li>• MicroLogic 2.0 X: trip due to the instantaneous protection.</li> <li>• MicroLogic 5.0 X, 6.0 X, 7.0 X: trip due to the short-time protection or instantaneous protection.</li> </ul>

Ready LED	Service LED	MicroLogic X display screen	Trip cause LEDs	Description
				<ul style="list-style-type: none"> <li>• MicroLogic 2.0 X, 5.0 X: not used.</li> <li>• MicroLogic 6.0 X: trip due to the ground-fault protection.</li> <li>• MicroLogic 7.0 X: trip due to the earth-leakage protection.</li> </ul>
				<ul style="list-style-type: none"> <li>• MicroLogic 2.0 X, 5.0 X, 6.0 X, 7.0 X: trip due to optional protections.</li> </ul>

**NOTE:** Diagnostic assistance can be obtained by using a smartphone running the EcoStruxure Power Device app.


## Clearing the Electrical Fault

 **DANGER**

**HAZARD OF ELECTRIC SHOCK, EXPLOSION, OR ARC FLASH**

- Apply appropriate personal protective equipment (PPE) and follow safe electrical work practices. See NFPA 70E or CSA Z462 or local equivalent.
- This equipment must be installed and serviced by qualified electrical personnel.
- Turn off all power supplying this equipment before performing maintenance inspections. Assume that all circuits are live until they are de-energized, tested, grounded, and tagged. Consider all sources of power, including the possibility of backfeeding and control power.
- Always use a properly rated voltage sensing device to confirm that power is off.
- Replace all devices, doors, and covers before turning on power to this equipment.
- Beware of potential hazards and carefully inspect the work area for tools and objects that may have been left inside the equipment.

**Failure to follow these instructions will result in death or serious injury.**

 **DANGER**

**HAZARD OF ELECTRIC SHOCK, EXPLOSION, OR ARC FLASH**

Do not re-close the device on an electrical fault. First inspect and, if necessary, repair the downstream equipment.

**Failure to follow these instructions will result in death or serious injury.**

The feed must be isolated before inspecting the electrical equipment downstream of the protection.

The fact that a circuit breaker has tripped does not remedy the cause of the electrical fault detected on the downstream electrical equipment.

---

## Inspecting the Circuit Breaker and Switchboard After a Trip on Short Circuit

After a trip on short circuit due to short-time or instantaneous protection, the circuit breaker and switchboard must be inspected for smoke deposits or cracks in the device casing.

Refer to DOCA0099•• *MasterPacT MTZ - IEC Circuit Breakers with MicroLogic X Control Unit and Switch-Disconnectors - Maintenance Guide*, page 8 and contact your Schneider Electric Services representative.




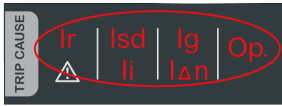




# Resetting the Circuit Breaker After a Trip Due to an Incident Detected by the MicroLogic X Self-tests

## Reset Sequence

The following table shows the sequence of actions to take after a trip due to an incident detected by the MicroLogic X control unit. Further explanation of each action is given in the following paragraphs.

Step	Action
1	Identify the trip cause.
2	Press <b>OK</b> to view details of the trip cause on the display screen: <ul style="list-style-type: none"> <li>• A code that identifies the trip cause.</li> <li>• A trip message describing the cause of the incident.</li> <li>• The date and time that the incident occurred.</li> </ul>
3	Consult the list of possible detected incidents, page 132 and perform the actions recommended to restart after the trip.
4	Press <b>OK</b> to acknowledge the trip and return to the <b>Home</b> menu.
5	Reset the circuit breaker, page 60.
6	Press the <b>Test/Reset</b> button for 3 seconds to reset the latched events and switch off the trip cause LEDs and the service LED.
7	When the circuit breaker is ready to close, re-close it, page 57.

## Identifying the Trip Cause

Ready LED	Service LED	MicroLogic X display screen	Trip cause LEDs	Description
<p>Ready LED off.</p> 	<p>Service LED on red.</p> 		<p>All LEDs are on.</p> 	<p>Major MicroLogic X control unit incident detected during self-test, page 132.</p>
<p>Ready LED flashing green.</p> 	<p>Service LED off.</p> 		<p>Op. LED is on.</p> 	<p>Circuit breaker incident detected during self-test, page 132.</p>

## Recommended Actions After a Trip Due to a MicroLogic X Incident

The following table indicates what action to perform according to the trip message.

For more information, refer to the event messages in DOCA0102•• *MasterPacT MTZ – MicroLogic X Control Unit – User Guide*, page 8.

Code	Trip message	Description	Recommended action
0x1400 0x1404 0x1405 0x1406 0x1416	<b>Control unit self test major malfunction</b>	The control unit self test detected a major malfunction in the control unit operation.  <b>NOTE:</b> The malfunction trips or does not trip the circuit breaker, depending on the malfunction detected.	Plan to replace the MicroLogic X control unit.
0x1402	<b>Internal current sensor disconnected</b>	The control unit self test detected the disconnection of an internal sensor of the circuit breaker.	Plan to replace the MicroLogic X control unit.
0x1403	<b>External neutral current sensor disconnected</b>	The control unit self-test detected the disconnection of the external neutral current sensor of the circuit breaker.	Check connection of the External Neutral Current Sensor (ENCT).
0x6407	<b>Self diagnostic trip</b>	The circuit breaker tripped following a control unit microprocessor (Asic) invalid result.	Plan to replace the MicroLogic X control unit.
0x641F	<b>Replace Circuit Breaker. Self Diagnostic</b>	The circuit breaker tripped following a major malfunction of one or two internal current power supply sensors of the circuit breaker.	Replace the circuit breaker.

# Diagnosing Alarms

## Diagnosis Sequence

The following table shows the sequence of actions to take after an alarm is detected by the MicroLogic X control unit. Further explanation of each action is given in the following paragraphs.

Step	Action
1	Identify the alarm detected.
2	Press <b>OK</b> to view details of the alarm detected on the display screen: <ul style="list-style-type: none"> <li>• An alarm message.</li> <li>• The date and time that the alarm occurred.</li> </ul>
3	Consult the list of alarm messages in the following tables and perform the actions recommended.
4	Press <b>OK</b> to acknowledge the alarm and return to the <b>Home</b> menu.
5	Press the <b>Test/Reset</b> button for 3 seconds to reset the latched events and switch off the trip cause LEDs and the service LED.











## Identifying the Alarm Detected

The MicroLogic X control unit indicates alarms with:

- The **Ready** LED (flashing green or off)
- The service LED (red or orange)
- A pop-up alarm screen (red or orange)

Two levels of alarm are detected and indicated by the color of the service LED:

- Red for high-severity detected alarms.
- Orange for medium-severity detected alarms.

Ready LED	Service LED	MicroLogic X display screen	Trip cause LEDs	Description
<p><b>Ready</b> LED flashing green or <b>Ready</b> LED off.</p>  	<p>Service LED on red.</p> 		<p>All LEDs are off or all LEDs are on.</p>  	<p>High severity alarm, page 135</p>
<p><b>Ready</b> LED flashing green.</p> 	<p>Service LED on orange.</p> 		<p>All LEDs are off.</p> 	<p>Medium severity alarm, page 136</p>

## Recommended Action After Detection of High Severity Alarms

The following table indicates what action to perform according to the alarm message.

For more information, refer to the event messages in DOCA0102•• *MasterPacT MTZ – MicroLogic X Control Unit – User Guide*, in **Related Documents** at the beginning of this guide.

Code	Alarm message	Alarm description	Recommended action
0x1400 0x1404 0x1405 0x1406 0x1416	<b>Control unit self test major malfunction</b>	The control unit self test detected a major malfunction in the control unit operation.  <b>NOTE:</b> The malfunction trips or does not trip the device, depending on the malfunction detected.	Plan to replace the MicroLogic X control unit.
0x1408	<b>Earth leakage (Vigi) sensor disconnected</b>	The control unit self test detected the disconnection of an earth leakage (Vigi) sensor.	Check the connection of the external earth leakage (Vigi) sensor.
0x1409	<b>Unable to read sensor plug</b>	The control unit is unable to read the value of the sensor plug.	Check connection of the sensor plug and performer plugs. If the connection is good but it fails again, replace the sensor plug or the control unit.
0x1413	<b>IΔn/Ig test - no trip</b>	The earth-leakage (IΔn)/ground (Ig) did not trip.	Restart the test. If it fails again, replace the control unit.
0x1430	<b>Protection settings reset to factory values</b>	If switched off, the control unit will be reset at next reboot to the default values of the protection settings, due to a control unit incident.	Update the MicroLogic X control unit firmware with EcoStruxure Power Commission software. Otherwise, plan to replace the MicroLogic X control unit
0x1442	<b>Contact wear &gt; 100%. Replace CB</b>	The contact wear indicator reached the threshold of 100%.	Replace the circuit breaker. Consult contact wear interpretation on EcoStruxure Power Device app in order to estimate the circuit breaker ability to isolate, withstand rated duty, operate, trip.
0x1444	<b>CB has reached the max number of operations</b>	The circuit breaker reached the maximum number of operations.	Replace the circuit breaker.
0x1446	<b>MicroLogic control unit has reached the max service life</b>	MicroLogic control unit reached 15 years of service life.	Replace the MicroLogic X control unit.
0x1451	<b>MCH has reached the max number of operations</b>	The MCH gear motor reached the maximum number of operations.	Replace the MCH.
0x1453	<b>MX1 voltage release has reached the max number of operations</b>	The MX1 voltage release reached the maximum number of operations.	Replace the MX1 voltage release.
0x1455	<b>XF voltage release has reached the max number of operations</b>	The XF voltage release reached the maximum number of operations.	Replace the XF voltage release.
0x1457	<b>MN undervoltage release has reached the max number of operations</b>	The MN undervoltage release reached the maximum number of operations.	Replace the MN undervoltage release.
0x1459	<b>MX2 voltage release has reached the max number of operations</b>	The MX2 voltage release reached the maximum number of operations.	Replace the MX2 voltage release.
0x150F	<b>Replace Circuit Breaker.</b>	The control unit self test detected the malfunction of all internal current power supply sensors of the circuit breaker.	Replace the circuit breaker.
0x1510	<b>Replace Circuit Breaker. Tsd forced to 0.</b>	The control unit self test detected the malfunction of all internal current power supply sensors of the circuit breaker and Tsd is forced to 0.	Replace the circuit breaker.

Code	Alarm message	Alarm description	Recommended action
0x1511	<b>Plan to Replace Circuit Breaker.</b>	The control unit self test detected the malfunction of one or two internal current power supply sensors of the circuit breaker.	Plan to replace the circuit breaker.
0x1512	<b>Replace Circuit Breaker.</b>	The control unit self test detected the major malfunction of one or two internal current power supply sensors of the circuit breaker.	Replace the circuit breaker.

For more information about the maximum number of operations for individual parts, refer to DOCA0099•• *MasterPacT MTZ - IEC Circuit Breakers with MicroLogic X Control Unit and Switch-Disconnectors - Maintenance Guide* in **Related Documents** at the beginning of this guide.

Contact your Schneider Electric Services representative for more information about who can carry out the recommended actions.

## Recommended Action After Medium Severity Alarms

The following table indicates what action to perform according to the alarm message.

For more information, refer to the event messages in DOCA0102•• *MasterPacT MTZ – MicroLogic X Control Unit – User Guide*, in **Related Documents** at the beginning of this guide.

Code	Alarm message	Alarm description	Recommended action
0x03F5	<b>Ir prealarm (I &gt; 90% Ir)</b>	The long time protection prealarm started: at least one of the phase or neutral currents is above the 90% Ir threshold. The circuit breaker is operating close to Ir threshold.	Check the load.
0x0D00	<b>Critical hardware modules discrepancy</b>	There is a major hardware discrepancy between the installed modules that prevents them from operating.	Check which module is in critical hardware discrepancy with the EcoStruxure Power Commission software Firmware menu. Replace the module.
0x0D01	<b>Critical firmware modules discrepancy</b>	There is a major software discrepancy between the installed ULP modules that prevents them from operating.	Check which module is in critical firmware discrepancy with the EcoStruxure Power Commission software. Update the module.
0x0D02	<b>Non-critical hardware modules discrepancy</b>	There is a minor hardware discrepancy between the installed modules that prevents them from operating correctly.	Check which module is in non-critical hardware discrepancy with the EcoStruxure Power Commission software Firmware menu. Plan to replace the module.
0x0D03	<b>Non-critical firmware modules discrepancy</b>	There is a minor software discrepancy between the installed modules that prevents them from operating correctly.	Check which module is in non-critical firmware discrepancy with the EcoStruxure Power Commission software. Plan to update the module.
0x0D06	<b>Config. error - dual settings or inhibit close order</b>	There is a declaration error between the IO module and the control unit.	Correct the configuration error with EcoStruxure Power Commission software: <ul style="list-style-type: none"> <li>• Dual settings configuration error: <ol style="list-style-type: none"> <li>1. Set <b>Switch mode</b> to <b>IO - 1 Wire</b> or <b>IO - 2 Wires</b>.</li> <li>2. Set IO module with <b>dual setting</b> assignment.</li> </ol> </li> <li>• Inhibit close order configuration error: <ol style="list-style-type: none"> <li>1. Set <b>Allow control by digital input</b> under breaker close as enabled.</li> <li>2. Set IO module with <b>Enable/ Inhibit close order</b> assignment.</li> </ol> </li> </ul>



Diagnosing Alarms

Code	Alarm message	Alarm description	Recommended action
0x0D08	<b>Address conflict between modules</b>	The control unit self-test detected the unexpected presence of IO2 module when IO1 is not present.	If two IO modules are installed in the system, make sure one is configured as IO#1, the other as IO#2.
0x0D09	<b>Firmware discrepancy within CU</b>	The control unit self-test detected a discrepancy between the firmware versions of control unit processors.	Check the firmware version of the MicroLogic X control unit with EcoStruxure Power Commission software. If not latest, update the firmware of the MicroLogic X control unit.
0x0D0A	<b>Invalid Control Unit factory config #1</b>	The factory configuration of the control unit is invalid.	Plan to replace the MicroLogic X control unit.
0x0D0C	<b>Config error IO/CU: optional protection Inhibit</b>	There is a declaration error between the IO module and the control unit for inhibition of optional protection functions.	Correct the configuration error with EcoStruxure Power Commission software: <ul style="list-style-type: none"> <li>• If you want optional protection inhibition to be controlled by IO module, connect an IO module with inhibit optional protection assignment.</li> <li>• If you do not want optional protection inhibition to be controlled by IO module, connect an IO module without inhibit optional protection assignment.</li> </ul>
0x0D0D	<b>Config. error IO and CU - Local/Remote mode</b>	There is a declaration error between the IO module and the control unit for local/remote mode assignment.	Correct the configuration error with EcoStruxure Power Commission software: <ul style="list-style-type: none"> <li>• If you want the L/R mode to be controlled by the IO module, connect an IO module with L/R mode assignment.</li> <li>• If you do not want the L/R mode to be controlled by the IO module, connect an IO module without L/R mode assignment.</li> </ul>
0x0D0E	<b>Discrepancy between Display and MicroLogic</b>	The control unit self-test detected a discrepancy between the hardware version of the embedded display screen and the firmware version of the control unit.	Replace the embedded display screen.
0x1108	<b>Protection changed by communication</b>	The protection parameters were changed by communication from remote controller, EcoStruxure Power Commission software, or EcoStruxure Power Device app.	No action required, for information only.
0x1120	<b>Communication lost with IO#1 module</b>	The control unit lost communication with the IO1 module.	Check the power supply of the IO1 module. Check the ULP cable connection.
0x1121	<b>Communication lost with IO#2 module</b>	The control unit lost communication with the IO2 module.	Check the power supply of the IO2 module. Check the ULP cable connection.
0x1122	<b>Communication lost with EIFE or IFE module</b>	The control unit lost communication with the EIFE or IFE module.	Check the power supply of the EIFE or IFE module. Check the ULP cable connection.
0x1123	<b>Communication lost with IFM module</b>	The control unit lost communication with the IFM module.	Check the power supply of the IFM module. Check the ULP cable connection.
0x112C	<b>Control unit firmware update unsuccessful</b>	The firmware update of the control unit was unsuccessful.	Restart the update procedure. If the message is displayed again, plan to replace the MicroLogic X control unit.
0x1471 0x1472	<b>Control unit self test</b>	The control unit self-test detected an invalid result with minor impact.	Plan to replace the MicroLogic X control unit.
0x147B	<b>Invalid display screen or wireless communication</b>	The control unit self-test detected an invalid display screen or wireless communication.	Plan to replace the embedded display screen, which contains the wireless antenna.
0x1411	<b>Invalid measurement and optional protection #1</b>	The control unit self-test detected an invalid result with minor impact in the metering and other protection functions of the control unit.	Plan to replace the MicroLogic X control unit.

Code	Alarm message	Alarm description	Recommended action
0x1414 0x1415	<b>NFC invalid communication</b>	The control unit self-test detected an invalid NFC connection.	Plan to replace the embedded display screen, which contains the wireless antenna.
0x1422	<b>Invalid Bluetooth communication</b>	The control unit self-test detected the absence of Bluetooth communication.	Plan to replace the embedded display screen.
0x1433	<b>Replace internal battery</b>	The lithium battery is under 3 V and needs to be replaced soon.	Replace internal battery.
0x1434	<b>Self diagnostic test - firmware</b>	The control unit self-test detected a firmware internal incident.	Update the firmware of the MicroLogic X control unit with EcoStruxure Power Commission software.
0x1438	<b>Main voltage loss and Circuit Breaker is closed</b>	The circuit breaker is closed but no voltage is detected.	Check main voltage on the busbar.
0x1440	<b>Contact wear &gt; 60%. Check contacts</b>	The contact wear indicator reached or is above the threshold of 60%.	Inspect visually the arc chute and main contacts at the next scheduled maintenance. Consult contact wear interpretation on EcoStruxure Power Device app in order to estimate the circuit breaker ability to isolate, withstand rated duty, operate, trip.
0x1441	<b>Contact wear &gt; 95%. Plan for replacement</b>	The contact wear indicator reached or is above the threshold of 95%.	Plan to replace the circuit breaker. Consult contact wear interpretation on EcoStruxure Power Device app in order to estimate the circuit breaker ability to isolate, withstand rated duty, operate, trip.
0x1443	<b>Remaining service life of CB is below alarm threshold</b>	The circuit breaker reached 80% of the maximum number of operations.	Plan to replace the circuit breaker. To refine this theoretical alarm by taking in account environmental parameters, you may ask for aging diagnostic. If the device is cloud connected, use EcoStruxure asset advisor for remote aging diagnostic. Otherwise, contact Schneider Electric services for a local aging diagnostic.
0x1445	<b>Remaining service life of MicroLogic is below alarm threshold</b>	The control unit reached 12 years of service life.	Plan to replace the MicroLogic X control unit. To refine this theoretical alarm by taking in account environmental parameters, you may ask for aging diagnostic. If the Device is cloud connected, use EcoStruxure asset advisor for remote aging diagnostic. Otherwise, contact Schneider Electric services for a local aging diagnostic.
0x1450	<b>MCH charging operation counter is above alarm threshold</b>	The MCH gear motor reached 80% of the maximum number of operations.	Plan to replace the MCH. Consult the predicted date of replacement on EcoStruxure Power Device app.
0x1452	<b>MX1 voltage release operation counter is above alarm threshold</b>	The MX1 voltage release reached 80% of the maximum number of operations.	Plan to replace the MX1 voltage release. Consult the predicted date of replacement on EcoStruxure Power Device app.
0x1454	<b>XF voltage release operation counter is above alarm threshold</b>	The XF voltage release reached 80% of the maximum number of operations.	Plan to replace the XF voltage release. Consult the predicted date of replacement on EcoStruxure Power Device app.
0x1456	<b>MN undervoltage release operation counter is above alarm threshold</b>	The MN undervoltage release reached 80% of the maximum number of operations.	Plan to replace the MN undervoltage release. Consult the predicted date of replacement on EcoStruxure Power Device app.
0x1458	<b>MX2 voltage release operation counter is above alarm threshold</b>	The MX2 voltage release reached 80% of the maximum number of operations.	Plan to replace the MX2 voltage release. Consult the predicted date of replacement on EcoStruxure Power Device app.
0x1460	<b>Invalid self test - MX1 voltage release</b>	The control unit self-test of the MX1 voltage release detected an invalid result with minor impact.	Plan to replace the MX1 voltage release.
0x1461	<b>MX1 voltage release not detected</b>	The control unit self-test detected the unexpected absence of the MX1 voltage release.	Check the connection of the MX1 voltage release.

Diagnosing Alarms

Code	Alarm message	Alarm description	Recommended action
0x1462	<b>Invalid self test - XF voltage release</b>	The control unit self-test of the XF voltage release detected an invalid result with minor impact.	Plan to replace the XF voltage release.
0x1463	<b>XF voltage release not detected</b>	The control unit self-test detected the unexpected absence of the XF voltage release.	Check the connection of the XF voltage release.
0x1464	<b>Invalid self test - MN undervoltage release</b>	The control unit self-test of the MN undervoltage release detected an invalid result with minor impact.	Plan to replace the MN undervoltage release.
0x1465	<b>MN undervoltage release not detected</b>	The control unit self-test detected the unexpected absence of the MN undervoltage release.	Check the connection of the MN undervoltage release.
0x1466	<b>Voltage loss on MN undervoltage release</b>	The circuit breaker opened because there is no control voltage on the MN undervoltage release.	Check the control voltage.
0x1467	<b>Communication loss on MN undervoltage release</b>	The control unit lost communication with the MN undervoltage release.	Check the internal connection of MN undervoltage release.
0x1468	<b>Invalid self test - MX2 voltage release</b>	The control unit self-test of the MX2 voltage release detected an invalid result with minor impact.	Plan to replace the MX2 voltage release.
0x1469	<b>MX2 voltage release not detected</b>	The control unit self-test detected the unexpected absence of the MX2 voltage release.	Check the connection of the MX2 voltage release.
0x140F 0x1474 0x1475 0x1476	<b>Protection settings no accessible</b>	The control unit cannot access the protection settings.	Plan to replace the MicroLogic X control unit.
0x1479	<b>Invalid measurement and optional protection</b>	The control unit self-test detected an invalid measurement or an invalid optional protection function of the control unit.	Plan to replace the MicroLogic X control unit.
0x6200	<b>I<sub>r</sub> start (I &gt; 105% I<sub>r</sub>)</b>	The long time protection started: at least one of the phase or neutral currents is above the I <sub>r</sub> threshold. The circuit breaker will trip at the end of time delay.	No action required, for information only.
0x6300	<b>I<sub>r</sub> operate</b>	The long time protection operated: at least one of the phase or neutral currents is above the I <sub>r</sub> threshold and the t <sub>r</sub> time delay is elapsed.	No action required, for information only.
0x6301	<b>I<sub>sd</sub> operate</b>	The short time protection operated: at least one of the phase or neutral currents is above the I <sub>sd</sub> threshold and the t <sub>sd</sub> time delay is elapsed.	No action required, for information only.
0x6302	<b>I<sub>i</sub> operate</b>	The instantaneous protection operated: at least one of the phase or neutral currents is above the I <sub>i</sub> threshold (no time delay).	No action required, for information only.
0x050C	<b>I<sub>g</sub> alarm</b>	The ground fault alarm operated: the ground fault current is above the I <sub>g</sub> alarm threshold and the t <sub>g</sub> time delay alarm is elapsed.	Check insulation between phase/neutral and ground (earth).
0x6303	<b>I<sub>g</sub> operate</b>	The ground fault protection operated: the ground fault current is above the I <sub>g</sub> threshold and the t <sub>g</sub> time delay is elapsed.	No action required, for information only.
0x050D	<b>I<sub>Δn</sub> alarm</b>	The earth leakage alarm operated: the earth leakage current is above the I <sub>Δn</sub> alarm threshold and the t <sub>Δn</sub> time delay alarm is elapsed.	Check insulation between phase/neutral and ground (earth).
0x6304	<b>I<sub>Δn</sub> operate</b>	The earth leakage (I <sub>Δn</sub> ) protection started: the earth leakage current is above the I <sub>Δn</sub> threshold and the t <sub>Δn</sub> time delay is elapsed.	No action required, for information only.
0x6310	<b>Undervoltage on 1 phase operate</b>	Undervoltage protection on one phase operated: one of the three monitored voltages is below the V <sub>min1</sub> threshold.	No action required, for information only.

Code	Alarm message	Alarm description	Recommended action
0x632A	<b>Undervoltage on all 3 phases operate</b>	Undervoltage protection on all three phases operated: the three monitored voltages are below the Vmin2 threshold.	No action required, for information only.
0x6311	<b>Overvoltage on 1 phase operate</b>	Overvoltage protection on one phase operated: one of the three monitored voltages is above the Vmax1 threshold.	No action required, for information only.
0x632B	<b>Overvoltage on all 3 phases operate</b>	Overvoltage protection on all three phases operated: the three monitored voltages are above the Vmax2 threshold.	No action required, for information only.
0x6315	<b>Underfrequency operate</b>	The underfrequency protection operated: the frequency is below the Fmin threshold.	No action required, for information only.
0x6316	<b>Overfrequency operate</b>	The overfrequency protection operated: the frequency is above the Fmax threshold.	No action required, for information only.
0x6314	<b>Reverse power operate</b>	The reverse power protection operated: the reverse power is above the Rp threshold and the tRp time delay is elapsed.	No action required, for information only.
0x6321	<b>IDMTL long-time operate</b>	The IDMTL long-time protection operated: at least one of the phase or neutral currents is above the IDMTL Ir threshold and the IDMTL tr time delay is elapsed.	No action required, for information only.
0x6323	<b>Forward directional overcurrent operate</b>	The forward directional overcurrent protection operated: the forward directional overcurrent is above the Ifw threshold and the tfw time delay is elapsed.	No action required, for information only.
0x6324	<b>Reverse directional overcurrent operate</b>	The reverse directional overcurrent protection operated: the reverse directional overcurrent is above the Irv threshold and the trv time delay is elapsed.	No action required, for information only.
0x6332	<b>IDMTG Ig operate</b>	The IDMTG ground-fault protection operated: the ground-fault current is above the IDMTG Ig threshold and the IDMTG tg time delay is elapsed.	No action required, for information only.
0x0C04	<b>ESM (ERMS switch module) self diagnostic alarm</b>	The ESM self-test detected an invalid result with minor impact.	Plan to replace the ESM (ERMS switch module).
0x0C05	<b>Communication lost with ESM (ERMS switch module)</b>	The control unit lost communication with ESM module (ERSM switch module).	Plan to replace the ESM (ERMS switch module).
0x142C	<b>Ig protection configured in OFF mode</b>	The Ig protection (IEC version) is disabled.	No action required, for information only.
0x142F	<b>Last modification of protection settings has not been completely applied</b>	The control unit did not apply the last modification.	Apply again the protection settings.
0x147C	<b>Invalid optional protection self test</b>	The control unit self-test of optional protections detected an invalid result with minor impact.	Plan to replace the MicroLogic X control unit.
0x6306	<b>Ultimate self-protection (SELLIM) operate</b>	The integrated instantaneous protection (SELLIM) operates: at least one of the phase or neutral currents is above the SELLIM threshold (no time delay).	No action required, for information only.
0x631D	<b>Ultimate self-protection (DIN/DINF) operate</b>	The integrated instantaneous protection (DIN/DINF) operates: at least one of the phase or neutral currents is above the DIN/DINF threshold (no time delay).	No action required, for information only.
0x1480	<b>Schedule basic maintenance within one month</b>	A basic maintenance program should be performed within one month.	Plan to schedule the basic preventive maintenance program within one month. To plan, edit report and track maintenance intervention, you may use EcoStruxure Facility Expert app.

Diagnosing Alarms

Code	Alarm message	Alarm description	Recommended action
0x1481	<b>Schedule standard maintenance within one month</b>	A standard maintenance program should be performed within one month.	Plan to schedule the basic preventive maintenance program within one month. To plan, edit report and track maintenance intervention, you may use EcoStruxure Facility Expert app.
0x1482	<b>Schedule manufacturer maintenance within three months</b>	A manufacturer maintenance program should be performed within three months.	Plan to schedule the manufacturer preventive maintenance program within three months. To plan, edit report and track maintenance intervention, you may use EcoStruxure Facility Expert app.

# Diagnosing Error Messages

## Diagnosis Sequence

The following table shows the sequence of actions to take after an error is detected by the MicroLogic X control unit. Further explanation of each action is given in the following paragraphs.

Step	Action
1	Identify the error detected.
2	Consult the list of error messages, page 142 and perform the actions recommended.
3	Press <b>OK</b> to acknowledge the error and return to the <b>Home</b> menu.
4	Press the <b>Test/Reset</b> button for 3 seconds to reset the latched events.

## Identifying the Error Detected

An error message is displayed when the MicroLogic X control unit detects an internal error.

Example of error screen:



## Recommended Action After Detection of Errors

The following table indicates what action to perform according to the error message.

Code	Error message	Error description	Recommended action
1 to 24 157 190	Service not performed - internal error	The requested action has failed due to an internal error	Repeat the action that caused the error. If the message is displayed again, switch off the 24 Vdc of the MicroLogic X control unit and switch it on again. If the problem persists, call your Schneider Electric Services representative.
158	Command rejected, already in progress	The MicroLogic X control unit has detected simultaneous orders (for example between IO and control unit).	Repeat the command.
169	Command rejected, already in asked state.	The MicroLogic X control unit is already in the requested state.	Check that the MicroLogic X control unit is in the required state. If it is not, repeat the command.
174	Session Key is invalid	The request action has failed because the session key is not valid.	Repeat the action that caused the error. If the message is displayed again, switch off the 24 Vdc of the MicroLogic X control unit and switch it on again. If the problem persists, call your Schneider Electric Services representative.
175	Out of session scope	The requested action has failed because it is not within the session scope.	Repeat the action that caused the error. If the message is displayed again, switch off the 24 Vdc of the MicroLogic

Diagnosing Error Messages

Code	Error message	Error description	Recommended action
			X control unit and switch it on again. If the problem persists, call your Schneider Electric Services representative.
176	Session is already opened	The MicroLogic X control unit has detected simultaneous settings sessions (for example, EcoStruxure Power Commission and control unit).	Press <b>OK</b> to clear the message and then repeat the command.
177	No session is open	Submit/apply operations have not been performed within five minutes.	Start a new session, re-enter the settings, then submit and apply them.
180	Bluetooth disabled! To enable go to Configuration menu.	Bluetooth communication has not been enabled for the MicroLogic X control unit.	Enable Bluetooth communication from the MicroLogic X control unit menu > Configuration > Communication > Bluetooth.

Contact your Schneider Electric Services representative for more information about who can carry out the recommended actions.

# MasterPacT MTZ Commissioning

## What's in This Part

Introduction to Commissioning .....	145
Inspection and MicroLogic X Settings .....	147
Tests .....	149
Communication Tests .....	154
Final Checks and Reporting .....	155
MasterPacT MTZ Test Form.....	156



# Introduction to Commissioning

## Overview

### **⚠️⚠️ DANGER**

#### **HAZARD OF ELECTRIC SHOCK, EXPLOSION, OR ARC FLASH**

- Apply appropriate personal protective equipment (PPE) and follow safe electrical work practices. See NFPA 70E, CSA Z462, NOM 029-STPS, or local equivalent.
- This equipment must only be installed and serviced by qualified electrical personnel.
- Unless specified otherwise in the commissioning procedures, all operations (inspection, test, and preventive maintenance) must be carried out with the device, the chassis, and the auxiliary circuits de-energized.
- Check that the device and the chassis are de-energized on the upstream and downstream terminals.
- Always use a properly rated voltage sensing device to confirm that the device, the chassis, and the auxiliary circuits are de-energized.
- Install safety barriers and display a danger sign.
- During the tests, it is strictly forbidden for anyone to touch the device, the chassis, or the conductors while voltage is applied.
- Before putting the equipment back into operation, it is mandatory to check that all connections are made with the correct tightening torque, there are no tools or objects inside the equipment, all devices, doors, and protective covers are in position, and the device is off (open position).

**Failure to follow these instructions will result in death or serious injury.**

This part details the testing and commissioning procedure for MasterPacT MTZ devices that must be done before the device can be accepted as fit for service and connected to a power supply.

The commissioning procedure must be done by an authorized commissioning engineer with appropriate training and experience:

- Only qualified electrical personnel with training and experience on low voltage circuits must perform the work described in this part.

Personnel must understand the hazards involved in working with or near low-voltage equipment. Such work must be performed only after reading the complete set of instructions.

- Some inspections or procedures require that certain parts of the electrical system remain energized at hazardous voltage during the procedure. Observe all safety messages (Danger, Warning, Caution) throughout this part and the corresponding instruction notices.
- Wear personal protective equipment, recognize potential hazards, and take adequate safety precautions when performing the procedures outlined in this part and the corresponding instruction notices.

The commissioning procedure assumes that the following conditions are met at the start of the procedure:

- The device is not connected to a power system or a control system.
- A drawout device is in the disconnected position.
- The device is not connected to a communication network.

The results of all observations, tests, adjustments, together with any relevant comments must be recorded on the appropriate form, if applicable.

Wherever possible, testing must be done without disconnecting or disturbing existing wiring.

## Scope

The commissioning procedure applies to the MasterPacT MTZ intelligent modular unit (IMU), made up of:

- MasterPacT MTZ circuit breaker with its MicroLogic X control unit and optional ULP modules:
  - One IFE, EIFE, or IFM communication interface
  - One or two IO modules
  - One FDM121 display
- MasterPacT MTZ switch-disconnector

The associated information, which must be read with this procedure, includes specific schematic diagrams, connections, and trip levels for the devices covered by this document.

## Equipment

The following equipment is required to do the tests detailed in the commissioning procedure:

- Insulation resistance tester
- Multimeter
- A PC equipped with the latest version of EcoStruxure Power Commission software
- A USB to mini USB cable (LV850067SP) to connect the PC to the MicroLogic X control unit

## Test Form

A test form, page 156 is proposed to guide you through the commissioning procedure and to record the results of the commissioning tests. Each test is described in detail in the Commissioning part.

Only do the tests required, depending on the MasterPacT MTZ type and the functions in use.

# Inspection and MicroLogic X Settings

## Visual Inspection

Step	Action
1	Record the equipment identification, including substation name, switchboard name, MasterPacT MTZ device type, MicroLogic X model type and serial number, MicroLogic X type, and protection settings.
2	Check that the device is undamaged, correctly mounted, and securely fastened in the switchboard.
3	Check the 3-phase clearance at terminal blocks.
4	Check that there is no debris remaining at the back of the device housing/enclosure.
5	Check that the ground terminals of the device are securely connected with the correct grounding cables.
6	Check that all external surfaces are undamaged.
7	Rectify any non-conformities, if possible. All equipment non-conformities must be referred to asset management.

## Condition of Connections and Auxiliaries

Check device mounting in the switchboard and the tightness of all connections (main connection and auxiliary wiring).

Check that all auxiliaries and accessories are correctly installed:

- Electrical auxiliaries
- Terminal blocks
- Connections of auxiliary circuits

## Check Firmware Compatibility

By using the latest version of EcoStruxure Power Commission software, check that the firmware of the MicroLogic X control unit and ULP modules in the intelligent modular unit (IMU) are up-to-date, compatible with each other, and are compatible with the Digital Modules that are installed. The ULP modules are EIFE, IFE, or IFM communication interfaces, IO module, and FDM121 display.

Step	Action
1	Connect a PC running EcoStruxure Power Commission software by using a cable connected to the mini USB port on the front face of the MicroLogic X control unit.
2	Establish a connection. EcoStruxure Power Commission software reads the parameters of the control unit.
3	On EcoStruxure Power Commission, use the Overall System firmware status/compatibility matrix to display: <ul style="list-style-type: none"> <li>• The installed firmware version of the IMU devices (MicroLogic X control unit and ULP modules).</li> <li>• The latest firmware version of the devices that are available on the Schneider Electric System Updates Internet site.</li> <li>• The recommended actions to get a compatible system.</li> </ul> For more information, refer to <i>EcoStruxure Power Commission Online Help</i> . <b>NOTE:</b> The FDM121 display firmware version must be 004.000.009 or greater to be compatible with MicroLogic X control units. Earlier firmware versions need to be updated, refer to <i>Troubleshooting</i> , page 175.
4	Follow the recommended actions to get a compatible system.

## MicroLogic X Settings

### **NOTICE**

#### **RISK OF UNINTENDED OPERATION**

- The device must only be configured and set by qualified personnel, using the results of the installation protection system study.
- During commissioning of the installation and following any modification, check that the MicroLogic B/BP configuration and protection function settings are consistent with the results of this study.
- MicroLogic B/BP protection functions are set by default to the minimum value, except for the long time protection function which is set to the maximum value, by default.

**Failure to follow these instructions can result in equipment damage.**

Check the settings with EcoStruxure Power Commission software connected to the MicroLogic X control unit.

Step	Action
1	Connect a PC running EcoStruxure Power Commission software by using a cable connected to the mini USB port on the front face of the MicroLogic X control unit.
2	Establish a connection. EcoStruxure Power Commission software reads the parameters of the control unit.
3	Check that the settings read in the control unit match the requirements of the application. If necessary, correct the settings with EcoStruxure Power Commission software: <ul style="list-style-type: none"> <li>• The protection settings must be defined according to the installation protection system study.</li> <li>• Other settings must be defined according to the application.</li> </ul>
4	Check that the date and time are set. If necessary, set them on the MicroLogic X display screen at <b>Home &gt; Configuration &gt; General &gt; Date &amp; time</b> .
5	Complete the project and device data.
6	Generate the project report with EcoStruxure Power Commission software, and save or print the project report as needed.

**NOTE:** The protection functions available depend on the type of MicroLogic X control unit and its associated optional Digital Modules.

# Tests

## Overview

The tests to do while commissioning a MasterPacT MTZ device are described in this section:

- Functional checks
- Check of MCH gear motor (if fitted)
- Check of M2C programmable contacts and IO module (if fitted)
- Check of ESM ERMS switch module (if fitted)
- Check of electrical continuity
- Check of high-voltage insulation
- Check of MicroLogic X **Ready** LED status
- Test of the tripping mechanism with EcoStruxure Power Commission software
- Test of the tripping mechanism with the test button (MicroLogic 6.0 X or 7.0 X control units)
- Automatic trip curve test with EcoStruxure Power Commission software

Only do the tests required, depending on the MasterPacT MTZ type and the functions in use, and record the results on the test form, page 156. In the event of non-conformance, the result must be recorded and the MasterPacT MTZ device must not be accepted into service.

## Functional Checks

Follow this procedure to check the operation of the MasterPacT MTZ device and record the results on the test form.

Step	Action
1	Manually charge the mechanism by pulling the spring charging handle down.
2	Close the device. Check the closing of the device in each of the different control modes and means designed for the application.
3	Open the device. Check the opening of the device in each of the different control modes and means designed for the application.

If the device does not close or does not open, refer to *Troubleshooting*, page 161.

## Check of MCH Gear Motor (if Fitted)

Follow this procedure to check the operation of the MCH gear motor and record the results on the test form.

Step	Action
1	Remove the MCH gear motor power supply.
2	Do an opening/closing/opening cycle to discharge the mechanism.
3	With the device in the open position and the mechanism discharged, check electrical continuity between terminals B1 and B2, and electrical non-continuity between terminals B1 and B3.
4	Manually charge the mechanism.
5	Reconnect the MCH gear motor power supply. The device closes and the mechanism is automatically charged.

Step	Action
6	Check electrical continuity between terminals B1 and B3.
7	Operate the device several times to check that the spring mechanism automatically recharges after every closing operation.

## Check of M2C Programmable Contacts and IO Module (if Fitted)

Follow this procedure to check the operation of inputs and outputs, and record the results on the test form.

Step	Action
1	Connect a PC running EcoStruxure Power Commission software by using a cable to the mini USB port on the front face of the MicroLogic X control unit.
2	Force the state of both inputs of the M2C programmable contacts and check that the operation is correct.
3	Force the state of the six digital inputs and three outputs of the one or two IO modules in the IMU to check the wiring to the circuit breaker. Check that the operation is correct.

## Check of ESM ERMS Switch Module (if Fitted)

Follow this procedure to check the operation of the ESM ERMS switch module, and record the results on the test form.

Step	Action
1	Make sure that the MicroLogic X control unit is powered permanently with a 24 Vdc power supply.
2	Connect the ESM ERMS switch module to an external switch with a 24 Vdc or 24—120 Vac power supply.
3	Activate the ERMS function by moving the external switch to the <b>Engage</b> position. Check that: <ul style="list-style-type: none"> <li>The ERMS LED on the front face of the MicroLogic X control unit lights blue.</li> <li>The MicroLogic X control unit display screen is lit with a blue backlight.</li> <li>The message ERMS Engaged is displayed on the MicroLogic X control unit display screen.</li> </ul>
4	Disengage the ERMS function by moving the external switch to the <b>Disengage</b> position, and check after 3 s that the MicroLogic X control unit returns to its original state.

## Check of Electrical Continuity

Follow this procedure to check electrical continuity using a multimeter or continuity checker and record the results on the test form.

Step	Action
1	Close the device.
2	Check electrical continuity, for each of the phases, between the upper and lower power terminals: <ul style="list-style-type: none"> <li>For fixed device: on the power terminals</li> <li>For the drawout device: on the chassis power terminals, with the device in the connected position</li> </ul>

## Check of High-Voltage Insulation

Dielectric tests (high potential and insulation resistance tests) are used to check the insulation between phases, and insulation between each phase and ground. The equipment used to conduct these tests creates a high potential voltage (thousands of volts) to check dielectric or insulation integrity.

If included in the MicroLogic X control unit, the voltage power supply (VPS) module connects and disconnects the control unit with the voltage connections in the circuit breaker.

Before conducting any high-voltage insulation tests, move the VPS module to the disconnected position and unplug any cables from the mini USB port on the front face of the MicroLogic X control unit. For information on VPS disconnection, consult the instruction sheet on the Schneider Electric website: [NVE40741](#).

### ⚠ CAUTION

#### DETERIORATION OF VPS MODULE

Disconnect the VPS module by pulling it out to the disconnected position before running a dielectric test on the equipment.

**Failure to follow these instructions can result in injury or equipment damage.**

Follow this procedure to check insulation resistance and record the results on the test form.

Step	Action
1	Disconnect the VPS module and unplug any cables from the mini USB port on the front face of the MicroLogic X control unit.
2	Close the MasterPacT MTZ device.
3	Measure the insulation resistance using a 500 Vdc insulation resistance tester between one of the phases and the other two phases grounded. Repeat for each phase.
4	Open the MasterPacT MTZ device by pressing the opening pushbutton.
5	Measure the insulation resistance using a 500 Vdc insulation resistance tester between one of the phases and ground, with all other phases grounded. Repeat for each phase.
6	Check that the insulation resistance is above 5 MΩ in each case. If this result is not obtained, contact your Schneider Electric Services representative.

## Check of MicroLogic X Internal Battery

Follow this procedure to check the functioning of the MicroLogic X internal battery.

Step	Action
1	Press and hold the Test/Reset button for less than 3 seconds to test the internal battery.
2	<p>Check that the four trip cause LEDs switch off for one second, and then switch on for two seconds.</p> <p>If the four trip cause LEDs:</p> <ul style="list-style-type: none"> <li>Flash sequentially for two seconds: the battery is near the end of its life. Replace the battery.</li> </ul> <p>For information about internal battery replacement and installation, consult the instruction sheet on the Schneider Electric website: <a href="#">NHA57283</a>.</p> <ul style="list-style-type: none"> <li>Do not light: check that the battery strip has been removed. If it has, replace the battery.</li> </ul> <p>If the battery strip has not been removed, remove it as indicated in the circuit breaker instruction sheet. Refer to <b>Related Documents</b> at the beginning of this guide.</p>

## Check of MicroLogic X Ready LED Status

Follow this procedure to check the functioning of the MicroLogic X control unit and record the results on the test form.

Step	Action
1	Provide power to the MicroLogic X control unit, for example, by connecting a PC or Mobile Power Pack to the mini USB port on the front face.
2	Check that the MicroLogic X <b>Ready</b> LED is flashing green.  The <b>Ready</b> LED flashes green to indicate that: <ul style="list-style-type: none"> <li>• The sensors are correctly wired.</li> <li>• The tripping mechanism is functioning correctly.</li> <li>• The MicroLogic X control unit is functioning correctly.</li> </ul>
3	If the <b>Ready</b> LED is not flashing green, refer to part Critical Cases, page 123.

## Test of the Tripping Mechanism With EcoStruxure Power Commission Software

Follow this procedure to test the tripping mechanism of the circuit breaker and record the results on the test form.

Step	Action
1	Close the circuit breaker.
2	Connect a PC running EcoStruxure Power Commission software by using a cable to the mini USB port on the front face of the MicroLogic X control unit.
3	On EcoStruxure Power Commission software, select the circuit breaker and connect to it.
4	Force the circuit breaker to trip by clicking the <b>Force Trip</b> button on the EcoStruxure Power Commission screen. This action is password-protected.
5	Check that the circuit breaker is open.
6	Check that the blue fault-trip reset button has popped out.
7	Check that the Isd/li LED is on.
8	Check that the SDE contacts have switched.
9	After the test, reset the circuit breaker.

## Test of the Tripping Mechanism with the Test Button (MicroLogic 6.0 X and 7.0 X Control Units)

Follow this procedure to test the tripping mechanism of the circuit breaker when fitted with a MicroLogic 6.0 X or 7.0 X control unit, and record the results on the test form.

Step	Action
1	Close the circuit breaker.
2	Use a thin screwdriver to briefly push in (<1 s) the test button on the control unit.
3	Check that the circuit breaker is open.
4	Check that the blue fault-trip reset button has popped out.
5	Check that the Ig/IΔn LED is on.



Step	Action
6	Check that the SDE contacts have switched.
7	After the test, reset the circuit breaker.

## Automatic Trip Curve Test With EcoStruxure Power Commission Software

Follow this procedure to run the automatic trip curve test and record the results on the test form.

Step	Action
1	Close the circuit breaker.
2	If the device is equipped with an MN undervoltage release, either connect it to the power supply with its rated voltage or remove the MN undervoltage release.
3	Connect a PC running EcoStruxure Power Commission software by using a cable to the mini USB port on the front face of the MicroLogic X control unit.
4	On EcoStruxure Power Commission software, select the circuit breaker and connect to it.
5	In the <b>Device Check up</b> section, click the <b>Device</b> tab.
6	Select the <b>Automatic Trip Test</b> section.
7	Select <b>Preconfigured test point</b> .
8	Select the overcurrent protection to be tested.
9	Click <b>Run Test</b> .
10	Check that the circuit breaker trips.
11	Check that the blue fault-trip reset button has popped out
12	Check that the related trip cause LED is lit.
13	Check the SDE contacts have switched.
14	After the test, reset the circuit breaker.

## Communication Tests

### Communication Network Test

EcoStruxure Power Commission software can be used to test the communication network between all the communicating devices of the project:

- Circuit breakers connected to the Ethernet network through an IFE or EIFE Ethernet interface.
- Circuit breakers connected to a Modbus serial line network through an IFM interface stacked to an IFE Ethernet interface.
- Circuit breakers connected to a Modbus serial line network from an IFM interface.

Step	Action
1	Connect a PC running EcoStruxure Power Commission software by using an RJ45 cable to a communication network, on the IFE or EIFE Ethernet interface, or IFM interface, for example.
2	In EcoStruxure Power Commission software, at <b>Create report &gt; Communication test &amp; report</b> , select devices to be tested from the list of communicating devices defined in the project.
3	Click <b>Run test</b> . All selected devices are tested.
4	Results are displayed at the end of the test.
5	Generate the communication test report with EcoStruxure Power Commission software, and save or print the project report as needed.

### Remote Control Tests

If the MasterPacT MTZ circuit breakers can be opened and closed remotely through the communication network, use the following tests to check for the correct operation of remote control:

Step	Action
1	Connect a PC running EcoStruxure Power Commission software by using an RJ45 cable to a communication network, on the IFE or EIFE Ethernet interface, or IFM interface, for example.
2	Check that the control mode is set to Auto: Remote.
3	In EcoStruxure Power Commission software, select the circuit breaker and connect to it.
4	Click the <b>Device</b> tab to access the <b>Open</b> and <b>Close</b> buttons.
5	Check that it is possible to open and close the MasterPacT MTZ device remotely. These actions are password-protected.

# Final Checks and Reporting

## Final Checks

After completing the commissioning tests, check the following:

Step	Action
1	Check that connections are made with the correct tightening torque, that there are no tools or objects inside the equipment, and that all devices, doors, and protective covers are in position.
2	Check that the device is off (open position) and the closing spring is charged.

## Project Report Generated by EcoStruxure Power Commission Software

EcoStruxure Power Commission software generates a project report with a list of the circuit breakers for that project. For each MasterPacT MTZ circuit breaker it provides the following information:

- The circuit breaker identification data
- The MicroLogic X identification data, including the list of Digital Modules installed
- The list of accessories including internal accessories (for example, M2C programmable contacts), and external modules (for example, IO module)
- The protection settings for the MicroLogic X control unit
- The alarm settings
- The IFE, EIFE, or IFM communication interface settings

## Communication Test Report Generated by EcoStruxure Power Commission Software

EcoStruxure Power Commission software performs a communication test and generates a report of the test. For each communicating device it provides the following information:

- The name and type of the device
- The type of communication
- The address of the device
- The status of the connection

# MasterPacT MTZ Test Form

## How to Use the Test Form

Print this test form to record the results of the commissioning tests.

Check the box (✓) when the test has been made and is conclusive.

This test form, the project report, and the communication test report should be left on-site in a plastic wallet and in an easily accessible, safe place.

Each test is described in detail in the Commissioning part.

Only do the tests required, depending on the MasterPacT MTZ type and the functions in use.

When all the tests have been satisfactorily completed, sign and date the test form.

## Identification

<b>Workstation</b>		<b>Tests conducted on:</b>	<b>By:</b>
			<b>Signature:</b>
Substation name		<b>Comments:</b>	
Substation number			
Switchboard name			
Voltage			
<b>MasterPacT MTZ device</b>			
Manufacturer		Schneider Electric	
Type of MasterPacT MTZ device			
Serial number			
Hardware version			
<b>MicroLogic X control unit</b>			
MicroLogic X type		CT ratio	
Firmware version			

## Preliminary Checks

<b>Type of check</b>	(✓)
Visual inspection satisfactory (for example, no visible signs of damage).	
Grounding satisfactory.	
Connection tightness checked.	
Firmware compatibility satisfactory.	

<b>Type of check</b>	(✓)
MicroLogic X settings applied.	
Project report generated.	

## Functional and Interlock Checks

<b>Type of check</b>	(✓)
Mechanism charges when spring charging handle is pulled.	
MasterPacT MTZ device closes.	
MasterPacT MTZ device opens.	
Mechanism charges automatically after closing when the device is fitted with an MCH gear motor.	
M2C programmable contacts function correctly.	
IO module functions correctly.	
FDM121 display functions correctly.	
ESM ERMS switch module functions correctly.	
Interlocking systems of the circuit breaker function correctly.	
Interlocking systems between two or three circuit breakers function correctly.	

## Electrical Continuity Check

MasterPacT MTZ device status	Tested terminals		Electrical continuity
	Incoming side	Outgoing side	
Closed	L1	L1	Ω
Closed	L2	L2	Ω
Closed	L3	L3	Ω

## MasterPacT MTZ Insulation Test

MasterPacT MTZ device status	Terminals under test	Voltage	Insulation resistance
Closed	L1, with L2 and L3 grounded	500 Vdc	MΩ
Closed	L2, with L1 and L3 grounded	500 Vdc	MΩ
Closed	L3, with L1 and L2 grounded	500 Vdc	MΩ
Open	L1, with L1, L2, L3 grounded on the other side	500 Vdc	MΩ
Open	L2, with L1, L2, L3 grounded on the other side	500 Vdc	MΩ
Open	L3, with L1, L2, L3 grounded on the other side	500 Vdc	MΩ

## Check of MicroLogic X Ready LED

Type of check	(✓)
MicroLogic X Ready LED flashes green.	

## Test of the Tripping Mechanism for MicroLogic X Control Units

Type of check	(✓)
With the circuit breaker closed, force the circuit breaker to trip using EcoStruxure Power Commission software.	
Check that the circuit breaker is open.	
Check that the blue fault-trip reset button has popped out.	
Check that the Isd/Ii LED is on.	
Check that the SDE contacts have switched.	

## Test of the Tripping Mechanism for MicroLogic 6.0 X and 7.0 X Control Units

Type of check	(✓)
With the circuit breaker closed, briefly press (<1 s) the test button on the front face of the control unit.	
Check that the circuit breaker is open.	
Check that the blue fault-trip reset button has popped out.	
Check that the Ig/IΔn LED is on.	
Check that the SDE contacts have switched.	

## Automatic Trip Curve Test

Type of check	(✓)
Check that the circuit breaker trips.	
Check that the blue fault-trip reset button has popped out.	
Check that the related trip cause LED is on.	
Check that the SDE contacts have switched.	

## Communication Tests

Type of check	(✓)
Communication network tested.	
Communication test report generated.	
Remote opening and closing tested.	

## Final Checks

Type of check	(✓)
All doors and protected covers are in position.	
The device is off (open position) and the closing spring is charged.	

---

# MasterPacT MTZ Troubleshooting

## What's in This Part

Introduction to Troubleshooting .....	161
Troubleshooting: Chassis Operation .....	164
Troubleshooting: Unexpected Tripping .....	165
Troubleshooting: Mechanical Control Operations .....	167
Troubleshooting: Electrical Control Operations .....	169
Troubleshooting: Control Operations from EcoStruxure Power Device App .....	171
Troubleshooting: Control Operations from IO Module .....	173
Troubleshooting: Control Operations from FDM121 Display.....	175
Troubleshooting: Control Operations from EcoStruxure Power Commission Software .....	177
Troubleshooting: Control Operations from IFE/EIFE Webpages .....	179
Troubleshooting: Control Operations from Communication Network .....	181
Troubleshooting: Control Operations from FDM128 Display.....	183



# Introduction to Troubleshooting

## Presentation

This part contains information for troubleshooting problems in a working system. It assumes that the system is correctly installed and that all the commissioning tests have been completed successfully. The troubleshooting operations are described under the following headings:

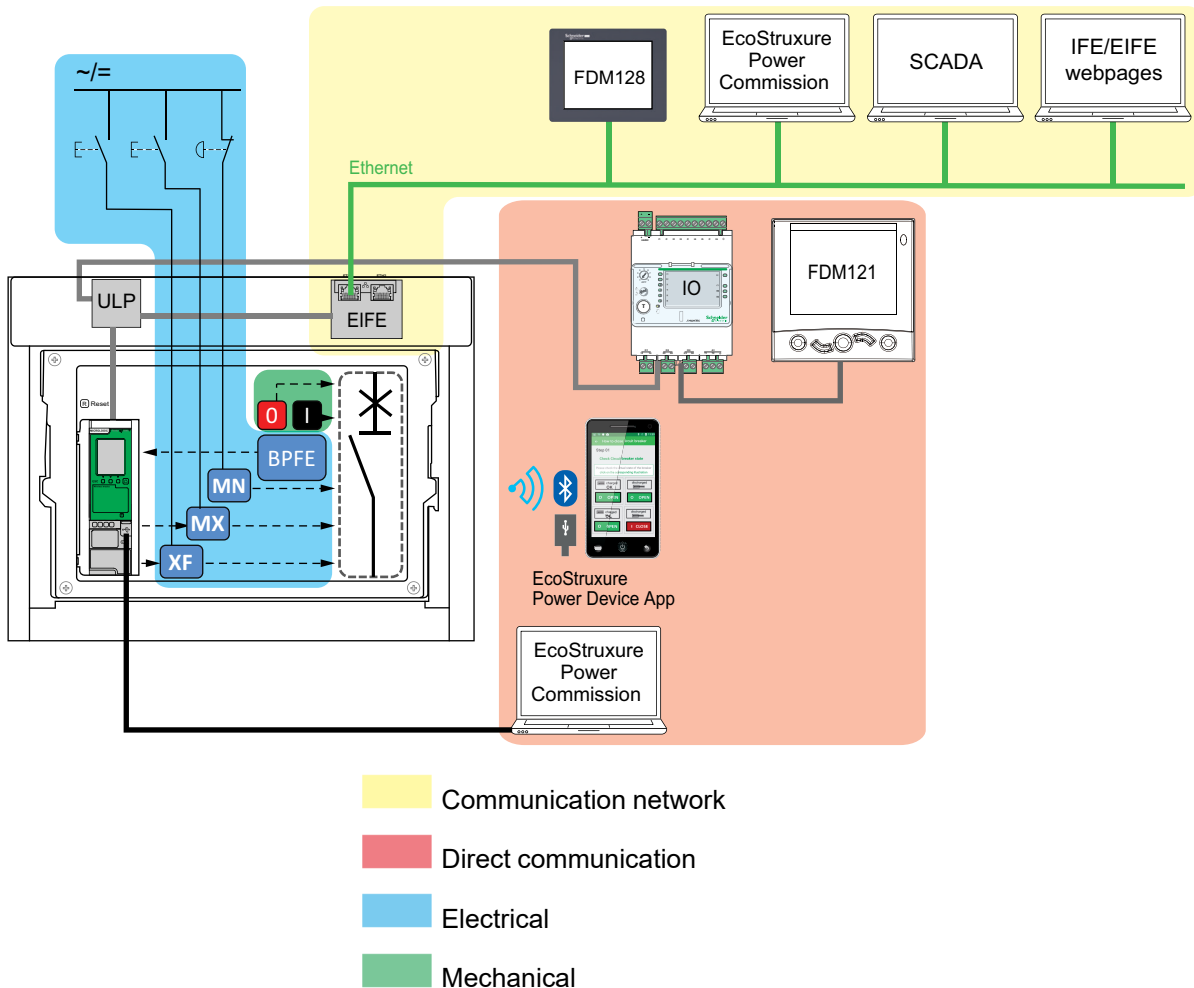
- Chassis operation
- Unexpected tripping
- Mechanical control operations
- Electrical control operations
- Control operations from EcoStruxure Power Device app
- Control operations from IO module
- Control operations from EcoStruxure Power Commission software
- Control operations from IFE/EIFE webpages
- Control operations from communication network
- Control operations from FDM128 display

## Layer Model

When troubleshooting the device, it is useful to consider a layer model. There are four layers:

- Communication network
- Direct connection
- Electrical
- Mechanical

The following diagram shows the layers in the device:



If the troubleshooting actions for a layer are not successful, go to the next layer until you reach the Mechanical layer. If you cannot solve the problem after troubleshooting the Mechanical layer, contact your Schneider Electric Services representative.

## Troubleshooting with Assistance

Assistance for troubleshooting is provided by the MasterPacT Operation Assistant Digital Module.

The MasterPacT Operation Assistant Digital Module helps to close a circuit breaker after a trip or an opening.

The following features are available:

- Ready-to-close status
- Reset (if applicable)

- Spring charging (if applicable)
- Diagnostics on related reclosing information, for example, no power supply to MX opening voltage release, MN undervoltage release, or MCH gear motor

For more information about downloading Digital Modules, refer to DOCA0102•• *MasterPacT MTZ – MicroLogic X Control Unit – User Guide* in **Related Documents** at the beginning of this guide.

## Maintenance of the Device

Schneider Electric recommends a preventive maintenance program to ensure that devices retain the operating and technical characteristics specified in the catalogs during their service life. Maintenance must be carried out by trained and qualified personnel.

For information about the preventive maintenance program and maintenance procedures, refer to DOCA0099•• *MasterPacT MTZ - IEC Circuit Breakers with MicroLogic X Control Unit and Switch-Disconnectors - Maintenance Guide* in **Related Documents** at the beginning of this guide.

# Troubleshooting: Chassis Operation

## Definition

Chassis operation includes the following:

- Racking in and racking out the drawout device
- Locking and unlocking the chassis

## Troubleshooting

Problem description	Probable causes	Solutions
Impossible to insert the racking handle in connected, test, or disconnected position.	A padlock or keylock is present on the chassis or a door interlock is present.	Disable the locking function.
Impossible to turn the racking handle.	The position release button is not pushed in and so the racking handle cannot be rotated.	Push the position release button.
Device cannot be removed from chassis.	Device is not in the disconnected position.	Turn the racking handle until the device is in the disconnected position and the position release button pops out.
	Rails are not completely extended.	Pull out the rails of the chassis.
Device cannot be connected (racked in).	Chassis and device do not match (mismatch protection).	Check that the chassis corresponds with the device.
	Safety shutters are locked.	Remove the locks.
	Disconnecting contact clusters are incorrectly positioned.	Reposition the disconnecting contact clusters.
	Chassis is locked in the disconnected position.	Disable the chassis locking function.
	The position release button is not pushed in and so the racking handle cannot be rotated.	Push the position release button.
Device cannot be locked in the disconnected position.	Device has not been sufficiently inserted in the chassis.	Insert the device completely so that it is engaged in the racking mechanism.
	Device is not in the correct position.	Check the device position by checking that the position release button is popped out.
Device cannot be locked in the connected, test, or disconnected position.	Racking handle is still in the chassis.	Remove the racking handle and store it.
	Locking in any position is not enabled.	Adapt the chassis locking mechanism so that the chassis can be locked in any position.
	Device is not in the correct position.	Check the device position by checking that the position release button is out.
The racking handle cannot be inserted to connect or disconnected the device.	Racking handle is still in the chassis.	Remove the racking handle and store it.
	Rails are not completely in.	Push the rails all the way in.
The right-hand rail (chassis alone) or the device cannot be drawn out.	Racking handle is still in the chassis.	Remove the racking handle and store it.

# Troubleshooting: Unexpected Tripping

## Definition

Unexpected tripping is tripping that is not caused by a protection function during normal operation or by tests.

## Troubleshooting

Problem description	Symptom	Probable causes	Solutions
Device opened without any over-current electrical fault.	The blue fault-trip reset button is not popped out and no trip cause LED is lit.	Drop in voltage to below the threshold detected by MN undervoltage release.	Check the voltage and the MN supply circuit ( $V > 0.85 U_n$ ).
		An order (for example load-shedding) sent to the MX opening voltage release by another device.	Check the parameters of the device that sent the order.
		Unnecessary opening order from the MX opening voltage release.	Determine the origin of the order and cancel it.
Device trips in a shorter time than expected after attempt to close the device.	The blue fault-trip reset button is popped out and the Ir LED is lit.	Thermal memory is still active and current on the line is above the Ir threshold.	Check whether there is still an overload on the line. If necessary, make a correction. For details of thermal memory, refer to DOCA0102•• <i>MasterPacT MTZ – MicroLogic X Control Unit – User Guide</i> in <b>Related Documents</b> at the beginning of this guide.
	The blue fault-trip reset button is popped out, the Ir or Isd LED is lit, and the ERMS LED is lit.	ERMS is active so device opens at lower protection settings.	The ERMS function applies reduced protection settings for use during maintenance. Check whether maintenance is in progress. If ERMS is no longer necessary, disengage it to revert to normal protection settings.
	–	The tripping curves (A or B) have been modified, or the control unit is not set to the usual set of tripping curves (A or B).	This might be a change in intended behavior so not a problem. Check the tripping curve definitions are describing the intended behavior. Modify the definitions if necessary.
Immediate tripping after an attempt to close the device.	The blue fault-trip reset button is popped out and the Ir LED is lit.	Transient overcurrent when closing.	<ul style="list-style-type: none"> <li>Modify the distribution system or the control unit settings.</li> <li>Check the condition of the device before putting it back into service.</li> </ul>
Immediate tripping after an attempt to close the device with activation of the blue fault-trip reset button.	–	Closing on a short-circuit.	Refer to MasterPacT MTZ critical cases.
Nuisance tripping of the device with activation of the blue fault-trip reset button.	–	Blue fault-trip reset button is not pushed-in completely.	Push in the blue fault-trip reset button completely.



Problem description	Symptom	Probable causes	Solutions
	–	Transient overcurrent detected on the line and fast instantaneous trip setting is active in EcoStruxure Power Commission software.	Intended behavior. If necessary, adjust the settings in EcoStruxure Power Commission software.

# Troubleshooting: Mechanical Control Operations

## Definition

Mechanical control operations are operations that are made using the opening or closing pushbuttons.

## Device Cannot be Closed by Using the Mechanical Closing Pushbutton

Symptom	Probable causes	Solutions
The blue fault-trip reset button is popped out.	The blue fault-trip reset button has not been reset.	<ul style="list-style-type: none"> <li>Clear the fault.</li> <li>Push the blue fault-trip reset button.</li> </ul>
–	Device is padlocked or keylocked in the open position.	Unlock the device.
–	Device is interlocked mechanically in a mechanical interlocking system.	<ul style="list-style-type: none"> <li>Check the position of the other device in the changeover system.</li> <li>Modify the situation to release the interlock.</li> </ul>
The closing spring and ready-to-close indicator shows that the mechanism is discharged. 	Stored energy mechanism is not charged.	<ul style="list-style-type: none"> <li>Charge the mechanism manually.</li> <li>If the device is equipped with an MCH gear motor, check the supply of power to the motor. If the problem persists, replace the MCH gear motor.</li> </ul>
The closing spring and ready-to-close indicator shows that the mechanism is charged but the device is not ready to close. 	MX opening voltage release is permanently powered.	As there is an opening order, determine the origin of the order. The order must be canceled before the device can be closed.
	MN undervoltage release is not powered due to an opening order.	As there is an opening order, determine the origin of the order. The order must be canceled before the device can be closed.
	MN undervoltage release is not powered due to insufficient voltage power supply.	Check the voltage and the MN supply circuit ( $V > 0.85 U_n$ ). If the problem persists, replace the MN undervoltage release.
Recurring undervoltage trip.	The measured voltage remains at 0 V.	Set the undervoltage behavior parameter, $V_{min}$ behavior, to <b>Force to Off when CB is open</b> . For more information, refer to DOCA0102•• <i>MasterPacT MTZ – MicroLogic X Control Unit – User Guide</i> in <b>Related Documents</b> at the beginning of this guide.
The position release button on the chassis of the drawout device is pushed in.	Device is not correctly connected.	Terminate racking in (connection) of the device, making sure that it is fully inserted in the chassis, to the connected position. Check that the position release button is popped out.

## Device Cannot be Opened by Using the Mechanical Opening Pushbutton

Probable causes	Solutions
Operating mechanism incident or welded contacts.	Contact your Schneider Electric Services representative.



# Troubleshooting: Electrical Control Operations

## Definition


Electrical control operations are operations that are made by an electrical order through a voltage release or by an external pushbutton that is directly connected to a voltage release.

## Troubleshooting Voltage Releases

Troubleshooting depends on the type of voltage release, as follows:

- For communicating voltage releases, consult the MicroLogic X event messages and then refer to MasterPacT MTZ Critical Cases
- For standard voltage releases, follow the troubleshooting instructions given in the following tables. If the problem persists, replace the voltage release.

## Device Cannot be Closed by Using an External Pushbutton/Electrical Order

Symptom	Probable causes	Solutions
–	Device is padlocked or keylocked in the open position.	Unlock the device.
–	Electrical closing order not executed by the XF closing voltage release due to insufficient voltage power supply.	Check the voltage and the XF supply circuit (0.85–1.1 Un). If the problem persists, replace the XF closing voltage release.
The closing spring and ready-to-close indicator shows that the mechanism is charged but the device is not ready to close.  	MX opening voltage release is permanently powered.	As there is an opening order, determine the origin of the order. The order must be canceled before the device can be closed.
	MN undervoltage release is not powered due to an opening order.	As there is an opening order, determine the origin of the order. The order must be canceled before the device can be closed.
	MN undervoltage release is not powered due to insufficient voltage power supply.	Check the voltage and the MN supply circuit ( $V > 0.85 U_n$ ). If the problem persists, replace the MN undervoltage release.
–	XF closing voltage release is continuously supplied, but device was not ready-to-close when the closing order was sent (XF closing voltage release is not wired in series with PF ready-to-close contact).	<ul style="list-style-type: none"> <li>• Remove the power supply to the XF closing voltage release.</li> <li>• Only if the device is ready-to-close, send the closing order again via the XF closing voltage release.</li> </ul>

## Device Cannot be Opened by Using an External Pushbutton/Electrical Order

Probable causes	Solutions
Opening order is not executed by the MN undervoltage release.	Drop in voltage insufficient or residual voltage ( $V > 0.35 U_n$ ) across the terminals of the MN undervoltage release.  If the problem persists, replace the MN undervoltage release.
Opening order is not executed by the MX opening voltage release.	Check the voltage and the MX supply circuit ( $0.7-1.1 U_n$ ).  If the problem persists, replace the MX opening voltage release.

## Device Cannot be Reset by Using RES Electrical Remote Reset

Symptom	Probable causes	Solutions
The blue fault-trip reset button is popped out.	Insufficient supply voltage for the RES electrical remote reset.	Check the voltage and the RES supply circuit ( $0.7-1.1 U_n$ ).  If the problem persists, replace the RES electrical remote reset.

## Additional Checks

If the troubleshooting actions described above do not work, refer to the troubleshooting information for Mechanical Control Operations, page 167.

# Troubleshooting: Control Operations from EcoStruxure Power Device App

## Definition

Control operations include commands to open and close the device from the EcoStruxure Power Device app.

## Device Cannot be Controlled from the EcoStruxure Power Device App

Problem description	Symptom	Probable causes	Solutions
Device cannot be opened or closed.	–	The device control mode is set to Manual.	Change the control mode to Auto.
	–	The device control mode is set to Auto Remote.	Change the control mode to Auto Local.
	The EcoStruxure Power Device app displays a message to download the MasterPacT Operation Assistant Digital Module.	The MasterPacT Operation Assistant Digital Module is not installed.	Use EcoStruxure Power Commission software to download and install the MasterPacT Operation Assistant Digital Module in the MicroLogic X control unit.
	The EcoStruxure Power Device app displays a message indicating a firmware version mismatch.	The EcoStruxure Power Device app on the smartphone is not compatible with the firmware version of the MicroLogic X control unit.	Update the EcoStruxure Power Device app.
Device cannot be closed.	–	The close command is inhibited by the IO module.	Enable the close command by using the selector switch wired on a digital input of the IO module (I=1).
		The close command is inhibited by a command from the communication network or EcoStruxure Power Commission software.	In EcoStruxure Power Commission software, in the <b>Device Check-up &gt; Devices</b> menu, change the value of the <b>Remote Close Breaker Inhibited</b> parameter from <b>Enabled by communication</b> to <b>Disabled</b> .

## Inhibit Closing by IO Module is Not Operational

Problem description	Probable cause	Solution
Device can be closed while selector switch wired on a digital input of the IO module is set to Inhibit (I4=0).	The MicroLogic X setting <b>Breaker closing by digital input</b> is disabled.	In EcoStruxure Power Commission software, in the <b>General</b> menu, in <b>Breaker Closing Inhibition</b> , change the value of the <b>Allow control by a digital input</b> parameter to <b>Enable</b> .

## Device Cannot be Controlled from the EcoStruxure Power Device App Connected Through Bluetooth

Problem description	Probable causes	Solutions
The Bluetooth LED does not light up when you press the Bluetooth activation pushbutton on the MicroLogic X control unit.	The Bluetooth function is not enabled in the MicroLogic X control unit.	Enable Bluetooth communication in the MicroLogic X control unit.
	The MicroLogic X control unit is not powered.	Check the power supply of the MicroLogic X control unit.
The Bluetooth connection was established but the signal is lost.	The smartphone has been moved out of range.	Place the smartphone within the range for Bluetooth and establish a new connection.
The Bluetooth LED is blinking on the control unit but you cannot see its ID number in the list of devices available.	A smartphone is already connected to the MicroLogic X control unit.	Check whether another smartphone within range is also connected to the control unit.

### Additional Checks

If the troubleshooting actions described above do not work, the problem might be in the mechanical or electrical operations of the device. Refer to the troubleshooting information for Mechanical Control Operations, page 167 and Electrical Control Operations, page 169.

# Troubleshooting: Control Operations from IO Module

## Definition

Control operations include commands to open and close the device from the IO module with the Breaker Operation predefined application.

For information about control operations from the IO module, refer to DOCA0055•• *Enerlin'X IO – Input/Output Application Module for One IEC Circuit Breaker – User Guide* in **Related Documents** at the beginning of this guide.

## Device Cannot be Controlled from the IO Module

Problem description	Symptom	Probable causes	Solutions
Device cannot be opened or closed.	–	The IO module is not configured for Breaker Operation predefined application 2.	Configure the IO module for Breaker Operation predefined application 2, by using the rotary switch and pressing the Test/Reset button for 5 seconds to validate the configuration.
	–	The device control mode is set to Manual.	Change the control mode to Auto.
	Local open or close orders wired on digital inputs I5 or I6 do not control the device.	The device control mode is set to Remote.	Change the control mode to Local by using the control mode selector switch wired on the digital input I1 of the IO module (I1=0).
	Remote open or close orders wired on digital inputs I2 or I3 do not control the device.	The device control mode is set to Local.	Change the control mode to Remote by using the control mode selector switch wired on the digital input I1 of the IO module (I1=1).
Device cannot be closed.	–	The close command is inhibited by the IO module configured in the Breaker Operation predefined application 2.	Enable the close command by using the selector switch wired on the digital input I4 of the IO module (I4=1).
	–	The close command is inhibited by a command from the communication network or EcoStruxure Power Commission software.	In EcoStruxure Power Commission software, in the <b>Device Check-up &gt; Devices</b> menu, change the value of the <b>Remote Close Breaker Inhibited</b> parameter from <b>Enabled by communication</b> to <b>Disabled</b> .

## Inhibit Closing by IO Module is Not Operational

Problem description	Probable cause	Solution
Device can be closed while selector switch wired on a digital input of the IO module is set to Inhibit (I4=0).	The MicroLogic X setting <b>Breaker closing by digital input</b> is disabled.	In EcoStruxure Power Commission software, in the <b>General</b> menu, in <b>Breaker Closing Inhibition</b> , change the value of the <b>Allow control by a digital input</b> parameter to <b>Enable</b> .

## Additional Checks

If the troubleshooting actions described above do not work, the problem might be in the mechanical or electrical operations of the device. Refer to the troubleshooting information for Mechanical Control Operations, page 167 and Electrical Control Operations, page 169.

# Troubleshooting: Control Operations from FDM121 Display

## Definition

Control operations include commands to open and close the device from the FDM121 display.

For information about control operations from the FDM121 display, refer to DOCA0088•• *Enerlin'X FDM121 – Front Display Module for One Circuit Breaker – User Guide* in **Related Documents** at the beginning of this guide.

## Device Cannot be Controlled from the FDM121 Display

Problem description	Symptom	Probable causes	Solutions
The FDM121 display does not display any data when connected to the MicroLogic X control unit.	The FDM121 display screen blinks continuously, indicating a conflict in the IMU.	The FDM121 firmware version is not compatible with the MicroLogic X control unit.	<ol style="list-style-type: none"> <li>1. Remove the MasterPacT device from the IMU in which the FDM121 display is installed.</li> <li>2. Update the FDM121 firmware to the last firmware version, 004.000.009 or later, by using EcoStruxure Power Commission software.</li> <li>3. Connect the MasterPacT device in the IMU again.</li> </ol> <p>For more information about updating the firmware, see DOCA0150•• <i>Enerlin'X FDM121 - Front Display Module for One Circuit Breaker - Firmware Release Notes</i> in <b>Related Documents</b> at the beginning of this guide.</p>
Device cannot be opened or closed.	–	The device control mode is set to Manual.	Change the control mode to Auto.
	–	The device control mode is set to Auto Remote.	Change the control mode to Auto Local.
Device cannot be closed.	–	The close command is inhibited by the IO module.	Enable the close command by using the selector switch wired on a digital input of the IO module (I=1).

Problem description	Symptom	Probable causes	Solutions
		The close command is inhibited by a command from the communication network or EcoStruxure Power Commission software.	In EcoStruxure Power Commission software, in the <b>Device Check-up &gt; Devices</b> menu, change the value of the <b>Remote Close Breaker Inhibited</b> parameter from <b>Enabled by communication</b> to <b>Disabled</b> .

## Inhibit Closing by IO Module is Not Operational

Problem description	Probable cause	Solution
Device can be closed while selector switch wired on a digital input of the IO module is set to Inhibit (I4=0).	The MicroLogic X setting <b>Breaker closing by digital input</b> is disabled.	In EcoStruxure Power Commission software, in the <b>General</b> menu, in <b>Breaker Closing Inhibition</b> , change the value of the <b>Allow control by a digital input</b> parameter to <b>Enable</b> .

## Additional Checks

If the troubleshooting actions described above do not work, the problem might be in the mechanical or electrical operations of the device. Refer to the troubleshooting information for **Mechanical Control Operations**, page 167 and **Electrical Control Operations**, page 169.



# Troubleshooting: Control Operations from EcoStruxure Power Commission Software

## Definition

Control operations include commands to open and close the device from EcoStruxure Power Commission software.

## Device Cannot be Controlled from EcoStruxure Power Commission Software Connected to a Mini USB Port

Problem description	Symptom	Probable causes	Solutions
Device cannot be opened or closed.	EcoStruxure Power Commission message:  <b>Breaker operation not successful: actuator is in manual mode. Remote breaker commands are not allowed</b>	The device control mode is set to Manual.	Change the control mode to Auto.
	EcoStruxure Power Commission message:  <b>Breaker operation not successful: Operation mode is Remote</b>	The device control mode is set to Auto Remote.	Change the control mode to Auto Local.
	EcoStruxure Power Commission software does not display the relevant option.	Insufficient access rights.	Log in to EcoStruxure Power Commission software with Administrator rights.
	EcoStruxure Power Commission message:  <b>Insufficient user rights (incorrect password)</b>	The password is incorrect: error entering password or the user has insufficient access rights.	Enter the password again.  In the case of insufficient access rights, check the password validity with the system administrator.
Device cannot be closed.	EcoStruxure Power Commission message:  <b>Breaker operation not successful: The requested action is not allowed as it has been previously inhibited</b>	The close command is inhibited by the IO.	Enable the close command by using the selector switch wired on a digital input of the IO module (I=1).
		The close command is inhibited by a command from the communication network or EcoStruxure Power Commission software.	In EcoStruxure Power Commission software, in the <b>Device Check-up &gt; Devices</b> menu, change the value of the <b>Remote Close Breaker Inhibited</b> parameter from <b>Enabled by communication</b> to <b>Disabled</b> .

## Inhibit Closing by IO Module is Not Operational

Problem description	Probable cause	Solution
Device can be closed while selector switch wired on a digital input of the IO module is set to Inhibit (I4=0).	The MicroLogic X setting <b>Breaker closing by digital input</b> is disabled.	In EcoStruxure Power Commission software, in the <b>General</b> menu, in <b>Breaker Closing Inhibition</b> , change the value of the <b>Allow control by a digital input</b> parameter to <b>Enable</b> .

## Device Cannot be Controlled from EcoStruxure Power Commission Software Connected by IFE, EIFE, or IFM Interface

Symptom	Probable causes	Solutions
EcoStruxure Power Commission message:  <b>Breaker operation not successful: Either device is unable to execute the operation or communication interface is locked</b>	The remote control commands are disabled by the locking pad on the front of the IFE interface.	Move the locking pad on the front of the IFE interface to the Unlocked position.
	The EIFE interface is locked by EcoStruxure Power Commission software.	In EcoStruxure Power Commission software, in the <b>Configure &gt; Communication</b> menu, change the value of the <b>Remote Padlock Position</b> parameter from <b>Locked</b> to <b>Unlocked</b> .
EcoStruxure Power Commission message:  <b>Breaker operation not successful: actuator is in manual mode. Remote breaker commands are not allowed</b>	The device control mode is set to Manual.	Change the control mode to Auto.
EcoStruxure Power Commission software does not display the relevant option.	Insufficient access rights.	Log in to EcoStruxure Power Commission software with Administrator rights.
EcoStruxure Power Commission message:  <b>Breaker operation is not successful: Operation mode is Local (Operation via remote control is not allowed)</b>	The device control mode is set to Auto Local.	Change the control mode to Auto Remote.
EcoStruxure Power Commission message:  <b>Insufficient user rights: Incorrect password</b>	The password is incorrect: error entering password or the user has insufficient access rights.	Enter the password again.  In the case of insufficient access rights, check the password validity with the system administrator.

## Additional Checks

If the troubleshooting actions described above do not work, the problem might be in the mechanical or electrical operations of the device. Refer to the troubleshooting information for Mechanical Control Operations, page 167 and Electrical Control Operations, page 169.

# Troubleshooting: Control Operations from IFE/EIFE Webpages

## Definition

Control operations include commands to open and close the device from IFE or EIFE webpages.

For information about control operations from IFE or EIFE webpages, refer to the following guides in **Related Documents** at the beginning of this guide:

- DOCA0084•• *Enerlin'X IFE – Ethernet Switchboard Server – User Guide*
- DOCA0142•• *Enerlin'X IFE - Ethernet Interface for One Circuit Breaker – User Guide*
- DOCA0106•• *Enerlin'X EIFE – Embedded Ethernet Interface for One MasterPacT MTZ Drawout Circuit Breaker – User Guide*

## Device Cannot be Controlled from IFE or EIFE Webpages

Problem description	Symptom	Probable causes	Solutions
Device cannot be opened or closed.	The <b>Close</b> and <b>Open</b> buttons are not displayed on the webpage.	Application control is not enabled in the IFE interface.	Enable application control by pressing the Test button on the front of the IFE interface for 10–15 s.
		The user is not logged in as Administrator.	Log in as Administrator.
	Message on webpage: <b>Breaker operation not successful: actuator is in manual mode. Remote breaker commands are not allowed</b>	The device control mode is set to Manual.	Change the control mode to Auto.
	Message on webpage: <b>Breaker operation is not successful: Operation mode is Local (Operation via remote control is not allowed).</b>	The device control mode is set to Auto Local.	Change the control mode to Auto Remote.
	Message on webpage: <b>Close has failed.</b> <b>NOTE:</b> There is no message if opening action fails.	The remote control commands are disabled by the locking pad on the front of the IFE interface.	Move the locking pad on the front of the IFE interface to the Unlocked position.
		The EIFE interface is locked by EcoStruxure Power Commission software.	In EcoStruxure Power Commission software, in the <b>Configure &gt; Communication</b> menu, change the value of the <b>Remote Padlock Position</b> parameter from <b>Locked</b> to <b>Unlocked</b> .
Device cannot be closed.	Message on webpage: <b>Close has failed.</b>	The close command is inhibited by the IO module.	Enable the close command by using the selector switch wired on a digital input of the IO module (I=1).

Problem description	Symptom	Probable causes	Solutions
		The close command is inhibited by a command from the communication network or EcoStruxure Power Commission software.	In EcoStruxure Power Commission software, in the <b>Device Check-up &gt; Devices</b> menu, change the value of the <b>Remote Close Breaker Inhibited</b> parameter from <b>Enabled by communication</b> to <b>Disabled</b> .

## Inhibit Closing by IO Module is Not Operational

Problem description	Probable cause	Solution
Device can be closed while selector switch wired on a digital input of the IO module is set to Inhibit (I4=0).	The MicroLogic X setting <b>Breaker closing by digital input</b> is disabled.	In EcoStruxure Power Commission software, in the <b>General</b> menu, in <b>Breaker Closing Inhibition</b> , change the value of the <b>Allow control by a digital input</b> parameter to <b>Enable</b> .

## Additional Checks

If the troubleshooting actions described above do not work, the problem might be in the mechanical or electrical operations of the device. Refer to the troubleshooting information for Mechanical Control Operations, page 167 and Electrical Control Operations, page 169.

# Troubleshooting: Control Operations from Communication Network

## Definition

Control operations include commands to open and close the device from the communication network.

For information about control operations from the communication network, refer to the following guides in **Related Documents** at the beginning of this guide:

- DOCA0105•• *MasterPacT MTZ – Modbus Communication – User Guide*
- DOCA0162•• *MasterPacT MTZ - IEC 61850 Communication Guide*

## Device Cannot be Controlled with a Remote Controller Connected from IFE, EIFE, or IFM Interface

Problem description	Symptom	Probable causes	Solutions
Device cannot be opened or closed.	–	The device control mode is set to Manual.	Change the control mode to Auto.
	–	The device control mode is set to Auto Local.	Change the control mode to Auto Remote.
	–	The remote control commands are disabled by the locking pad on the front of the IFE interface.	Move the locking pad on the front of the IFE interface to the Unlocked position.
	–	The EIFE interface is locked by EcoStruxure Power Commission software.	In EcoStruxure Power Commission software, in the <b>Configure &gt; Communication</b> menu, change the value of the <b>Remote Padlock Position</b> parameter from <b>Locked</b> to <b>Unlocked</b> .
	The opening or closing command is returned with Modbus error code 01.	The password in the opening or closing is incorrect or the user has insufficient access rights.	Send the opening or closing command with a valid password.  In the case of insufficient access rights, check the password validity with the system administrator.  If the password is lost, refer to DOCA0105•• <i>MasterPacT MTZ – Modbus Communication – User Guide</i> in <b>Related Documents</b> at the beginning of this guide.
Device cannot be closed.	–	The close command is inhibited by the IO module.	Enable the close command by using a selector switch wired on a digital input of the IO module (I=1).

Problem description	Symptom	Probable causes	Solutions
		The close command is inhibited by a command from the communication network or EcoStruxure Power Commission software.	Use the <b>Set Close Breaker Inhibition</b> command to enable the close order.

## Inhibit Closing by IO Module is Not Operational

Problem description	Probable cause	Solution
Device can be closed while selector switch wired on a digital input of the IO module is set to Inhibit (I4=0).	The MicroLogic X setting <b>Breaker closing by digital input</b> is disabled.	In EcoStruxure Power Commission software, in the <b>General</b> menu, in <b>Breaker Closing Inhibition</b> , change the value of the <b>Allow control by a digital input</b> parameter to <b>Enable</b> .

## Additional Checks

If the troubleshooting actions described above do not work, the problem might be in the mechanical or electrical operations of the device. Refer to the troubleshooting information for [Mechanical Control Operations](#), page 167 and [Electrical Control Operations](#), page 169.

# Troubleshooting: Control Operations from FDM128 Display

## Definition

Control operations include commands to open and close the device from the FDM128 display.

For information about control operations from the FDM128 display, refer to DOCA0037•• *Enerlin'X FDM128 – Ethernet Display for Eight Devices – User Guide* in **Related Documents** at the beginning of this guide.

## Device Cannot be Controlled from the FDM128 Display

Symptom	Probable causes	Solutions
On FDM128 display, in the <b>Device</b> view, the <b>Control</b> submenu is grayed out.	You are not logged in as Administrator.	Log in to the FDM128 display as Administrator.
	The password is incorrect: error entering password or the user has insufficient access rights.	Enter a valid password.  In the case of insufficient access rights, check the password validity with the system administrator.

## Additional Checks

If the troubleshooting actions described above do not work, the problem might be linked to the communication network. Refer to the troubleshooting information for the communication network, page 181.







Schneider Electric  
35 rue Joseph Monier  
92500 Rueil Malmaison  
France

+ 33 (0) 1 41 29 70 00

[www.se.com](http://www.se.com)

As standards, specifications, and design change from time to time,  
please ask for confirmation of the information given in this publication.

© 2023 Schneider Electric. All rights reserved.

DOCA0101EN-08