

Modicon LMC058

Motion controller



Modicon

Discover [Modicon](#)

Edge control for Industrial IoT

Modicon IIoT-native edge controllers manage complex interfaces across assets and devices or directly into the cloud, with embedded safety and cybersecurity. Modicon provides performance and scalability for a wide range of industrial applications up to high-performance multi-axis machines and high-available redundant processes.

Explore our offer

- [Modicon HVAC Controllers](#)
- [Modicon PLC](#)
- [Modicon Motion Controllers](#)
- [Modicon PAC](#)
- [Modicon I/O](#)
- [Modicon Networking](#)
- [Modicon Power Supply](#)
- [Modicon Wiring](#)
- [Modicon Safety](#)

Life Is On



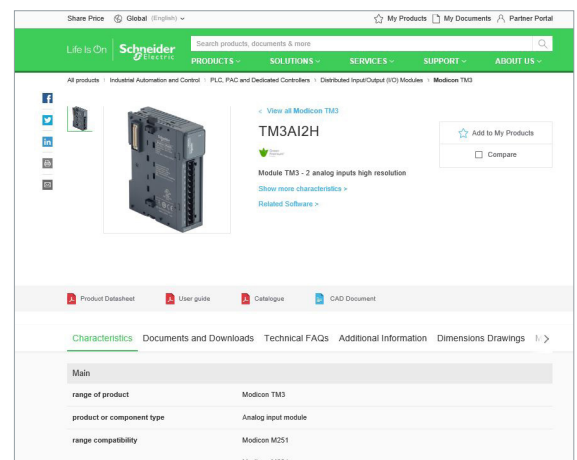
Quick access to product information

Get technical information about your product

References

Modicon TM3
I/O expansion modules for Modicon controllers
Analog I/O modules

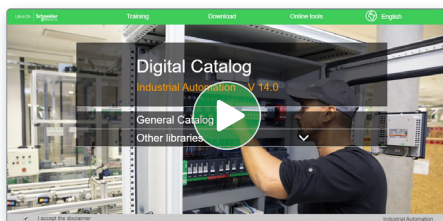
Number and type of channels	Input range	Resolution	Aperture time (typical)	Reference	Weight (kg)
2 voltage/current inputs	-15...+10 VDC 0...20 mA A, 20 mA	16,000 or 10,000 1/2	0.005 s 0.005 s	TM3AI2H TM3AI2HG	0.110 0.100
4 voltage/current inputs	-15...+10 VDC 0...20 mA A, 20 mA	12,000 or 10,000 1/2	0.005 s 0.005 s	TM3AI4 TM3AI4G	0.100 0.090
4 voltage/current or temperature inputs (T)	-15...+10 VDC 0...20 mA A, 20 mA	16,000 or 10,000 1/2	0.005 s 0.005 s	TM3AI4T TM3AI4TG	0.110 0.100
4 differential temperature inputs (T)	0...100 °C 0...100 °C	16,000 or 10,000 1/2	0.005 s 0.005 s	TM3AI4T TM3AI4TG	0.110 0.100
4 differential temperature inputs (T)	0...100 °C 0...100 °C	16,000 or 10,000 1/2	0.005 s 0.005 s	TM3AI4T TM3AI4TG	0.110 0.100
8 self-diagnosing	-15...+10 VDC	12,000 or 10,000 1/2	0.005 s 0.005 s	TM3AI8 TM3AI8G	0.110 0.100



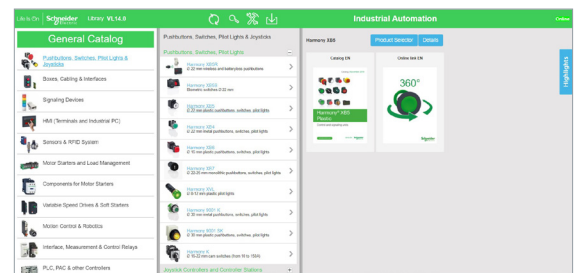
Each commercial reference presented in a catalog contains a hyperlink. Click on it to obtain the technical information of the product:

- Characteristics, Dimensions and drawings, Mounting and clearance, Connections and schemas, Performance curves
- Product image, Instruction sheet, User guide, Product certifications, End of life manual

Find your catalog



- > With just 3 clicks, you can access the Industrial Automation and Control catalogs, in both English and French
- > Consult digital automation catalogs at [Digi-Cat Online](#)

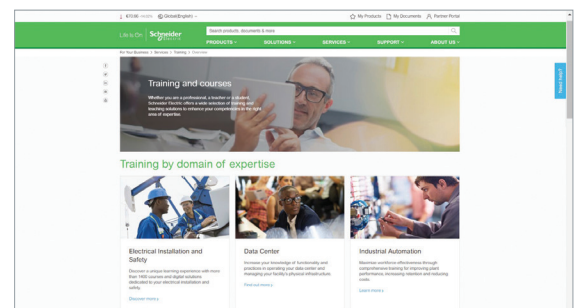


- Up-to-date catalogs
- Embedded product selectors, 360° pictures
- Optimized search by commercial references

Select your training



- > Find the right [Training](#) for your needs on our Global website
- > Locate the training center with the selector tool, using this [link](#)

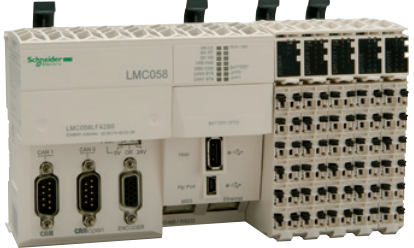



General content

Modicon LMC058 Motion controller

■ Motion controllers

□ Selection guide	2
□ Presentation	
- Applications	4
- Performance	4
- Development and technology	5
- Software configuration	5
- Application function blocks (AFB)	6
- Functions	6
- Ethernet communication	7
- CANmotion/CANopen communication	7
- Modbus communication	7
- Profibus DP (Decentralized Peripherals)	7
- Integration in the Schneider Electric product offer	7
- Range presentation	8
- Conformity to standards	8
- Assembly and mounting	9
- Local or remote architecture	9
- Communication	10
□ Description	11
□ References	
- Motion controller	12
- Accessories, connection cables	13
■ Communication modules	
□ Communication modules for Modbus serial link	
- Presentation, description	14
- References	15
□ Communication module for Profibus DP fieldbus	
- Presentation, description	16
- References	17
■ Product reference index	18

Applications	General machine control with motion: <input type="checkbox"/> Packaging <input type="checkbox"/> Conveying <input type="checkbox"/> ... 42 digital I/O	General machine control with motion: <input type="checkbox"/> Packaging <input type="checkbox"/> Conveying <input type="checkbox"/> Machine control with motion 42 digital I/O + 4 analog inputs
		
User memory	RAM Flash	RAM Flash
User program size	128 program Kinstructions	128 program Kinstructions
Power supply	24 V ~	24 V ~
Channel connection	Via removable spring terminal blocks (supplied)	Via removable spring terminal blocks (supplied)
Inputs	Digital Analog	Digital Analog
Digital outputs	Transistor Relay	Transistor Relay
Built-in communication ports	USB-B mini-port USB-A port RJ45 port (MBS) SUB-D connector (9-way male) (CAN0) SUB-D connector (9-way male) (CAN1) SUB-D connector (15-way female) (Encoder) RJ45 port (Ethernet)	USB-B mini-port USB-A port RJ45 port (MBS) SUB-D connector (9-way male) (CAN0) SUB-D connector (9-way male) (CAN1) SUB-D connector (15-way female) (Encoder) RJ45 port (Ethernet)
Optional communication ports	-	2 PCI slots available on controller for optional communication modules TM5 PC●●● (1): <input type="checkbox"/> Modbus or ASCII serial link <input type="checkbox"/> connection to Profibus DP bus (slave)
Software programming	With SoMachine software: please consult our catalog SoMachine configuration software	
Motion controller type	LMC058LF42	LMC058LF424
Page	12	12

(1) To be ordered separately, see page 14.



Modicon LMC058 motion controller

The Modicon LMC058 motion controller is the optimum solution for axis control and positioning, including automation functions. It forms a part of Flexible Machine Control approach, a key component of MachineStruxure™, which brings you maximum flexibility and ensures the most optimised control solution. The Modicon LMC058 motion controller meets the needs of a wide range of applications in several business sectors.

This motion controller is designed for machine manufacturers (OEMs) who require synchronized axes, focusing on applications such as packaging, conveying and storage machines, metal and wood working machines, etc. and offers high-performance solutions for velocity control, counting, axis control and communication functions.

To this end, the LMC058 master motion controller includes as standard:

- A CANopen master
- A CANmotion master dedicated to control of up to 8 synchronized axes, with a performance of 2 ms for 4 axes

With Motion controllers Modicon LMC058, Lexium 32 and Lexium SD3 drives, and BSH and BDH servo motors, Schneider Electric offers a complete, high-performance and cost-effective solution.

Applications

The Modicon LMC058 motion controller performs axis synchronization and coordination, via a fieldbus, for applications requiring control of up to 8 synchronized axes.

It integrates the standard motion control functions:

- Velocity control and torque control
- Relative or absolute positioning
- Cam profiles for slave axes and control of programmable cam switches
- Virtual axes
- Electronic gearing function for velocity and position, linear and circular interpolations (2½D)
- Master axis using an external encoder
- Distance measurement and position capture on high-speed (30 µs) digital input

This is specifically designed for applications such as:

- Material handling machines (conveyors, palletizers, storage and retrieval systems, etc.) and transfer machines (cranes, etc.)
- Assembly machines (tool fixing, clamping, etc.)
- Inspection and quality control machines
- Packaging machines working "on the fly" (flying shear, printing, marking, etc.)
- Wood and metal working machines

Performance

In terms of performance, the Modicon LMC058 motion controller has a Dual-Core processor:

- Core 1 is dedicated exclusively to managing program tasks and offers the maximum resources for real-time execution of synchronized axis control and the application code.
- Core 2 is dedicated to executing communication tasks, which then have no further impact on the application execution performance.

Execution of the Motion task is synchronized with the CANmotion bus cycle time. This task calculates the position of the synchronized axes and is programmed with SoMachine software, which is used to program Modicon LMC058 motion controller using:

- IEC 61131-3 programming languages: Instruction List (IL), Ladder Diagram (LD), Function Block Diagram (FBD), Sequential Function Chart/Grafset (SFC) and Structured Text (ST)
- CFC (Continuous Function Chart) language.

The ease of use of PLCopen function blocks significantly reduces the time taken to program motion control and control independent and synchronized axes on machines.

The ability to combine motion functions with standard automation functions offers both maximum flexibility and a high level of performance. The LMC058 master motion controller is able to control synchronization of real, remote and virtual axes.



Performance (continued)

To improve the performance and reliability of your machines, the LMC058 motion controller has a 15-way SUB-D connection for a master encoder (incremental or SSI).

The Modicon LMC058 motion controller expands the machine's capabilities with its ability to manage up to **2400 I/O**, **64 MB** RAM for data and program storage, and **128 MB** Flash memory for application and data backup.

In developing the Modicon LMC058 motion controller, the cost aspect was taken into account, and the CPUs are equipped as standard with:

- 42 digital I/O
- Embedded serial link and Ethernet port
- 4 analog inputs (reference LMC058LF424)
- A CANopen master
- A CANmotion master

Development and technology

In its characteristics, the Modicon LMC058 motion controller has been developed to minimize the costs of assembly, cabling, commissioning and maintenance.

To this end:

- Each module have removable terminals.
- The electrical connections are made on spring terminals, speeding up the wiring process and also avoiding the need for periodic retightening. In addition, each terminal has a test point for a voltage sensing device.
- The embedded serial link and Ethernet port on the Modicon LMC058 motion controller have an RJ45 connection at 45° for quick visible connection of the communication channels.
- The modularity of the various bases and expansion modules has been optimized in order to significantly reduce the number of references to be ordered and assembled, while ensuring the minimum investment in your configuration is necessary, thanks to a capacity of between 2 and 42 channels per expansion module.
- Mechanical assembly of the various parts has been designed to save a considerable amount of time during assembly.

Software configuration

Configuration and programming of each Modicon LMC058 motion controller and equipment in Schneider Electric's "Flexible Machine Control" concept are both designed to cut costs and optimize machine performance, using SoMachine.

To reduce the configuration time of device, a selection of function blocks is available in the "Motion Library":

- Library for ATV on CANopen
- Lexium library for Lexium 32 and Lexium SD3 on CANopen and CANmotion
- Lexium library for the whole ILx range on CANopen

This PLCopen-compliant library consists of administrative function blocks (read/write parameters, states, etc.) and single-axis and multi-axis function blocks.

The main functions are as follows:

- Power On, stop, reset
- Relative, absolute or additional positioning
- Continuous positioning (reaching a position at a predefined speed)
- Velocity control
- Velocity profile
- Position profile
- Cam profile
- Electronic gearing
- Phasing
- Programmable cam switch
- Linear or circular interpolation

User library

With SoMachine software, it is very easy to create your own function blocks (user library) to reduce programming times. Creating a user library simplifies the standardization and reuse of programs and also allows the user to protect proprietary information.

Please consult our catalog [SoMachine configuration software](#).



SoMachine software platform

Application function blocks (AFB)

This is a library of functions developed specifically by Schneider Electric. It contains application functions currently encountered in applications in the fields of assembly, material handling and cut to length applications. Each function block has a large number of mechanical and application variants.

The use of function blocks:

- Saves programming time
- Saves setup time
- Simplifies reading

The function blocks available in the library are:

- Flying shear
- Rotary knife
- Grouping/ungrouping
- Clamping with torque control
- Etc.

Functions

Analog functions

For machines that require functions to process data issued by analog sensors/ actuators (voltage or current), temperature sensors or PID control sensors, a complete range of expansion modules as well as advanced programming functions are included in the Modicon LMC058 motion controller offer.

In order to minimize the number of machine product references, optimize assembly time and cut costs, the LMC058LF424 motion controller includes 4 voltage or current analog inputs with 12-bit resolution as standard.

The different expansion modules are available in 2, 4 or 6-channel versions and with either 12 or 16-bit resolution.

The powerful performance of the LMC058 motion controller enables up to 200 analog I/O and/or temperature modules to be connected, thus extending the limits of machine requirements.

High-speed counter function (HSC)

In order to meet requirements for machine productivity, the LMC058 motion controller has 8 embedded high-speed counters with a counting frequency of 200 kHz for each channel and 4 reflex outputs.

These embedded counters, together with the CANopen master link, make it quick and easy to create cost-effective, high-performance multi-axis functions to suit the machines' limitations.

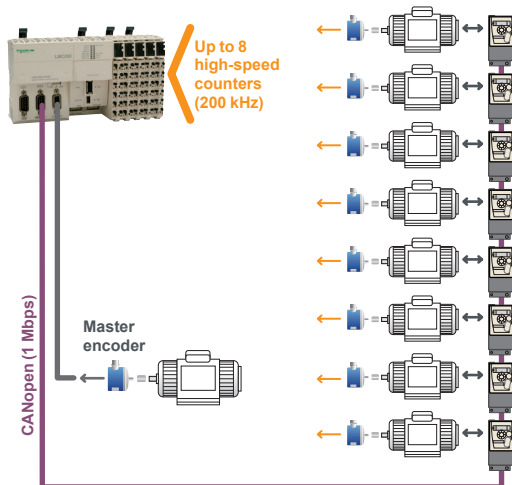
With the availability of PLCopen function blocks specific to the motion control functions in the SoMachine software, you can be sure that developing your applications will be quick and reliable.

Moreover, a complete range of high-speed counter modules is available so you can adapt your configuration to your machine's specific requirements.

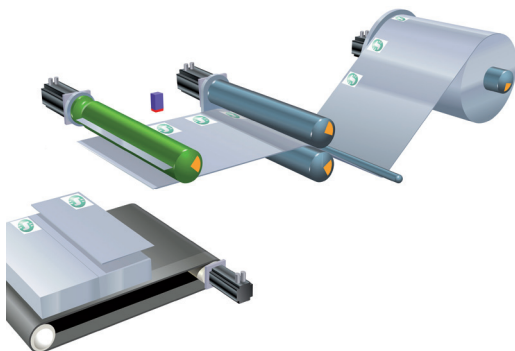
Position control function

Several options are offered in terms of position control:

- Creating a sequence in Lexium 32 servo drives, with communication with the LMC058 motion controller achieved by the use of digital I/O
- Creating an application in the LMC058 motion controller and controlling Lexium 32 drives and servo drives and/or Lexium SD3 stepper drives via the integrated CANopen master link available on LMC058 motion controllers (in this case the Motion tasks are independent axis Motion tasks)
- Creating an application in the LMC058 motion controller and controlling the Lexium 32 drives and servo drives and/or Lexium SD3 stepper drives via the integrated CANmotion master link available on each LMC058 motion controller (in this case the Motion tasks are independent and/or synchronized axis Motion tasks - cam profiles, electronic gearing, interpolation)



High-speed counter function (one-phase or two-phase)



Lexium 32 servo drives: monitoring cutting to length



LMC058LF42 motion controller



LMC058LF424 motion controller

TM5PC communication modules



TM5C compact block



TM5SD digital module



TM5SMM6D2L digital/analog module



TM5SA analog module



TM5SE Expert module



TM5SPD Common Distribution module



TM5SPS Power Distribution modules



TM5SBET1 transmitter module



TM5SBER2 receiver module

Range presentation

The LMC058 motion controller range is divided into two sizes:

- The LMC058LF42 motion controller is 177 mm wide.
- The LMC058LF424 motion controller is 237.5 mm wide as it has two free PCI slots for optional Modicon TM5 communication modules (Modbus or ASCII serial link, connection to Profibus DP bus).

This range is completed by an extensive expansion module offer:

- Modicon TM5 Compact blocks
- Modicon TM5 Digital modules
- Modicon TM5 Digital/Analog module
- Modicon TM5 Analog modules
- Modicon TM5 Expert modules
- Modicon TM5 Common Distribution modules
- Modicon TM5 Power Distribution modules
- Modicon TM5 Transmitter and receiver modules

Please consult our catalog [Modicon TM5 High-Performance and Safe IP20 Modular I/O System](#).

Functions

The main component in a system is the motion controller: two LMC058 motion controller models are offered to cover different control requirements (pressure, temperature, counting, velocity, positioning, motion, etc.).

LMC058 motion controllers and I/O modules are programmed using SoMachine software.

Please consult our catalog [SoMachine configuration software](#).

Reference	Embedded functions
LMC058LF42	<ul style="list-style-type: none"> ■ 42 digital I/O including 8 high-speed counters (200 kHz) ■ CANopen master ■ CANmotion master
LMC058LF424	<ul style="list-style-type: none"> ■ 42 digital I/O including 8 high-speed counters (200 kHz) ■ 4 voltage/current analog inputs ■ CANopen master ■ CANmotion master

The Modicon LMC058 motion controllers have two groups of high-speed I/O with, for each group:

- Four sink type high-speed inputs (up to 200 kHz), 2 standard inputs and 2 source type high-speed outputs (up to 100 kHz) dedicated to HSC or PWM functions
- A high-speed input which can be used as an “Encoder capture input”
- Two commons for the inputs
- One common for the outputs
- A power supply (24 V $\overline{\text{---}}$) consisting of 3 units:
 - One for the CPU
 - One for the high-speed I/O modules
 - One for other modules (internal I/O Bus).

Conformity to standards

Type		Performance
Surge immunity 24 VDC circuit	EN/IEC 61000-4-5	1 kV in common mode
		0.5 kV in differential mode
Surge immunity 230 VAC circuit	EN/IEC 61000-4-5	2 kV in common mode
		1 kV in differential mode
Induced electromagnetic field	EN/IEC 61000-4-6	10 Veff (0.15...80 MHz)
Conducted emission	EN 55011 (IEC/CISPR11)	150...500 kHz, quasi peak 79 dB μ V
		500 kHz...30 MHz, quasi peak 73 dB μ V
Radiated emission	EN 55011 (IEC/CISPR11)	30...230 MHz, 10 m @ 40 dB μ V/m
		230 MHz...1 GHz, 10 m @ 47 dB μ V/m

Assembly and mounting

The components of this system have been designed for simple interlocking mechanical assembly.

An 8-way expansion bus connection (2 for the power supply, 2 for the bus and 4 for the data) is used to distribute data and the power supply when assembling the components: the LMC058 motion controller with compact blocks and modules (Digital, analog, Expert, Common Distribution, Power Distribution, bus expansion). Each element which make up the system is mounted on a symmetrical rail using the locking levers located on top of the device.

Wiring and maintenance of devices is simplified by the use of removable spring terminals. The spring terminals are undone by pressing a locking tab.

The system is integrated into communication networks: the connectors (RJ45, USB, mini-USB and SUB-D type) are accessible, as they are located on the motion controller front panels.

Local or remote architecture

Local I/O (1)

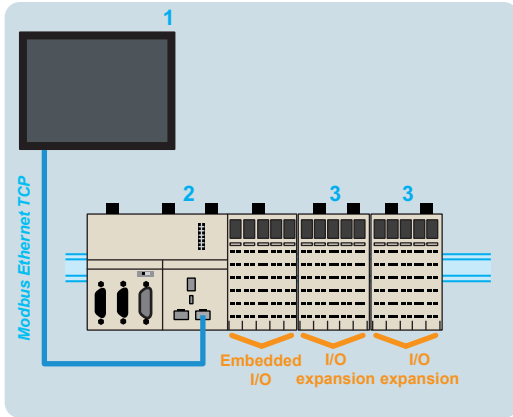
A PLC configuration can be local or remote. It consists of an LMC058 motion controller with its embedded input and output channels, used in conjunction with compact blocks and/or expansion modules which are used to increase the number of channels and/or application-specific functions.

- Compact blocks represent a way of adding a large number of I/O with a single component, and thus only a single product reference.

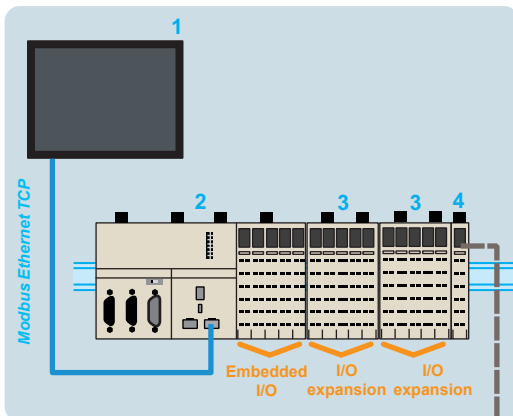
- I/O modules (combination of a bus base, an electronic module and a terminal block) complete this configuration and, being modular with between 2 and 12 channels, make it possible to adjust the number of channels to exactly that required. The addition of digital or analog modules, temperature or high-speed counter modules increases the processing capabilities of applications.

Local I/O configuration

- 1 XBTGC supervisory graphic touch screen terminal
- 2 LMC058 motion controller
- 3 Compact blocks or I/O modules



Local I/O



Remote I/O (1)

Because of its backplane bus management, the TM5 system can be used to control I/O remotely.

The same modules can be used in either a local and/or remote configuration, linked together with bus expansion cables.

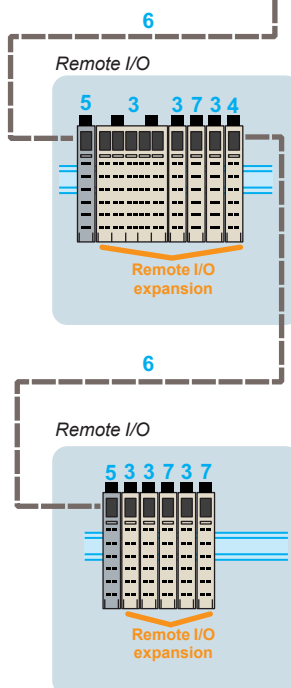
The maximum distance between two remote islands is 100 m and the maximum number of islands is 25, i.e. a total distance of up to 2500 m.

This function ensures a high level of flexibility, while retaining **synchronization of data acquisition**, since the expansion modules are on the same backplane bus.

Remote I/O configuration

- 1 XBTGC supervisory graphic touch screen terminal
- 2 LMC058 motion controller
- 3 Compact blocks or I/O modules
- 4 Transmitter modules
- 5 Receiver modules
- 6 TM5 expansion bus cables
- 7 Common distribution modules

(1) Please consult our catalog [Modicon TM5 High-Performance and Safe IP20 Modular I/O System](#).



Communication

LMC058 motion controllers have the following built-in communication ports:

References	Communication ports	Use
LMC058LF42	RJ45 Configurable as RS232 or RS485	ASCII or RTU exchange with Modbus communication protocol
	1 x RJ45 (MDI/MDIX port)	<input type="checkbox"/> FTP server <input type="checkbox"/> Web server <input type="checkbox"/> Modbus TCP server <input type="checkbox"/> Modbus TCP client <input type="checkbox"/> SoMachine Manager <input type="checkbox"/> SNMP <input type="checkbox"/> Ethernet IP device <input type="checkbox"/> Modbus device
	1 x USB-A	Connection of a USB memory stick for transferring (uploading/downloading) programs, data and/or firmware
	1 x mini-USB	Programming port (480 Mbps)
	1 x 9-way male SUB-D	CANopen master connection
	1 x 9-way male SUB-D	CANmotion master connection
	1 x 15-way female SUB-D	Master encoder
LMC058LF424	RJ45 Configurable as RS232 or RS485	ASCII or RTU exchange with Modbus communication protocol
	1 x RJ45 (MDI/MDIX port)	<input type="checkbox"/> FTP server <input type="checkbox"/> Web server <input type="checkbox"/> Modbus TCP server <input type="checkbox"/> Modbus TCP client <input type="checkbox"/> SoMachine Manager <input type="checkbox"/> SNMP <input type="checkbox"/> Ethernet IP device <input type="checkbox"/> Modbus device
	1 x USB-A	Connection of a USB memory stick for transferring (uploading/downloading) programs, data and/or firmware
	1 x mini-USB	Programming port (480 Mbps)
	1 x 9-way male SUB-D	CANopen master connection
	1 x 9-way male SUB-D	CANmotion master connection
	1 x 15-way female SUB-D	Master encoder
	2 PCI slots for communication modules = 2 x 9-way male SUB-D	Addition of optional communication modules for a serial link and a connection on the bus Profibus DP

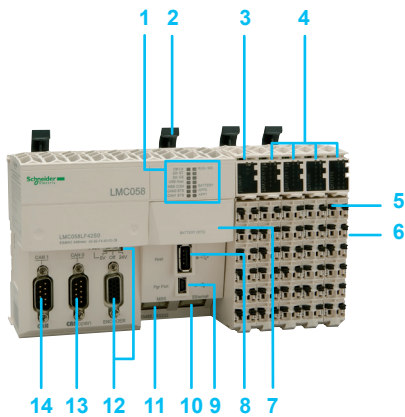
Embedded Ethernet

LMC058 motion controllers have an embedded Ethernet link via a direct connection to their RJ45 port.

- Speed: "10 BaseT" and "100 BaseTX" with auto-negotiation
- RJ45 port (MDI/MDIX): automatic adaptation to a straight or crossed cable

References	Protocols	Number of connections
LMC058LF42	Modbus server	8
LMC058LF424	Modbus device	2
	SoMachine	3 (1)
	Ethernet IP device	16
	FTP server	4
	Web server	10

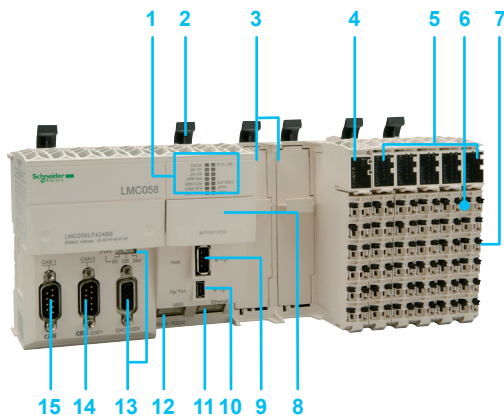
(1) The Oscilloscope function uses one connection.



Description

The LMC058LF42 motion controller comprises:

- 1 A display block with:
 - 4 motion controller status LEDs (RUN/MS, BATTERY, APP0 and APP1)
 - 7 built-in communication port status LEDs (*Eth* LA, *Eth* ST, *Eth* NS, USB Host, MBS COM, CAN 0 STS, CAN 1 STS)
- 2 Locking lever for mounting/dismounting on \perp symmetrical rail
- 3 A 24 V \square power supply module with removable terminal block and locking lever, display block and slot for a label
- 4 I/O modules, each one with a removable terminal block with locking lever, a display block showing the I/O states and a slot for a label-holder
- 5 Removable terminal block with locking lever for locking/unlocking
- 6 On the side, an expansion bus connector for connecting to the next module
- 7 A slot for the RTC (Real Time Clock) battery
- 8 A USB-A connector (marked Host) for connecting a USB memory stick for transferring programs, data or firmware updates
- 9 A USB-B mini-connector (marked Pgr Port) for connecting to the programming PC
- 10 An RJ45 connector (marked Ethernet) for connecting to the Ethernet network and/or Magelis XBTGC graphic terminal
- 11 An RJ45 connector (marked MBS) for the RS232 or RS485 serial link
- 12 A 15-way female SUB-D connector, marked ENCODER, for connecting the master encoder and a selector switch for the 3 encoder supply voltage states (5 V, Off, 24 V)
- 13 A 9-way male SUB-D connector, marked CAN0, for connecting to the CANopen bus
- 14 A 9-way male SUB-D connector, marked CAN1, for connecting to the CANmotion bus



The LMC058LF424 motion controller comprises:

- 1 A display block with:
 - 4 motion controller status LEDs (RUN/MS, BATTERY, APP0 and APP1)
 - 7 built-in communication port status LEDs (*Eth* LA, *Eth* ST, *Eth* NS, USB Host, MBS COM, CAN 0 STS, CAN 1 STS)
- 2 Locking lever for mounting/dismounting on \perp symmetrical rail
- 3 Two free PCI slots for the communication modules
- 4 A 24 V \square power supply module with removable terminal block and locking lever, display block and slot for a label
- 5 I/O modules, each one with a removable terminal block with locking lever, a display block showing the I/O states and a slot for a label-holder
- 6 Removable terminal block with locking lever for locking/unlocking
- 7 On the side, an expansion bus connection for the link with the next module
- 8 A slot for the RTC (Real Time Clock) battery
- 9 A USB-A connector (marked Host) for connecting a USB memory stick for transferring programs, data or firmware updates
- 10 A USB-B mini-connector (marked Pgr Port) for connecting to the programming PC
- 11 An RJ45 connector (marked Ethernet) for connecting to the Ethernet network and/or Magelis XBTGC graphic terminal
- 12 An RJ45 connector (marked MBS) for the RS232 or RS485 serial link
- 13 A 15-way female SUB-D connector, marked ENCODER, for connecting the master encoder and a selector switch for the 3 encoder supply voltage states (5 V, Off, 24 V)
- 14 A 9-way male SUB-D connector, marked CAN0, for connecting to the CANopen bus
- 15 A 9-way male SUB-D connector, marked CAN1, for connecting to the CANmotion bus



LMC058LF42



LMC058LF424

References

LMC058 motion controllers, 24 V $\overline{\text{---}}$ power supply (1)

No. of I/O	Inputs	Outputs	Built-in communication ports	Reference	Weight kg /lb
42 I/O	<ul style="list-style-type: none"> ■ 26 x 24 V $\overline{\text{---}}$ digital inputs including 8 counter inputs (200 kHz) 	<ul style="list-style-type: none"> ■ 16 digital transistor outputs (0.5 A) including 4 reflex outputs 	<ul style="list-style-type: none"> <input type="checkbox"/> 1 RJ45 port: Ethernet <input type="checkbox"/> 1 SUB-D port (9-way male): CANopen master <input type="checkbox"/> 1 SUB-D port (9-way male): CANmotion master <input type="checkbox"/> 1 SUB-D port (15-way female): master encoder <input type="checkbox"/> 1 USB-A port: program transfer <input type="checkbox"/> 1 USB-B mini-port: software programming <input type="checkbox"/> 1 RJ45 port: RS232/RS485 serial link 	LMC058LF42	0.550 1.213
42 + 4 I/O	<ul style="list-style-type: none"> ■ 26 x 24 V $\overline{\text{---}}$ digital inputs including 8 counter inputs (200 kHz) ■ 4 analog inputs 10 V/- 10 V, 4-20 mA/ 0-20 mA, 12-bit resolution 	<ul style="list-style-type: none"> ■ 16 digital transistor outputs (0.5 A) including 4 reflex outputs 	<ul style="list-style-type: none"> <input type="checkbox"/> 1 RJ45 port: Ethernet <input type="checkbox"/> 1 SUB-D port (9-way male): CANopen master <input type="checkbox"/> 1 SUB-D port (9-way male): CANmotion master <input type="checkbox"/> 1 SUB-D port (15-way female): master encoder <input type="checkbox"/> 1 USB-A port: program transfer <input type="checkbox"/> 1 USB-B mini-port: software programming <input type="checkbox"/> 1 RJ45 port: RS232/RS485 serial link <p style="margin-left: 20px;"><input type="checkbox"/> + 2 free PCI slots for optional communication modules (2): RS232/RS485 serial link and Profibus DP bus</p>	LMC058LF424	0.770 1.698

(1) The motion controllers Modicon LMC058 require a power supply with a nominal voltage of 24 V $\overline{\text{---}}$. The 24 V $\overline{\text{---}}$ power supply must be rated Separated Extra Low Voltage (SELV-rated) according to IEC 61140. The SELV-rating means that SELV isolation is provided between the electrical input and output of the power supply.
 (2) To be ordered separately, see [page 14](#).

References						
Accessories						
Designation	Used for	Colour	Sold in lots of	Unit reference	Weight kg lb	
Plain text cover holder (label-holder)	Labelling the terminal blocks on the I/O channels	Transparent	100	TM5ACTCH100	0.002 0.004	
Terminal block shield locking clip (Order with plain text cover holder TM5ACTCH100)	Locking plain text cover holder TM5ACTCH100	Transparent	100	TM5ACTLC100	0.001 0.002	
Sheet of 92 precut paper labels	Plain text cover holder TM5ACTCH100	White	100	TM5ACTLS100	0.001 0.002	
Connection cables						
Designation	Used from	to	Length	Reference	Weight kg lb	
Software programming cable Baud rate: 480 Mbps max. Protocol: Modbus, HTTP, FTP, Codesys or virtual, non-isolated	PC USB port	USB mini-port on LMC058 motion controllers, the ATV-IMC card or XBTGC graphic touch screen terminals	3 m	TCSXCNAMUM3P	0.065 0.143	
RS485 serial link cables Modbus protocol	RJ45 port on XBTGC graphic touch screen terminals	RJ45 port on LMC058 motion controllers	2.5 m	XBTZ9980	0.230 0.507	
RS232 serial link cables Character mode	SUB-D port (9-way female) on DTE (1): printer, hand-held bar code reader, etc.	RJ45 port on LMC058 motion controllers	3 m	TCSMCN3M4F3C2	0.150 0.331	
	SUB-D port (9-way female) on DCE (2): GSM modem	RJ45 port on LMC058 motion controllers	3 m	TCSMCN3M4M3S2	0.150 0.331	
Cable for master encoder input	Incremental encoders or SSI serial absolute encoders (1 stripped end)	15-way female SUB-D port on LMC058 motion controllers (1 High Density 15-way male SUB-D connector)	1 m	VW3M4701	-	

(1) DTE: Data Terminal Equipment

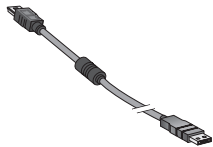
(2) DCE: Data Communication Equipment



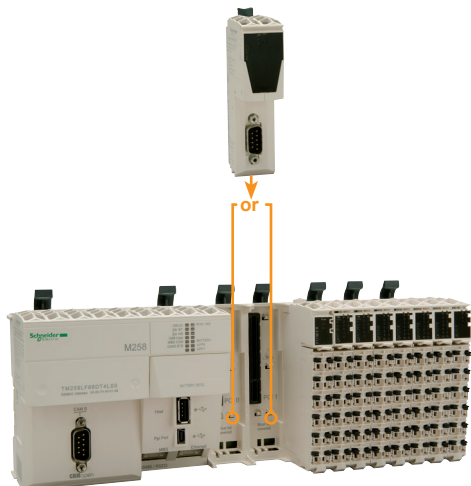
TM5ACTLC100



TM5ACTCH100



TCS XCN AMUM3P



TM5PCRS communication module: for mounting the two free PCI slots in the Modicon M258 logic controller or Modicon LMC058 motion controller

Presentation

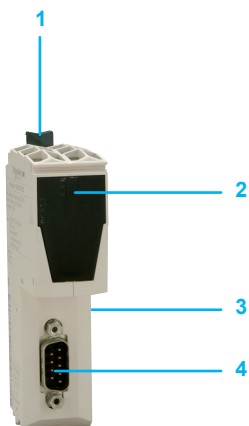
TM5PCRS communication modules are designed for TM258LD42DT4L, TM258LF42DT4L, TM258LF42DR, TM258LF66DT4L logic controllers, LMC058LF42 and LMC058LF424 motion controllers and are installed in one of the two free PCI slots in.

TM5PCRS communication modules can be used to configure one or two additional Modbus or ASCII serial links as RS232 or RS485.

Nota: the maximum number of communication modules is 2.

Modbus and Character mode serial links

Cabling system: [Please consult our catalog Modbus for machines](#)



Description

TM5PCRS communication modules comprise:

- 1 A locking clip for mounting/dismounting on the controller
- 2 A channel and module diagnostics LED display block
- 3 A connector for linking to the controller
- 4 A SUB-D connector (male 9-way) for connection to the serial link

Serial link

LED	Colour	Status: on
Status	Green	Operation in progress
	Red	Controller starting
RXD	Yellow	Reception on interface: <input type="checkbox"/> RS232 with TM258PCRS2 <input type="checkbox"/> RS485 with TM258PCRS4
TXD	Yellow	Transmission on interface: <input type="checkbox"/> RS232 with TM258PCRS2 <input type="checkbox"/> RS485 with TM258PCRS4



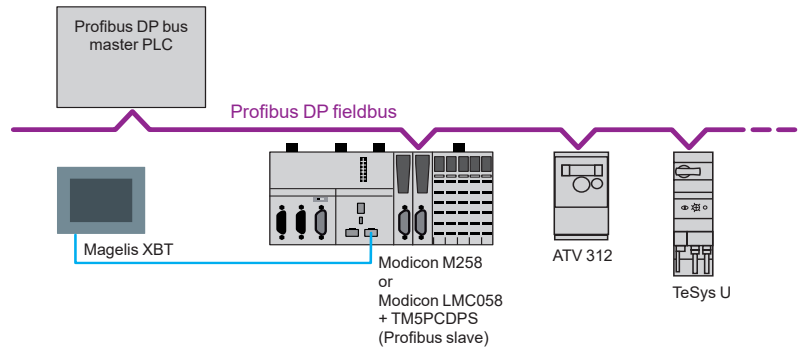
TM5PCRS●

References					
Description	Used for	Physical layer/ protocols	Built-in port	Reference	Weight kg/lb
Modbus serial link communication modules	Logic controllers: <input type="checkbox"/> TM258LD42DT4L, <input type="checkbox"/> TM258LF42DT4L, <input type="checkbox"/> TM258LF42DR, <input type="checkbox"/> TM258LF66DT4L Motion controllers: <input type="checkbox"/> LMC058LF42, <input type="checkbox"/> LMC058LF424	RS232/ Modbus/ASCII, SoMachine	SUB-D connector (male 9-way)	TM5PCRS2	0.064/ 0.14
		RS485 / Modbus/ASCII, SoMachine	SUB-D connector (male 9-way)	TM5PCRS4	0.064/ 0.14

Presentation

Profibus DP (Decentralized Peripherals)

Profibus (Process Field Bus) is a fieldbus for controlling decentralized sensors, actuators or PLCs via a central master controller.



Connectable devices

The following Schneider Electric devices can be connected to this bus:

- Modicon TM258LD42DT4L, TM258LF42DT4L, TM258LF42DR and TM258LF66DT4L logic controllers equipped with the **TM5PCDPS** communication module
- Modicon LMC058LF42 and LMC058LF424 motion controllers equipped with the **TM5PCDPS** communication module
- TeSys U and TeSys T starter-controllers
- Momentum and Modicon STB distributed I/O
- Altivar 312/61/71 variable speed drives for asynchronous motors
- Lexium 05 and 15 servo drives for brushless motors
- Altistart ATS 48 soft start-soft stop units

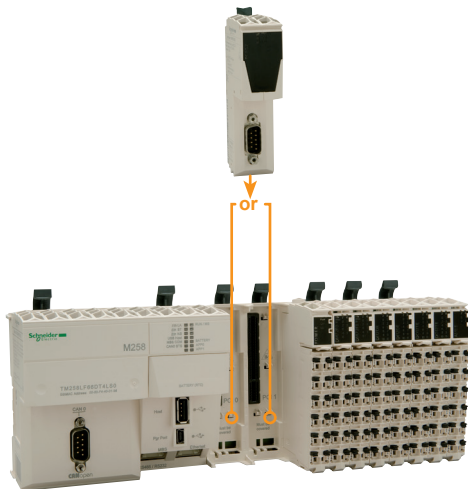
And any third-party device compatible with Profibus DP standard profiles.

Profibus communication module

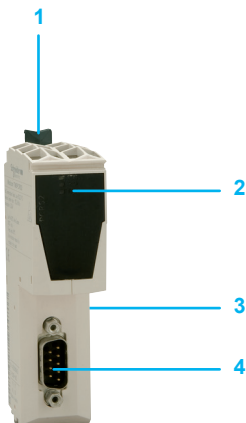
The **TM5PCDPS** communication module is designed for **TM258LD42DT4L**, **TM258LF42DT4L**, **TM258LF42DR** and **TM258LF66DT4L** logic controllers and **LMC058LF424** motion controllers and is installed in one of the two free PCI slots.

The **TM5PCDPS** communication module is used to configure the connection as a slave on the Profibus DP fieldbus.

Note: The maximum number of communication modules is two (see page 14) with a single **TM5PCDPS** Profibus DP slave communication module.



TM5PCDPS communication module: For mounting on one of the two free PCI slots on a Modicon M258 controller or Modicon LMC058 motion controller



Description

The **TM5PCDPS** communication module features:

- 1 A locking clip for mounting/removing the module onto/from the logic controller or motion controller
- 2 A LED display block for the module channels and diagnostics
- 3 A connector for linking the logic controller or motion controller
- 4 A SUB-D connector (male 9-way) for connection to the Profibus fieldbus



TM5 PCDPS



490NAD91103

References					
Modicon TM5 communication module					
Description	For use with	Profile	Built-in port	Reference	Weight kg/ lb
Communication module for Profibus DP (244 I/O data bits)	Logic controllers:	V1 slave	SUB-D connector (male 9-way)	TM5PCDPS	0.064/ 0.14
	<input type="checkbox"/> TM258 LD42DT4L <input type="checkbox"/> TM258 LF42DT4L <input type="checkbox"/> TM258 LF42DR <input type="checkbox"/> TM258 LF66DT4L				
	Motion controllers:				
	<input type="checkbox"/> LMC058LF42 <input type="checkbox"/> LMC058LF424				
Profibus DP fieldbus connection components					
Description	Length m/in.			Reference	Weight kg
Profibus DP connection cables	100 / 328.08			TSXPBSCA100	–
	400 / 1312.33			TSXPBSCA400	–
Description	Type			Reference	Weight kg/ lb
Remote I/O on Profibus DP fieldbus	Modicon STB network interface module			STBNDP2212	0.140/ 0.308
Connectors for remote I/O communication module	Line terminator			490NAD91103	–
	In-line connector			490NAD91104	–
	In-line connector and terminal port			490NAD91105	–

#	
490NAD91103	17
490NAD91104	17
490NAD91105	17
L	
LMC058LF42	10 12
LMC058LF424	10 12
S	
STBNDP2212	17
T	
TCSMCN3M4F3C2	13
TCSMCN3M4M3S2	13
TCSXCNAMUM3P	13
TM5ACTCH100	13
TM5ACTLC100	13
TM5ACTLS100	13
TM5PCDPS	17
TM5PCRS2	15
TM5PCRS4	15
TSXPBSCA100	17
TSXPBSCA400	17
V	
VW3M4701	13
X	
XBTZ9980	13

Life Is On



Learn more about our products at
www.se.com

The information provided in this documentation contains general descriptions and/or technical characteristics of the performance of the products contained herein. This documentation is not intended as a substitute for and is not to be used for determining suitability or reliability of these products for specific user applications. It is the duty of any such user or integrator to perform the appropriate and complete risk analysis, evaluation and testing of the products with respect to the relevant specific application or use thereof. Neither Schneider Electric nor any of its affiliates or subsidiaries shall be responsible or liable for misuse of the information contained herein.

Design: Schneider Electric
Photos: Schneider Electric

Schneider Electric Industries SAS

Head Office
35, rue Joseph Monier - CS 30323
F-92500 Rueil-Malmaison Cedex
France

DIA7ED2100803EN
October 2022 - V3.0