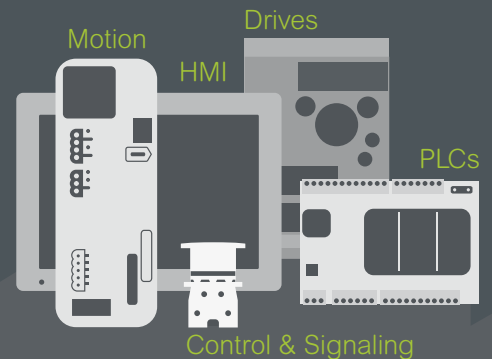




## Introducing the **Easy Series**

Essential automation & control products

*When just enough is just right!*



# Easy Harmony ET5

Human Machine Interfaces  
Entry-level touchscreen panels with  
wide-viewing angle display

# Easy Harmony ET5



Life Is On

**Schneider**  
Electric

# General Contents

---

■ General Presentation .....	page 03
■ Selection Guide .....	page 04
■ Presentation and applications .....	page 06
■ Operation.....	page 06
■ Configuration .....	page 06
■ Communication .....	page 06
■ Functions.....	page 07
■ Operating modes.....	page 07
□ Edit mode .....	page 07
□ Communication with RS-422/RS-485 serial link mode .....	page 08
□ Communication with Ethernet mode.....	page 08
■ Description .....	page 09
■ References .....	page 10
□ Easy Harmony ET5 touchscreen panels.....	page 10
□ Configuration software .....	page 10
□ Connection accessories.....	page 11
□ Cables for connecting ET5 panels to Schneider Electric PLCs.....	page 11
□ Cables and adapters for connecting ET5 panels to third-party PLCs.....	page 11
■ Product Reference Index.....	page 12

Make precise

# IMPACT

with Harmony touchscreen displays and panel



Life Is On

**Schneider**  
Electric

## Entry-level touchscreen panels with wide-viewing angle display

### Wider, clearer views

Enjoy enhanced visibility with 7" or 10" IPS screens and a 170° viewing angle

### Space-Saving Design

Easily integrate into any setup with a slim, lightweight 34mm body

### Flexible Connectivity

Connect with ease using Ethernet, RS485/RS422 ports, and USB HOST/Device capabilities

### Seamless Software Integration

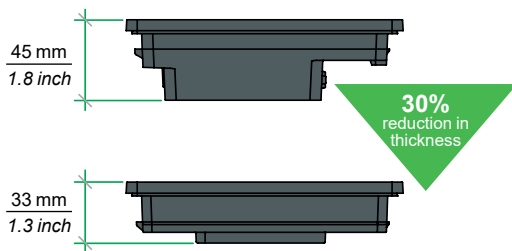
Effortlessly communicate with Codesys and Siemens S7 systems

Easy Harmony ET5 is a range of entry-level network touchscreen panels. They adopt the new generation IPS LCD with a 170° wide viewing angle and an ethernet port. These panels are configured with Vijeo Designer Basic to communicate with simple machine systems for human-machine interaction.



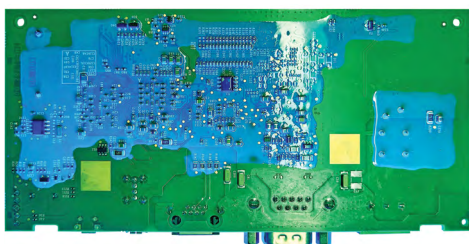
### Better visualization

- > Adaptive IPS LCD, with high-quality image
- > 170° wide viewing angle
- > High contrast ratio
- > Low color shift



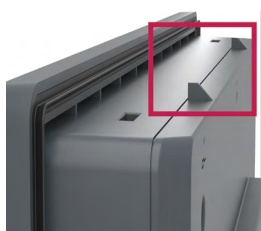
### Compact Design

- > Slim design (only 34mm thick) allows easy installation of the human-machine in various industrial control environments
- > All interfaces are downward for easy access and connection



### High Connectivity

- > All models are equipped with Ethernet port, USB HOST/Device
- > Supports Codesys V3.5 SP20 tag import and communication (supports Chinese tags)
- > Supports TIA V19 Ethernet tag communication



**Anti-drop hook** to prevent panel from accidentally falling off the hook

### Robust Reliability

- > Designed with the protection of reverse power connection against negligent miswiring
- > PCBA coating against the harsh environment with condensate water or conductive dust
- > Mounted with anti-drop hooks

# Easy Harmony ET5

Entry-level touchscreen panels with wide-viewing angle display

Applications

Display of text messages, graphic objects, and synoptic views  
Control and configuration of data



Display	Touchscreen size	7" W	10.1" W
	Resolution (pixels)	800 x 480 pixels, 16 million colors	1,024 x 600 pixels, 16 million colors
	Type	TFT Color LCD, single-touch analog resistive	
Degree of protection		IP65 (front)	
Functions	Brightness control	16 levels (adjusted with touch panel or software)	
	Backlight service life	20,000 hours or more (continuous operation at 25 °C/77 °F) before backlight brightness decreases to 50%	
Memory	Device memory	256 MB	
	User data memory	150 MB	
	Backup memory	128 KB NVRAM	
Dimensions	External W × H × D mm/in.	205.5 x 150.5 x 33/8.09 x 5.92 x 1.30	270.5 x 200.5 x 34/10.64 x 7.89 x 1.34
	Cut-out W × H mm/in.	190 x 135/7.48 x 5.31	255 x 185/10.04 x 7.28
Weight	kg/lb	0.45/0.992	0.83/1.83
Supply voltage		19.2 V...28.8 V $\overline{\text{---}}$	
Environment		Ambient air temperature 0...50 °C/32...122 °F	
Communication	Asynchronous serial link	RS-485/RS-422 (COM1)	
	USB ports	1x USB 2.0 (type-A), 1x USB 2.0 micro-B	
	Buses and networks	1x Ethernet TCP/IP (10BASE-T/100BASE-TX)	
RTC		Yes	
Conformity to standards and certifications		CE, China RoHS	
Operating system		VxWorks	
Development software		Vijeo Designer Basic (1)	
Reference		<b>HMIET5400</b>	<b>HMIET5500</b>
Pages		10	

(1) Requires Vijeo Designer Basic V2.1. For more information on Vijeo Designer, please refer to the [DIA5ED2130614EN](#) catalog.

# Easy Harmony ET5

Entry-level touchscreen panels with wide-viewing angle display



7" Wide and 10" Wide Easy Harmony ET5 touchscreen panels

## Presentation and applications

The range of Easy Harmony ET5 essential touchscreen panels has been designed for various industrial production machines and system integration. They are dedicated to the following fields and types of machines:

- > Utilities and engineering equipment
  - >> Water pump
  - >> Data center
  - >> Mechanical parking system
  - >> Crane
- > Production machines
  - >> Packaging machinery
  - >> Material working



Example of project configuration

## Operation

Easy Harmony ET5 touchscreen panels are designed to meet the essential needs of information and communication technologies, which, depending on the model, include:

- > Essential level of communication (serial multilink, USB downloading port)
- > High level of communication (embedded Ethernet multilink) (1)
- > External data storage (on a USB memory stick) for storing production
- > Data and backing up applications (1)
- > Management of peripheral equipment: printers, barcode readers, etc. (1)

These panels offer an excellent level of technical performance and are designed for use mainly by OEM customers.

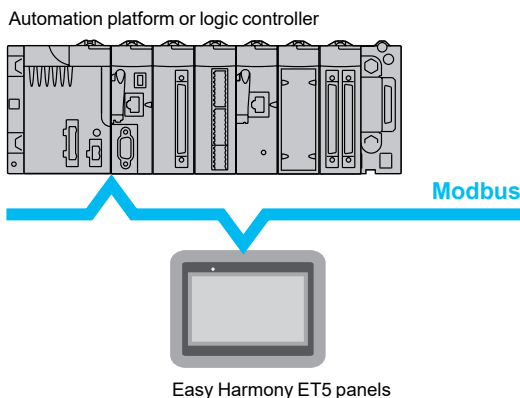
## Configuration

Easy Harmony ET5 touchscreen panels are configured using Vijeo Designer Basic software (1) in Windows 10 and Windows 11 environments. This simplified configuration software boasts an intuitive user interface with many configurable windows, enabling projects to be developed quickly and easily.

## Communication

Easy Harmony ET5 touchscreen panels can communicate with various PLCs via the integrated serial links or Ethernet links, using the following communication protocols:

- > Schneider Electric (Modbus)
- > Third-party: Mitsubishi Electric, Omron, and Siemens



(1) Requires Vijeo Designer Basic version 2.1.

# Easy Harmony ET5

Entry-level touchscreen panels with wide-viewing angle display

## Functions

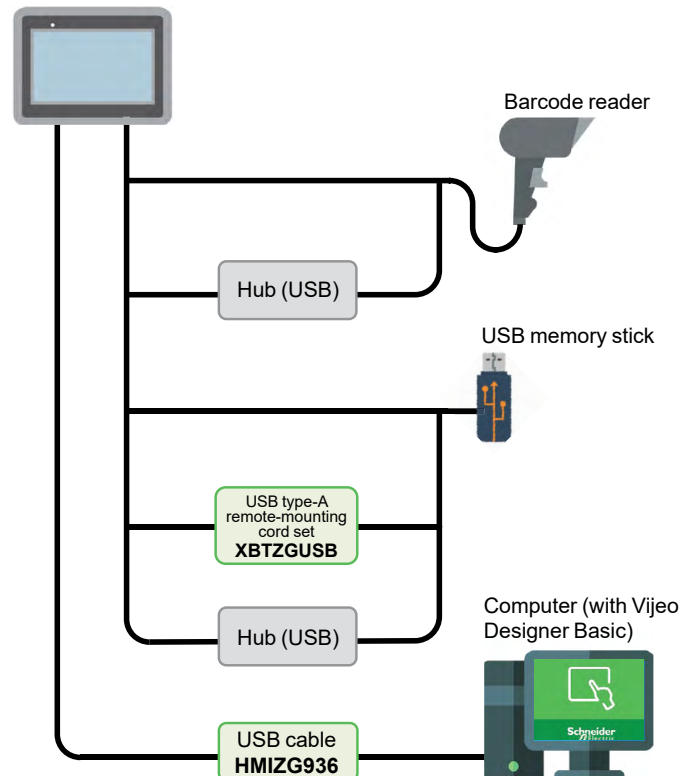
Easy Harmony ET5 touchscreen panels with Vijeo Designer Basic offer the following functions:

- > Display of animated mimics featuring eight types of animation: pressing the touch panel, color changes, filling, movement, rotation, size adjustments, visibility, and value display
- > Control and modification of numeric and alphanumeric values
- > Display of date and time
- > Real-time curves and trend curves with log
- > Alarm display, alarm log, and management of alarm groups
- > Multi-window management
- > Page calls initiated by the operator
- > Multilingual application management (10 languages simultaneously, supports Thai font)
- > Recipe management
- > Data processing via Java Script
- > Application and logs stored on an external application memory card in USB stick format
- > Management of printer and barcode reader
- > SNTP protocol for network time synchronization
- > Screen enlarging and shrinking
- > Storing, filtering, and sorting of data and alarm record

## Operating modes for Harmony ET5 touchscreen panels

### Edit mode

Easy Harmony ET5 panel



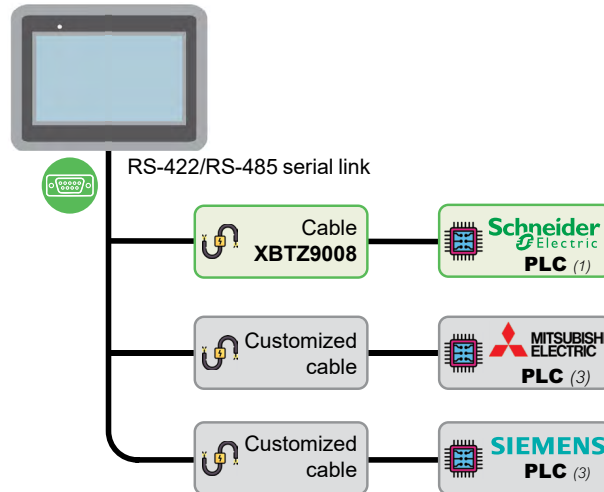
# Easy Harmony ET5

Entry-level touchscreen panels with wide-viewing angle display

## Operating modes for Harmony ET5 touchscreen panels (continued)

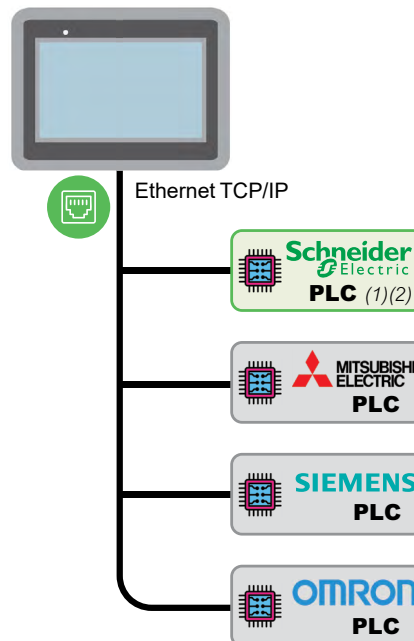
### Communication with RS-422/RS-485 serial link mode

Easy Harmony ET5 panel



Examples of connection to RS-422/RS-485 serial port (4).

### Communication with Ethernet mode



Examples of connection Ethernet TCP/IP (4).

(1) M200/M221/M241/M251/M262 logic controllers.

(2) M310/M310M motion controllers.

(3) For customized cables, contact our Customer Care Center.

(4) Non-exhaustive examples; contact our Customer Care Center for more information.

# Easy Harmony ET5

Entry-level touchscreen panels with wide-viewing angle display

### Easy Harmony ET5 touchscreen panels

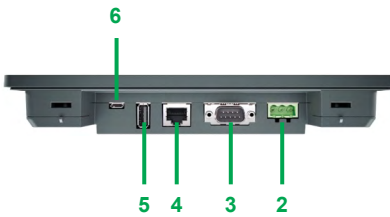
#### Front view

- 1 Wide IPS LCD touchscreen



#### Underside view

- 2 24V DC power supply connector supplied with the terminal
- 3 9-way male SUB-D connector for RS 422/RS 485 serial link (COM1 port)
- 4 Ethernet port, 10/100Base-Tx type
- 5 USB type-A port for external storage with USB memory stick
- 6 USB micro-B port for screen data downloading



# Easy Harmony ET5

Entry-level touchscreen panels with wide-viewing angle display

ETH touchscreen panels and Vijeo Designer software



HMIET5400



HMIET5500



## Easy Harmony ET5 touchscreen panels (1)(2)

Screen size and type	Number of ports	Memory capacity		Reference	Weight kg/lb
		For application	For backup		
7" wide, 800 x 480 pixels, color TFT screen	1x COM1 (RS-422/485), 1x USB micro-B, 1x USB type-A, 1x 10/100 Base-Tx	150 MB	128 KB	<a href="#">HMIET5400</a>	0.45/0.99
10" wide, 1,024 x 600 pixels, color TFT screen	1x COM1 (RS-422/485), 1x USB micro-B, 1x USB type-A, 1x 10/100 Base-Tx	150 MB	128 KB	<a href="#">HMIET5500</a>	0.83/1.83

## Configuration software

Description	Used for	Reference
Vijeo Designer Basic (4)	Easy Harmony ET5 models	(3)

(1) Panels supplied with fixing screws, power supply connector. Setup documentation for Easy Harmony ET5 panels is included in electronic format with the Vijeo Designer Basic configuration software.  
 (2) Comprehensive information relating to Easy Harmony ET5 panels is available on our website.  
 (3) To download this software, visit our website [www.se.com](http://www.se.com).  
 (4) Requires software version 2.1. Cable for transferring application from PC to Easy Harmony ET5 panels (HMIZG936), to be ordered separately (see our website [www.se.com](http://www.se.com)).

# Easy Harmony ET5

Entry-level touchscreen panels with wide-viewing angle display

Connection accessories, cables for third-party PLCs and connection via Modbus serial link



HMIZG936

### Connection accessories

Designation	Description	Length m/ft	Reference	Weight kg/lb
USB transfer cable	Cable for transferring screen data from a PC (USB type-A) to HMI (USB micro-B)	1/3.28	<a href="#">HMIZG936</a>	0.10/0.22

### Cables for connecting ET5 panels to Schneider Electric PLCs

Type of automation product	Type of connector (automation product end)	Protocol	Type of Easy Harmony ET5 panels	Physical link (panels port)	Reference	Length m/ft
Modicon M340 Modicon M221 Modicon M241 Modicon M251 Modicon M262	RJ45	Modbus	All models	RS-485	<a href="#">XBTZ9008</a>	2.5/8.20
Easy Modicon M200	Terminal block	Modbus	All Models	RS-485	(1)	2.5/8.20

### Cables and adapters for connecting ET5 panels to third-party PLCs

Description (Driver used)	Type of connector (fitted to cable, excluding adapter)	Type of Easy Harmony ET5 panels	Physical link (panels port)	Reference	Length m/ft
Mitsubishi, Melsec PLCs					
Connection cable, FX (CPU)	Terminal block/mini-DIN	All models	RS-422	(1)	5/16.40
Siemens, Simatic PLCs					
Connection cables, MPI port, S7 200/200 SMART	9-way SUB-D/ 9-way SUB-D	All models	RS-485	(1)	-

(1) Customized cable. For more details on the customized cables, contact our Customer Care Center.

# Easy Harmony ET5

Entry-level touchscreen panels with wide-viewing angle display

Product reference index

---

<b>H</b>	
HMIET5400	10
HMIET5500	10
HMIZG936	11
<b>X</b>	
XBTZ9008	11

# mySchneider, your personalized digital experience

Access an all-in-one customized online experience and benefit from tailored business services, resources, and tools to efficiently support your business operations.

- **Efficiency:** In just a few clicks, find all the information and support you need to get the job done.
- **Simplicity:** Use a single login to access all business services, in one place, available 24/7. You no longer need to log in to multiple platforms.
- **Personalization:** Benefit from content, tools, and business services tailored to your activity, and customize your landing page based on your preferences.

## Watch the How-to Videos



### Order management

- > [Select Products and Add to Cart](#)
- > [Check for Products' Price and Availability](#)
- > [Order Products with Generic Commercial References](#)



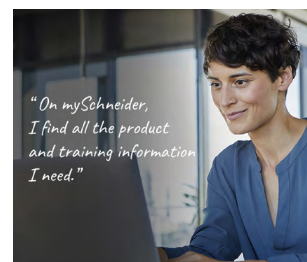
### Product information

- > [Find a Product Data Sheet and Related Documents](#)
- > [Select Products and Add to Cart](#)
- > [Stay Up to Date on the Status of My Products](#)



### Support

- > [Get Quicker Answers Thanks to Online Support](#)



### Training

- > [Access Trainings Dedicated to My Activity](#)

[Create your account](#)

Life Is 

**Schneider**  
Electric

# Legal information

The information provided in this Catalog contains description of Schneider Electric products, solutions and services ("Offer") with technical specifications and technical characteristics of the performance of the corresponding Offer.

The content of this document is subject to revision at any time without notice due to continued progress in methodology, design and manufacturing.

To the extent permitted by applicable law, no responsibility or liability is assumed by Schneider Electric and its subsidiaries for any type of damages arising out of or in connection with (i) informational content of this Catalog not conforming with or exceeding the technical specifications, or (ii) any error contained in this Catalog, or (iii) any use, decision, act or omission made or taken on basis of or in reliance on any information contained or referred to in this Catalog.

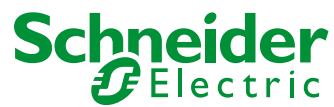
SCHNEIDER ELECTRIC MAKES NO WARRANTY OR REPRESENTATION OF ANY KIND, WHETHER EXPRESS OR IMPLIED, AS TO WHETHER THIS CATALOG OR ANY INFORMATION CONTAINED THEREIN SUCH AS PRODUCTS AND SERVICES WILL MEET REQUIREMENTS, EXPECTATIONS OR PURPOSE OF ANY PERSON MAKING USE THEREOF.

Schneider Electric brand and any trademarks of Schneider Electric and its subsidiaries referred to in this Catalog are property of Schneider Electric or its subsidiaries. All other brands are trademarks of their respective owners.

This Catalog and its content are protected under applicable copyright laws and provided for informative use only. No part of this Catalog may be reproduced or transmitted in any form or by any means (electronic, mechanical, photocopying, recording, or otherwise), for any purpose, without the prior written permission of Schneider Electric.

Copyright, intellectual, and all other proprietary rights in the content of this Catalog (including but not limited to software, audio, video, text, and photographs) rests with Schneider Electric or its licensors. All rights in such content not expressly granted herein are reserved. No rights of any kind are licensed or assigned or shall otherwise pass to persons accessing this information.

Life Is On



Learn more about our products at [www.se.com](http://www.se.com)

Création : Schneider Electric  
Photos : Schneider Electric

**Schneider Electric Industries SAS**

Head Office  
35, rue Joseph Monier - CS 30323  
F-92500 Rueil-Malmaison Cedex  
France

DIA5ED2250401EN  
April 2025 - V1.0