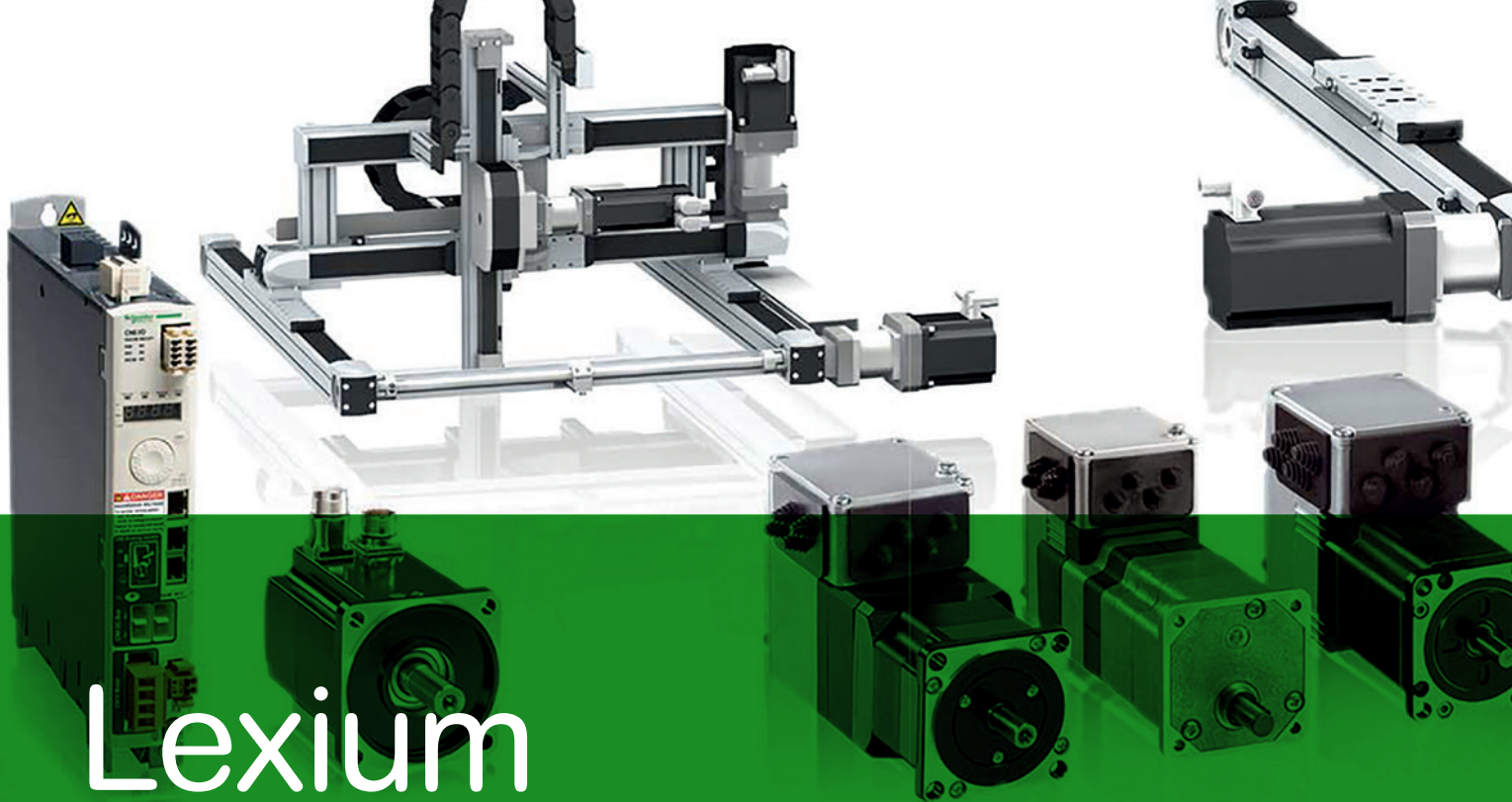




# Lexium STS

SCARA robots for fast positioning solutions



## Discover [Lexium](#)

Advanced motion control and robotics

**Lexium** servo drives, motors, and robotics series are designed for a broad range of motion-centric machines. From single-axis to high-performance multi-axis machines, the **Lexium** range enables high-speed movements and precise positioning in packaging, material handling, material working, electronics, and food and beverage applications.

## Explore our offer

- [Lexium Servo Drives and Motors](#)
- [Lexium Integrated Servo Drives](#)
- [Lexium Robotics](#)
- [Lexium Stepper Drives](#)

Life Is On

**Schneider**  
Electric

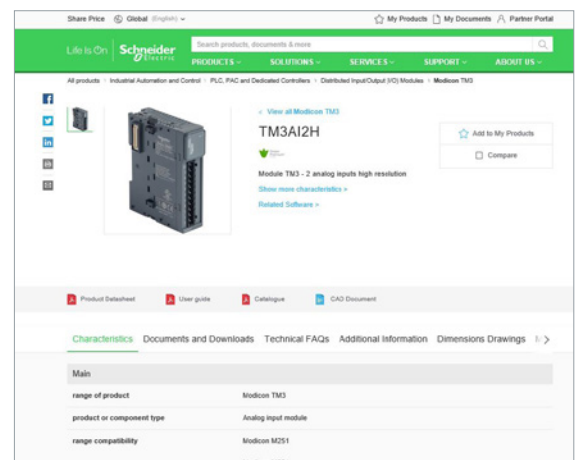
# Quick access to product information

## Get technical information about your product

References

**Modicon TM3**  
I/O expansion modules for Modicon controllers  
Analog I/O modules

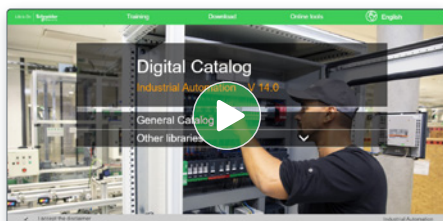
| Number and type of channels         | Input range  | Output range             | Resolution                   | Input terminal (Modicon) | Reference | Weight |
|-------------------------------------|--|--------------------------|------------------------------|--------------------------|-----------|--------|
| 2 enhancement inputs                | -10...+10 VDC<br>0...20 mA, 4...20 mA  | 10 mA or<br>10 mA + sign | 12 bits or<br>12 bits + sign | TER312                   | TM3AI2H   | 0,110  |
| 4 enhancement inputs                | -10...+10 VDC<br>0...20 mA, 4...20 mA  | 10 mA or<br>10 mA + sign | 12 bits or<br>12 bits + sign | TER312                   | TM3AI4H   | 0,130  |
| 4 enhancement or temperature inputs | -10...+10 VDC<br>0...20 mA, 4...20 mA<br>PT100, RTD, Ni100, Ni200, Ni500, Ni1000, Pt100, Pt200 | 10 mA or<br>10 mA + sign | 12 bits or<br>12 bits + sign | TER312                   | TM3AI4T   | 0,130  |
| 4 differential temperature inputs   | -10...+10 VDC<br>0...20 mA, 4...20 mA  | 10 mA or<br>10 mA + sign | 12 bits or<br>12 bits + sign | TER312                   | TM3AI4D   | 0,130  |
| 2 enhancement                       | -10...+10 VDC  | 10 mA or<br>10 mA + sign | 12 bits or<br>12 bits + sign | TER312                   | TM3AI2H   | 0,110  |



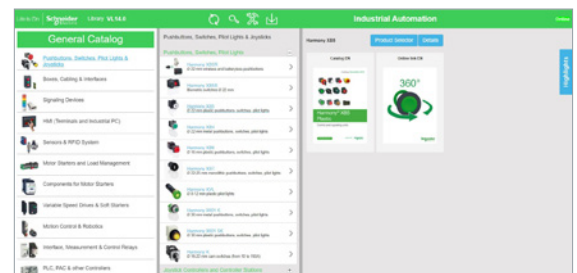
Each commercial reference presented in a catalog contains a hyperlink. Click on it to obtain the technical information of the product:

- Characteristics, Dimensions and drawings, Mounting and clearance, Connections and schemas, Performance curves
- Product image, Instruction sheet, User guide, Product certifications, End of life manual

## Find your catalog



- > With just 3 clicks, you can access the Industrial Automation and Control catalogs, in both English and French
- > Consult digital automation catalogs at [Digi-Cat Online](#)

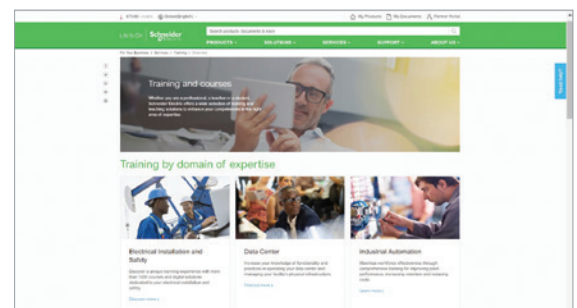


- Up-to-date catalogs
- Embedded product selectors, 360° pictures
- Optimized search by commercial references

## Select your training



- > Find the right [Training](#) for your needs on our Global website
- > Locate the training center with the selector tool, using this [link](#)



# General content

## Lexium STS

SCARA robots for fast positioning solution

### ■ Presentation

- Application ..... [page 2](#)
- Structure of offer ..... [page 2](#)
- Equipment ..... [page 2](#)
- Characteristics ..... [page 2](#)
- Options ..... [page 2](#)
- Complementary of offers ..... [page 3](#)

### ■ Description

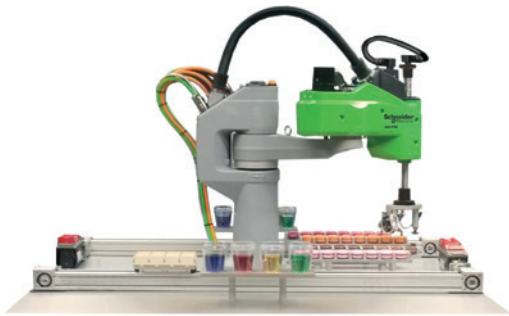
- Lexium STS robots ..... [page 4](#)
- Connection plate ..... [page 5](#)

### ■ Type code ..... [page 5](#)

### ■ References

- STS40 robots: 400 mm range (15.74 in.) ..... [page 6](#)
- STS60 robots: 600 mm range (23.62 in.) ..... [page 6](#)
- STS80 robots: 800 mm range (31.50 in.) ..... [page 7](#)
- Replacement equipments ..... [pages 8 to 11](#)
- Optional equipments ..... [page 11](#)
- Connection elements
  - Motor cables ..... [page 12](#)
  - Power cables ..... [page 12](#)
  - Encoder cables ..... [page 13](#)
  - CANopen bus cables ..... [page 13](#)
  - IO cables ..... [page 13](#)

### ■ Index ..... [page 14](#)



Lexium STS robots guarantee ultra-short cycle times for handling and packaging applications

### Presentation

#### Application

The Lexium STS robots are industrial manipulative robots, in charge of handling pieces for storage - destocking, palletizing - depalletization, loading - unloading machine tool, handling of test pieces, assembly of parts, and many others.

This robotic solution is developed as an add-on to PacDrive 3 automation solutions, designed to satisfy growing customer demand, for robots as an integral part of machine design, in packaging and handling machinery, focused on food & beverage, pharmaceuticals and consumer goods.

#### Lexium STS offer

The Lexium STS robot offer is used for high speed picking:

- > with four axis SCARA robots
- > up to 100 cycles per minute
- > with a max. of 800 mm range (31.50 in)
- > with a payload capacity of up to 8 kg (17.6 lb)
- > with a position repeatability (ISO 9283) of  $\pm 0,01$  mm ( $\pm 0.004$  in)

#### Lexium STS robot structure

- > Two types of robots are available distinguished by the mounting : floor mounting, or wall mounting, enhancing flexibility and integration of the Lexium STS robot in automation lines
- > Three sizes of arm are available giving up to three ranges of working space:
  - STS40: 400 mm (15.74 in)
  - STS60: 600 mm (23.62 in)
  - STS80: 800 mm (31.50 in)
- > Each size of arm is available with two strokes of ball screw ( $\varnothing 25$  mm /  $\varnothing 0.98$  in)
  - 200 mm (7,87 in)
  - 400 mm (15.74 in)

#### Equipment

- > Lexium STS robots are equipped with four motors (one per axis) and the movement transmission mechanisms,
- > Depending on models they are delivered with the following equipments:
  - the User IO cable with six wires to be used on customer's needs (inputs, outputs, ...)
  - the ARMIO board for up to 8 digital IO and 4 analogue IO (this including the User IO cable):

| User interface       |                                       |                              |                                     |                                     |
|----------------------|---------------------------------------|------------------------------|-------------------------------------|-------------------------------------|
| Available on forearm |                                       | Available on the tool flange |                                     |                                     |
| Standard equipment   | with ARMIO board                      | Standard equipment           | with ARMIO board                    | with tool connector                 |
| -                    | 8 digital inputs, 8 digital outputs   | -                            | 8 digital inputs, 8 digital outputs | 5 digital inputs, 8 digital outputs |
| -                    | 4 analogue inputs, 4 analogue outputs | -                            | -                                   | -                                   |

- A plastic bellow to protect the ball screw against dust, liquid splashes, is available in two sizes, fitting the two ball screw models
- > System cables: required cables are provided by Schneider Electric: Power cables, Encoder cables, Sercos cables, Digital Input/Output, and CANopen bus cable, available in various lengths up to 30 m (98.43 in)
- > Lexium STS robots are delivered without gripper. Grippers can be ordered by specialist manufacturers

#### Characteristics

- > Protection class: IP54
- > Cleanliness class: 6 according to standard ISO 14644-1 (when equipped with bellow)
- > Certification: CE, UL, KCs

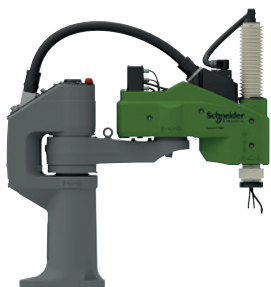
#### Options for Lexium STS robots

- > Lexium STS robots are delivered with a green cover of the forearm (axis 2): the forearm can be delivered with a special optional colour: see page PD313/11
- > A specific tool connector is available to modify the fixation of a gripper from circular to square: see page PD313/11

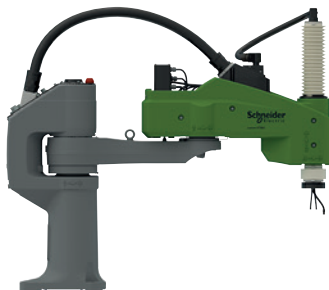
SCARA: Selective Compliance Articulated Robot Arm



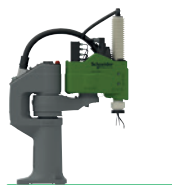
STS40



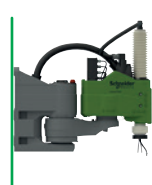
STS60



STS80



Floor mounting



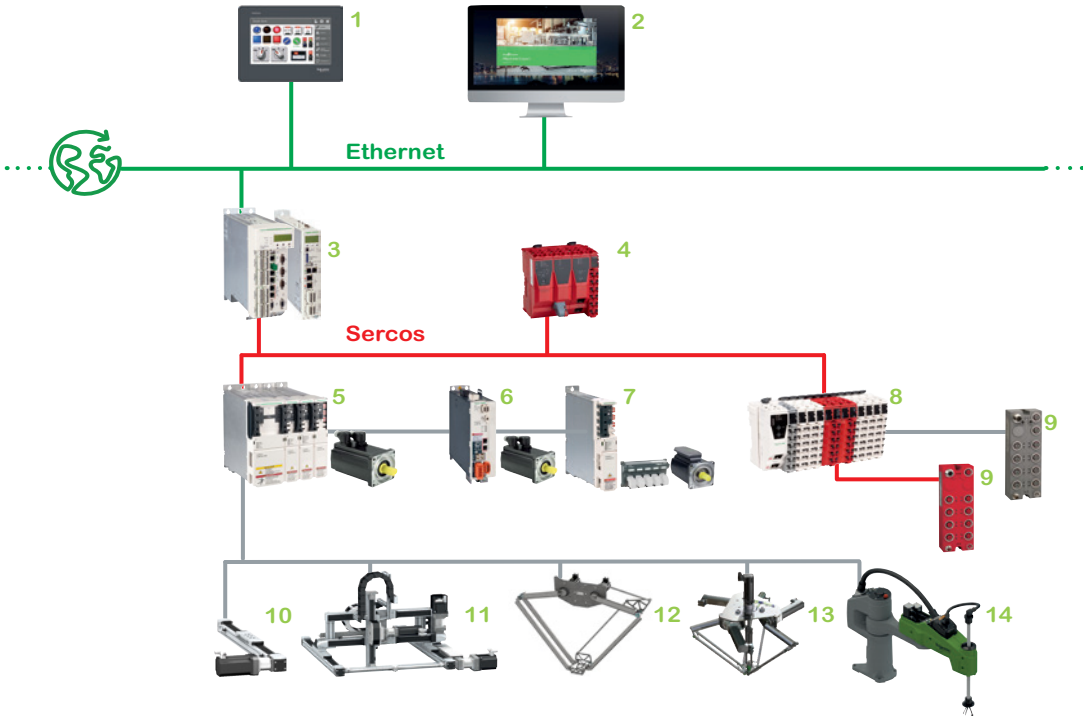
Wall mounting

**Presentation (continued)**

**Complementary of offers**

- > Lexium STS robots are integrated into PacDrive 3 system:
  - Lexium 62 servo drives series (1) control the Lexium STS range of robots
  - Lexium 62 power supply modules provide the DC supply

*Connecting the Power supply: the Lexium 62 power supply has to be connected in 1- or 3-phase with 230 Vac mode providing 320 Vdc DC nominal bus voltage. Voltages less than the nominal voltage may degrade the performance of the system significantly. Greater voltages may render the equipment inoperable. For further information, please contact your local Schneider Electric service representative.*
- > Schneider Electric provides also Lexium MAX robots (Multi-axes systems for 1, 2 or 3 dimensional positioning solutions), Lexium T, P robots (Delta robots for pick and place solutions) (1).



- 1 Harmony STO touch panel
- 2 EcoStruxure Machine Expert: configuration software (2)
- 3 PacDrive LMC Eco/Pro/Pro2: Motion controller for automating machines/lines with 0 - 130 servo or robot axes
- 4 Modicon TM5CSLC: Safety logic controller
- 5 Lexium 62 & Motors: Multi axis servo system and servo motors
- 6 Lexium 52 & Motors: Stand alone servo drives and servo motors
- 7 Lexium 62 ILM: Multiaxis integrated servo drives
- 8 Modicon TM5: Sercos interface module, safety IO expansion module, and IO expansion module (IP 20)
- 9 Modicon TM7: expansion module and safety expansion module (IP 67)
- 10 Lexium PAS: portal axes with fixed axis body
- 11 Lexium MAX: multi-axes systems for 1, 2 or 3 dimensional positioning solutions
- 12 Lexium T : Delta 2 robot for pick & place solutions
- 13 Lexium P: Delta 3 robots for pick & place solutions
- 14 Lexium STS: SCARA robot for fast positioning solutions

(1) Please refer to the catalogs listed below (click on [reference](#) to open the catalog)



[DIA7ED2160303EN](#)



[DIA7ED2160305EN](#)



[DIA7ED2160306EN](#)

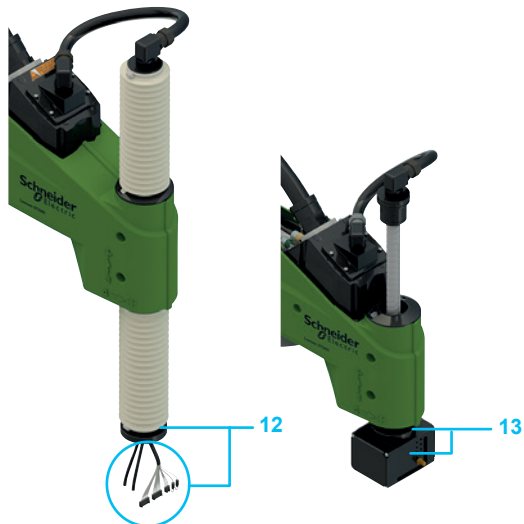
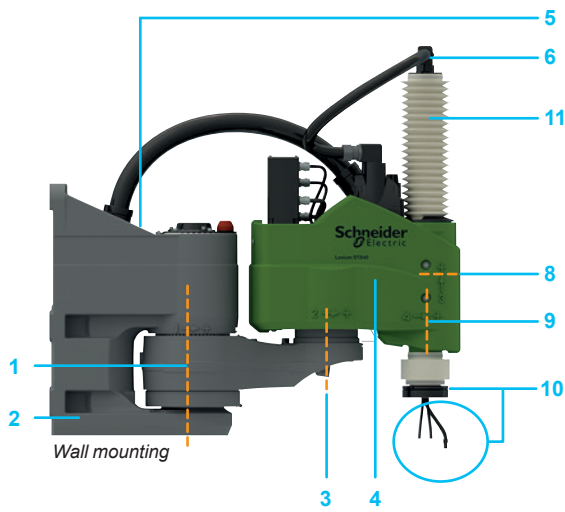
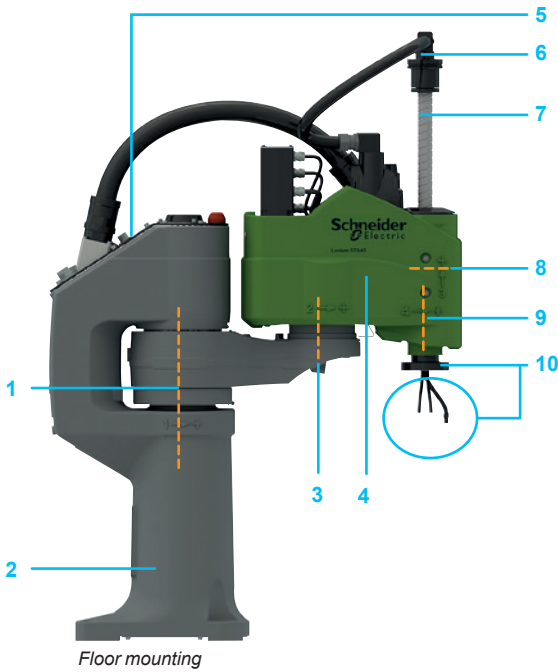


[DIA7ED2170704EN](#)



[DIA3ED2160307EN](#)

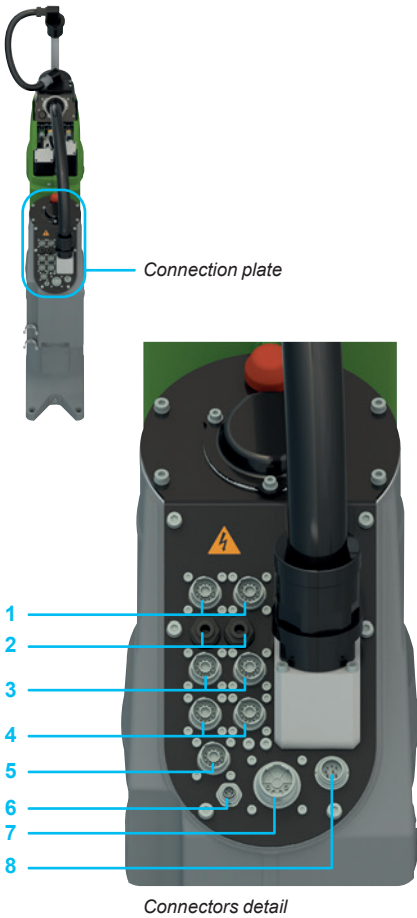
(2) formerly named SoMachine Motion



## Description

### Lexium STS robot

- 1 Axis 1 (including motor) ; first arm
- 2 Mounting foot (floor mounting) / Mounting arm (wall mounting)
- 3 Axis 2 (including motor)
- 4 Forearm (second arm) with green cover as standard equipment
- 5 Connection plate, for encoder, pneumatic, power and IO cables
- 6 User IO cable (standard equipment)
- 7 Ball screw (Ø 25 mm (0.98 in.), stroke 200 or 400 mm (7.87 or 15.74 in.)
- 8 Axis 3 (including motor)
- 9 Axis 4 (including motor)
- 10 Tool flange (Gripper holder) equipped with User IO cables
- 11 Ball screw equipped with bellow
- 12 Tool flange (Gripper holder) equipped with ARMIO board and User IO cables
- 13 Tool flange with optional tool connector



## Description (continued)

### Connection plate

- 1 Two connectors for motor axis 4: encoder connection (marked X1214) and power connection (marked X1224)
- 2 Two connectors for pneumatic connections (marked P1 and P2)
- 3 Two connectors for motor axis 3: encoder connection (marked X1213) and power connection (marked X1223)
- 4 Two connectors for motor axis 2: encoder connection (marked X1212) and power connection (marked X1222)
- 5 One connector for motor axis 1: encoder connection (marked X1211)
- 6 One connector for 24 V power connection (marked X1210)
- 7 One connector for motor axis 1: power connection (marked X1221)
- 8 One connector for CANopen bus or I/O connection

## Type code

|                              |   | LXMSTS | ● | ● | ● | ● | ●● | ●●● |
|------------------------------|---|--------|---|---|---|---|----|-----|
| Example                      | LXMSTS  |        | 4 | 0 | F | 2 | A2 | 000 |
| <b>Range</b>                 |   |        |   |   |   |   |    |     |
| <b>LXMSTS</b>                |   |        |   |   |   |   |    |     |
| <b>Range</b>                 |   |        |   |   |   |   |    |     |
| 4                            | 400 mm (15,74 in.)  |        |   |   |   |   |    |     |
| 6                            | 600 mm (23.62 in.)  |        |   |   |   |   |    |     |
| 8                            | 800 mm (31.50 in.)  |        |   |   |   |   |    |     |
| <b>Number of active axes</b> |   |        |   |   |   |   |    |     |
| 0                            | 4 active axes   |        |   |   |   |   |    |     |
| <b>Mounting position</b>     |   |        |   |   |   |   |    |     |
| F                            | Floor mounting  |        |   |   |   |   |    |     |
| W                            | Wall mounting   |        |   |   |   |   |    |     |
| <b>Type of drive of axis</b> |   |        |   |   |   |   |    |     |
| 2                            | Ball screw, stroke 200 mm (7,87 in.)  |        |   |   |   |   |    |     |
| 3                            | Ball screw with bellow for protection of ball screw, stroke 200 mm (7,87 in.)   |        |   |   |   |   |    |     |
| 4                            | Ball screw, stroke 400 mm (15,74 in.)   |        |   |   |   |   |    |     |
| 5                            | Ball screw with bellow for protection of ball screw, stroke 400 mm (15,74 in.)  |        |   |   |   |   |    |     |
| <b>Option</b>                |   |        |   |   |   |   |    |     |
| 00                           | Without option  |        |   |   |   |   |    |     |
| A2                           | With ARMIO board, with User IO cable, for ball screw, stroke 200 mm (7,87 in.)  |        |   |   |   |   |    |     |
| A4                           | With ARMIO board, with User IO cable, for ball screw, stroke 400 mm (15,74 in.) |        |   |   |   |   |    |     |
| <b>Miscellaneous</b>         |   |        |   |   |   |   |    |     |
| 000                          | Reserved for options; e.g. replacement equipment number                         |        |   |   |   |   |    |     |



# Lexium STS

## SCARA robots for fast positioning solutions

### Lexium STS robots

| Robot type | Mounting type | Ball screw stroke (mm /in) | Equipment              |   |                              | Reference | Weight kg /lb |
|------------|---------------|----------------------------|------------------------|---|------------------------------|-----------|---------------|
|            |               |                            | With User IO cable (1) | With ARMIO board and User IO cables (2) | With bellow (size in mm /in) |           |               |

**Range: 400 mm (15.74 in)**



LXMSTS40F200000

|       |                |               |                                     |                                     |   |  |                 |               |
|-------|----------------|---------------|-------------------------------------|-------------------------------------|---|--|-----------------|---------------|
| STS40 | Floor mounting | (200 / 7.87)  | <input checked="" type="checkbox"/> | -                                   | -   | LXMSTS40F200000                                  | 50.000<br>110.2 |               |
|       |                |               | <input checked="" type="checkbox"/> | -                                   | <input checked="" type="checkbox"/> (200 / 7.87)  | LXMSTS40F300000                                  | 50.000<br>110.2 |               |
|       |                | (400 / 15.74) | -                                   | <input checked="" type="checkbox"/> | -   | LXMSTS40F2A2000                                  | 50.000<br>110.2 |               |
|       |                |               | -                                   | <input checked="" type="checkbox"/> | <input checked="" type="checkbox"/> (200 / 7.87)  | LXMSTS40F3A2000                                  | 50.000<br>110.2 |               |
|       |                | Wall mounting | (200 / 7.87)                        | <input checked="" type="checkbox"/> | -   | -  | LXMSTS40W200000 | 48.300<br>106 |
|       |                |               |                                     | <input checked="" type="checkbox"/> | -   | <input checked="" type="checkbox"/> (200 / 7.87) | LXMSTS40W300000 | 48.300<br>106 |
|       |                |               | (400 / 15.74)                       | -                                   | <input checked="" type="checkbox"/>               | -  | LXMSTS40W2A2000 | 48.300<br>106 |
|       |                |               |                                     | -                                   | <input checked="" type="checkbox"/>               | <input checked="" type="checkbox"/> (200 / 7.87) | LXMSTS40W3A2000 | 48.300<br>106 |
|       | (400 / 15.74)  |               | <input checked="" type="checkbox"/> | -                                   | -   | LXMSTS40W400000                                  | 48.300<br>106   |               |
|       |                |               | <input checked="" type="checkbox"/> | -                                   | <input checked="" type="checkbox"/> (400 / 15.74) | LXMSTS40W500000                                  | 48.300<br>106   |               |
|       |                |               | -                                   | <input checked="" type="checkbox"/> | -   | LXMSTS40W4A4000                                  | 48.300<br>106   |               |
|       |                |               | -                                   | <input checked="" type="checkbox"/> | <input checked="" type="checkbox"/> (400 / 15.74) | LXMSTS40W5A4000                                  | 48.300<br>106   |               |



LXMSTS40W200000

**Range: 600 mm 23.62 in)**



LXMSTS60F200000

|       |                |               |                                     |                                     |   |  |                 |               |
|-------|----------------|---------------|-------------------------------------|-------------------------------------|---|--|-----------------|---------------|
| STS60 | Floor mounting | (200 / 7.87)  | <input checked="" type="checkbox"/> | -                                   | -   | LXMSTS60F200000                                  | 55.400<br>122   |               |
|       |                |               | <input checked="" type="checkbox"/> | -                                   | <input checked="" type="checkbox"/> (200 / 7.87)  | LXMSTS60F300000                                  | 55.400<br>122   |               |
|       |                | (400 / 15.74) | -                                   | <input checked="" type="checkbox"/> | -   | LXMSTS60F2A2000                                  | 55.400<br>122   |               |
|       |                |               | -                                   | <input checked="" type="checkbox"/> | <input checked="" type="checkbox"/> (200 / 7.87)  | LXMSTS60F3A2000                                  | 55.400<br>122   |               |
|       |                | Wall mounting | (200 / 7.87)                        | <input checked="" type="checkbox"/> | -   | -  | LXMSTS60W200000 | 53.700<br>118 |
|       |                |               |                                     | <input checked="" type="checkbox"/> | -   | <input checked="" type="checkbox"/> (200 / 7.87) | LXMSTS60W300000 | 53.700<br>118 |
|       |                |               | (400 / 15.74)                       | -                                   | <input checked="" type="checkbox"/>               | -  | LXMSTS60W2A2000 | 53.700<br>118 |
|       |                |               |                                     | -                                   | <input checked="" type="checkbox"/>               | <input checked="" type="checkbox"/> (200 / 7.87) | LXMSTS60W3A2000 | 53.700<br>118 |
|       | (400 / 15.74)  |               | <input checked="" type="checkbox"/> | -                                   | -   | LXMSTS60W400000                                  | 53.700<br>118   |               |
|       |                |               | <input checked="" type="checkbox"/> | -                                   | <input checked="" type="checkbox"/> (400 / 15.74) | LXMSTS60W500000                                  | 53.700<br>118   |               |
|       |                |               | -                                   | <input checked="" type="checkbox"/> | -   | LXMSTS60W4A4000                                  | 53.700<br>118   |               |
|       |                |               | -                                   | <input checked="" type="checkbox"/> | <input checked="" type="checkbox"/> (400 / 15.74) | LXMSTS60W5A4000                                  | 53.700<br>118   |               |



LXMSTS60W200000

(1) Six wires already prepared to reduce the customer's wiring effort to be used on customer's needs which could be digital or analogue inputs or outputs. 24V power supply, etc.  
 (2) 8 digital inputs. 8 digital outputs. 4 analogue inputs. 4 analogue outputs

# Lexium STS

## SCARA robots for fast positioning solutions

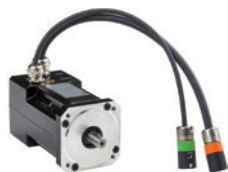
| Lexium STS robots (continued)   |                                     |   |   |   |   |                                     |                                     |   |                 |                 |              |
|---|-------------------------------------|---|---|---|---|-------------------------------------|-------------------------------------|---|-----------------|-----------------|--------------|
| Robot type  | Mounting type                       | Ball screw stroke (mm /in)                        | Equipment   |   |   | Reference                           | Weight kg /lb                       |   |                 |                 |              |
|   |                                     |   | With User IO cable (1)  | With ARMIO board and User IO cables (2) | With bellow (size in mm /in)                      |                                     |                                     |   |                 |                 |              |
| <b>Range: 800 mm (31.50 in)</b>   |                                     |   |   |   |   |                                     |                                     |   |                 |                 |              |
|  <p>LXMSTS80F200000</p> | Floor mounting                      | (200 / 7.87)                                      | <input checked="" type="checkbox"/>   | -                                       | -   | LXMSTS80F200000                     | 56.800 / 125                        |   |                 |                 |              |
|   |                                     |   | <input checked="" type="checkbox"/>   | -                                       | <input checked="" type="checkbox"/> (200 / 7.87)  | LXMSTS80F300000                     | 56.800 / 125                        |   |                 |                 |              |
|   |                                     |   | -   | <input checked="" type="checkbox"/>     | -   | LXMSTS80F2A2000                     | 56.800 / 125                        |   |                 |                 |              |
|   |                                     |   | -   | <input checked="" type="checkbox"/>     | <input checked="" type="checkbox"/> (200 / 7.87)  | LXMSTS80F3A2000                     | 56.800 / 125                        |   |                 |                 |              |
|   |                                     |   | (400 / 15.74)   | <input checked="" type="checkbox"/>     | -   | -                                   | LXMSTS80F400000                     | 56.800 / 125                                      |                 |                 |              |
|   |                                     |   | <input checked="" type="checkbox"/>   | -                                       | <input checked="" type="checkbox"/> (400 / 15.74) | LXMSTS80F500000                     | 56.800 / 125                        |   |                 |                 |              |
|   |                                     |   | -   | <input checked="" type="checkbox"/>     | -   | LXMSTS80F4A4000                     | 56.800 / 125                        |   |                 |                 |              |
|   |                                     |   | -   | <input checked="" type="checkbox"/>     | <input checked="" type="checkbox"/> (400 / 15.74) | LXMSTS80F5A4000                     | 56.800 / 125                        |   |                 |                 |              |
|   |                                     |   |  <p>LXMSTS80W200000</p> | Wall mounting                           | (200 / 7.87)                                      | <input checked="" type="checkbox"/> | -                                   | -   | LXMSTS80W200000 | 54.900 / 121    |              |
|   |                                     |   |   |   |   | <input checked="" type="checkbox"/> | -                                   | <input checked="" type="checkbox"/> (200 / 7.87)  | LXMSTS80W300000 | 54.900 / 121    |              |
|   |                                     |   |   |   |   | -                                   | <input checked="" type="checkbox"/> | -   | LXMSTS80W2A2000 | 54.900 / 121    |              |
|   |                                     |   |   |   |   | -                                   | <input checked="" type="checkbox"/> | <input checked="" type="checkbox"/> (200 / 7.87)  | LXMSTS80W3A2000 | 54.900 / 121    |              |
|   |                                     |   |   |   |   | (400 / 15.74)                       | <input checked="" type="checkbox"/> | -   | -               | LXMSTS80W400000 | 54.900 / 121 |
|   |                                     |   |   |   |   | <input checked="" type="checkbox"/> | -                                   | <input checked="" type="checkbox"/> (400 / 15.74) | LXMSTS80W500000 | 54.900 / 121    |              |
| -   | <input checked="" type="checkbox"/> | -   |   |   |   | LXMSTS80W4A4000                     | 54.900 / 121                        |   |                 |                 |              |
| -   | <input checked="" type="checkbox"/> | <input checked="" type="checkbox"/> (400 / 15.74) |   |   |   | LXMSTS80W5A4000                     | 54.900 / 121                        |   |                 |                 |              |

(1) Six wires already prepared to reduce the customer's wiring effort to be used on customer's needs which could be digital or analogue inputs or outputs. 24V power supply, etc.

(2) Eight digital inputs. 8 digital outputs. 4 analogue inputs. 4 analogue outputs



LXMSTSYYYYY001



LXMSTSYYYYY002



LXMSTSYYYYY003



LXMSTSYYYYY004



LXMSTSYYYYY005



LXMSTSYYYYY006



LXMSTSYYYYY007



LXMSTSYYYYY008



LXMSTSYYYYY009



LXMSTSYYYYY010



LXMSTSYYYYY011



LXMSTSYYYYY012



LXMSTSYYYYY013



LXMSTSYYYYY014

### Replacement equipments for Lexium STS robots

| Designation                        | Use with robot type | Description  | Reference                      | Weight<br>kg<br>lb |
|------------------------------------|---------------------|--|--------------------------------|--------------------|
| <b>Motors for axis</b>             | STS40, STS60, STS80 | 1x motor for axis 1  | <a href="#">LXMSTSYYYYY001</a> | 4.674<br>10.304    |
|                                    | STS40, STS60, STS80 | 1x motor for axis 2  | <a href="#">LXMSTSYYYYY002</a> | 2.240<br>4.938     |
|                                    | STS40, STS60, STS80 | 1x motor for axis 3  | <a href="#">LXMSTSYYYYY003</a> | 2.090<br>4.607     |
|                                    | STS40               | 1x motor for axis 4  | <a href="#">LXMSTSYYYYY004</a> | 1.200<br>2.645     |
|                                    | STS60, STS80        | 1x motor for axis 4  | <a href="#">LXMSTSYYYYY005</a> | 1.720<br>3.791     |
| <b>Gearbox set for axis 1</b>      | STS40               | 1x gearbox for axis 1<br>2x shaft seal ring<br>1x O-ring axis 1 (bulky)<br>1x O-ring axis 1 (fine)<br>1x O-ring axis 1<br>16x washer<br>16x screw M6 x 65<br>1x O-ring motor axis 1<br>18x screw M8 x 60 | <a href="#">LXMSTSYYYYY006</a> | 7.531<br>16.603    |
|                                    | STS60, STS80        | 1x gearbox for axis 1<br>2x shaft seal ring<br>1x O-ring axis 1 (bulky)<br>1x O-ring axis 1 (fine)<br>1x O-ring axis 1<br>16x washer<br>16x screw M6 x 65<br>1x O-ring motor axis 1<br>18x screw M8 x 60 | <a href="#">LXMSTSYYYYY007</a> | 6.961<br>15.346    |
| <b>Gearbox set for axis 2</b>      | STS40               | 1x gearbox for axis 2<br>16x screw M4 x 20<br>12x screw M4 x 35<br>1x screw M4 x 30<br>12x screw M4 x 40<br>1x O-Ring<br>1x O-Ring<br>1x shaft seal ring<br>1x retaining ring<br>1 metal ring            | <a href="#">LXMSTSYYYYY008</a> | 4.517<br>9.958     |
|                                    | STS60, STS80        | 1x gearbox for axis 2<br>16x screw M4 x 20<br>12x screw M4 x 35<br>1x screw M4 x 30<br>12x screw M4 x 40<br>1x O-Ring<br>1x O-Ring<br>1x shaft seal ring<br>1x retaining ring<br>1x metal ring           | <a href="#">LXMSTSYYYYY009</a> | 5.067<br>11.170    |
| <b>Intermediate gearbox axis 4</b> | STS40               | 1x gearbox for axis 4  | <a href="#">LXMSTSYYYYY010</a> | 0.900<br>1.984     |
| <b>Gearbox axis 4</b>              | STS60, STS80        | 1x gearbox for axis 4  | <a href="#">LXMSTSYYYYY011</a> | 1.500<br>3.306     |
| <b>Toothed belt set for axis 4</b> | STS40               | 1x toothed belt axis 4<br>1x toothed belt axis 3<br>1x deflection pulley<br>3x bearing sleeve<br>1x belt tightener<br>2x washer<br>3x screw M5 x 40<br>1x deflection pulley                              | <a href="#">LXMSTSYYYYY012</a> | 0.169<br>0.372     |
|                                    | STS60               | 1x toothed belt axis 4 - short<br>1x toothed belt axis 4<br>1x toothed belt axis 3<br>2x deflection pulley<br>6x bearing sleeve<br>4x belt tightener<br>6x washer<br>6x screw M5 x 40                    | <a href="#">LXMSTSYYYYY013</a> | 0.415<br>0.914     |
|                                    | STS80               | 1x toothed belt axis 4 - short<br>1x toothed belt axis 4<br>1x toothed belt axis 3<br>2x deflection pulley<br>6x bearing sleeve<br>4x belt tightener<br>6x washer<br>6x screw M5 x 40                    | <a href="#">LXMSTSYYYYY014</a> | 0.313<br>0.690     |



LXMSTSYYYYYY015



LXMSTSYYYYYY016



LXMSTSYYYYYY017



LXMSTSYYYYYY018



LXMSTSYYYYYY019  
LXMSTSYYYYYY020



LXMSTSYYYYYY021



LXMSTSYYYYYY022



LXMSTSYYYYYY023



LXMSTSYYYYYY024



LXMSTSYYYYYY025



LXMSTSYYYYYY026  
LXMSTSYYYYYY028  
LXMSTSYYYYYY030



LXMSTSYYYYYY027  
LXMSTSYYYYYY029  
LXMSTSYYYYYY031

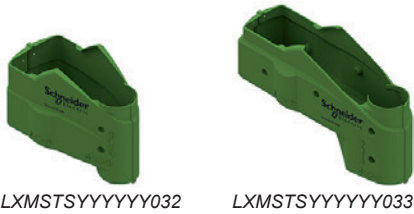
### Replacement equipments for Lexium STS robots (continued)

| Designation                                      | Use with robot type                             | Description   | Reference                       | Weight<br>kg<br>lb              |
|--|---|---|---------------------------------|---------------------------------|
| <b>Standard lubricant</b>                        | STS40, STS60, STS80                             | 1x oil Castrol optigear synthetic RO 150: 1L for axis 1<br>1x oil ROBOLUB 68-S: 1L for axis 2<br>1x grease for ball screw<br>1x spray for toothed belts                   | <a href="#">LXMSTSYYYYYY015</a> | 2.301<br>5.072                  |
| <b>H1 foodgrade lubricant</b>                    | STS40, STS60, STS80                             | 1x oil H1 for axis 1 and axis 2<br>1x grease H1 for ball screw, 1 kg (2.2 lb)<br>1x spray for toothed belts   | <a href="#">LXMSTSYYYYYY016</a> | 1.355<br>2.987                  |
| <b>Ball screw</b>                                | STS40, STS60, STS80                             | Ø 25 mm (0.98 in), height 200 mm (7,87 in)  | <a href="#">LXMSTSYYYYYY017</a> | 1.904<br>4.197                  |
|  | STS40, STS60, STS80                             | Ø 25 mm (0.98 in), height 400 mm (15,74 in)   | <a href="#">LXMSTSYYYYYY018</a> | 2.304<br>5.079                  |
| <b>Bellow sets</b>                               | Use with LXMSTSYYYYYY017 on STS40, STS60, STS80 | Height 200 mm (7,87 in)<br>Ø 25 mm (0.98 in)  | <a href="#">LXMSTSYYYYYY019</a> | 1.200<br>2.645                  |
|  | Use with LXMSTSYYYYYY018 on STS40, STS60, STS80 | Height 400 mm (15,74 in)<br>Ø 25 mm (0.98 in)   | <a href="#">LXMSTSYYYYYY020</a> | 1.200<br>2.645                  |
| <b>Pinion quills</b>                             | STS40, STS60, STS80                             | For axis 3  | <a href="#">LXMSTSYYYYYY021</a> | 0.960<br>2.116                  |
|  | STS40   | For axis 4  | <a href="#">LXMSTSYYYYYY022</a> | 0.110<br>0.242                  |
|  | STS60, STS80                                    | For axis 4  | <a href="#">LXMSTSYYYYYY023</a> | 0.150<br>0.330                  |
| <b>ARMIO board - for 8 optional I/O - module</b> | STS40, STS60, STS80                             | Mounted under the harness cover of the forearm  | <a href="#">LXMSTSYYYYYY024</a> | 0.100<br>0.220                  |
| <b>Tool connector set</b>                        | STS40, STS60, STS80                             | Change for square fixation of the gripper including Valves<br>4x screw CHc M6x16<br>4x safety washer<br>1x square bracket<br>2x screw CHc M3x12<br>2x washer DIN 125-A3,2 | <a href="#">LXMSTSYYYYYY025</a> | 1.000<br>2.204                  |
|  | <b>User IO cables</b>                           | STS40   | Length: 200 mm (7,87 in)        | <a href="#">LXMSTSYYYYYY026</a> |
| Length: 400 mm (15,74 in)                        |   |   | <a href="#">LXMSTSYYYYYY027</a> | 0.900<br>1.984                  |
| STS60  |   | Length: 200 mm (7,87 in)  | <a href="#">LXMSTSYYYYYY028</a> | 0.760<br>1.675                  |
|  |   | Length: 400 mm (15,74 in)   | <a href="#">LXMSTSYYYYYY029</a> | 0.760<br>1.675                  |
| STS80  |   | Length: 200 mm (7,87 in)  | <a href="#">LXMSTSYYYYYY030</a> | 0.760<br>1.675                  |
|  |   | Length: 400 mm (15,74 in)   | <a href="#">LXMSTSYYYYYY031</a> | 1.650<br>3.637                  |

(1) H1 lubricants may be used in applications where accidental contact with food may occur. This accidental contact is limited to a trace: it must not exceed 10 parts per million (0.001%), otherwise the food is considered dangerous for consumption.

# Lexium STS

## SCARA robots for fast positioning solutions



LXMSTSYYYYY032

LXMSTSYYYYY033



LXMSTSYYYYY034

LXMSTSYYYYY035  
LXMSTSYYYYY036  
LXMSTSYYYYY037



LXMSTSYYYYY038



LXMSTSYYYYY039



LXMSTSYYYYY400



LXMSTSYYYYY600

### Replacement equipments for Lexium STS robots

| Designation                       | Use with robot type       | Description  | Reference                      | Weight<br>kg<br>lb |
|-----------------------------------|---------------------------|--|--------------------------------|--------------------|
| <b>Covers for forearm</b>         | STS40                     | Colour (RAL 6018)  | <a href="#">LXMSTSYYYYY032</a> | 0.600<br>1.322     |
|                                   | STS60                     | Colour (RAL 6018)  | <a href="#">LXMSTSYYYYY033</a> | 0.740<br>1.631     |
|                                   | STS80                     | Colour (RAL 6018)  | <a href="#">LXMSTSYYYYY034</a> | 0.940<br>2.072     |
| <b>Cable harness</b>              | STS40                     | -  | <a href="#">LXMSTSYYYYY035</a> | 4.000<br>8.818     |
|                                   | STS60                     | -  | <a href="#">LXMSTSYYYYY036</a> | 4.000<br>8.818     |
|                                   | STS80                     | -  | <a href="#">LXMSTSYYYYY037</a> | 4.000<br>8.818     |
| <b>Bumpers</b>                    | STS40,<br>STS60,<br>STS80 | For mechanical limit stop axis 1   | <a href="#">LXMSTSYYYYY038</a> | 0.004<br>0.008     |
|                                   | STS40,<br>STS60,<br>STS80 | For mechanical limit stop axis 2   | <a href="#">LXMSTSYYYYY039</a> | 0.940<br>2.072     |
| <b>Replacement equipment sets</b> | STS40                     | Gearbox set axis 1:<br>1x gearbox axis 1<br>1x shaft seal ring<br>1x shaft seal ring<br>1x O-Ring axis 1 STS (bulky)<br>1x O-Ring axis 1 STS (fine)<br>1x O-Ring axis 1 STS<br>16x washer<br>16x screw M6 x 65<br>1x O-Ring motor axis 1 STS<br>18x screw M8 x 60<br>1x gearbox set axis 2 STS40<br>1x intermediate gearbox axis 4 STS40<br><br>Toothed belt Set:<br>1x toothed belt axis 4<br>1x toothed belt axis 3<br>1x deflection pulley<br>3x bearing sleeve<br>1x belt tightener<br>2x washer<br>3x screw M5x40<br>1x deflection pulley STS40<br><br>Oil and grease - standard:<br>1x oil Castrol optigear synthetic RO 150, 1L (axis 1)<br>1x oil Rogolub 68-S 1L (axis 2)<br>1x grease for ball screw<br>1x spray for toothed belts | <a href="#">LXMSTSYYYYY400</a> | 13.101<br>28.882   |
|                                   | STS60                     | Gearbox Set axis 1:<br>1x Gearbox axis 1<br>1x shaft seal ring<br>1x shaft seal ring<br>1x O-Ring axis 1 STS (bulky)<br>1x O-Ring axis 1 STS (fine)<br>1x O-Ring axis 1 STS<br>16x washer<br>16x screw M6 x 65<br>1x O-Ring motor axis 1 STS<br>18x screw M8 x 60<br>1x gearbox SET axis 2 STS40<br>1x gearbox axis 4 STS60/80<br><br>Toothed belt Set:<br>1x toothed belt axis 4 - short<br>1x toothed belt axis 4<br>1x toothed belt axis 3 STS60<br>2x deflection pulley<br>6x bearing sleeve<br>4x belt tightener<br>6x washer<br>6x screw M5x40<br><br>Oil and grease - standard:<br>1x oil Castrol optigear synthetic RO 150, 1L (axis 1)<br>1x oil Rogolub 68-S 1L (axis 2)<br>1x grease for ball screw<br>1x spray for toothed belts | <a href="#">LXMSTSYYYYY600</a> | 12.767<br>28.146   |



LXMSTSYYYYY800



LXMSTSYYYYY100



LXMSTSYYYYY101



LXMSTSYYYYC2000

LXMSTSYYYYL1000



LXMSTSYYYYM1000



LXMSTSYYYYM2000



LXMSTSYYYYT000

### Replacement equipments for Lexium STS robots (continued)

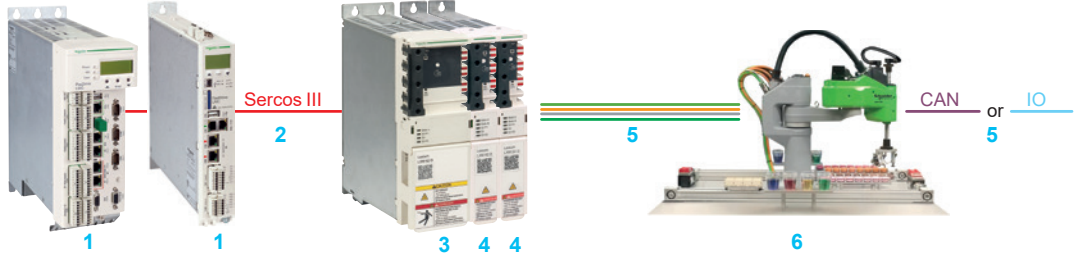
| Designation                       | Use with robot type | Description   | Reference                      | Weight<br>kg<br>lb   |
|-----------------------------------|---------------------|---|--------------------------------|--|
| Replacement equipment set         | STS80               | Gearbox Set Axis 1:<br>1x Gearbox Axis 1<br>1x shaft seal ring<br>1x shaft seal ring<br>1x O-Ring Axis 1 STS (bulky)<br>1x O-Ring Axis 1 STS (fine)<br>1x O-Ring Axis 1 STS<br>16x washer<br>16x screw M6 x 65<br>1x O-Ring motor Axis 1<br>18x screw M8 x 60<br>1x Gearbox Set Axis 2<br>1x Gearbox Axis 4 | <a href="#">LXMSTSYYYYY800</a> | 12.677   |
|                                   |                     | Toothed belt Set:<br>1x toothed belt Axis 4 - short<br>1x toothed belt Axis 3<br>1x toothed belt Axis 4<br>2x deflection pulley<br>6x bearing sleeve<br>4x belt tightener<br>6x washer<br>6x screw M5x40  |                                | 27.948   |
| Replacement equipments for motors | STS40               | 1x motor for axis 1<br>1x motor for axis 2<br>1x motor for axis 3<br>1x motor for axis 4<br>1x pinion axis 3 quill<br>1x pinion axis 4 quill  | <a href="#">LXMSTSYYYYY100</a> | 11.274   |
|                                   |                     | Oil and grease - standard:f<br>1x oil Castrol optigear synthetic RO 150, 1L (axis 1)<br>1x oil Rogolub 68-S 1L (axis 2)<br>1x grease for ball screw<br>1x spray for toothed belts   |                                | 24.854   |
|                                   |                     | STS60,<br>STS80   |                                | 1x motor for axis 1<br>1x motor for axis 2<br>1x motor for axis 3<br>1x motor for axis 4<br>1x pinion axis 3 quill<br>1x pinion axis 4 quill |
|                                   |                     |   | <a href="#">LXMSTSYYYYY101</a> | 26.089   |

### Options for Lexium STS robots

| Designation   | Application  | Reference                       | Weight<br>kg/lb |
|---|--|---------------------------------|-----------------|
| Special color for the cover of axis 2   | Customization of the robot's color<br>For further information, Contact your local Schneider Electric service representative                        | <a href="#">LXMSTSYYYYC2000</a> | –               |
| Mechanical limit stop   | For Axis 1   | <a href="#">LXMSTSYYYYM1000</a> | –               |
|   | For Axis 2   | <a href="#">LXMSTSYYYYM2000</a> | –               |
| Lubrication with H1 oil and grease  | Some applications require Food grade lubricated equipment<br>For further information, Contact your local Schneider Electric service representative | <a href="#">LXMSTSYYYYL1000</a> | –               |
| Tool connector with Armio Board and user IO cable to modify the fixation of a gripper from circular to square | Stroke 200 mm (7,87 in)  | <a href="#">LXMSTSYYYYT2000</a> | –               |
|   | Stroke 400 mm (15.74 in)   | <a href="#">LXMSTSYYYYT4000</a> | –               |

### Connection elements for Lexium STS robots

Example of a system architecture for Lexium STS robots



| Item | Qty | Device reference         | Device type  |
|------|-----|--------------------------|--|
| 1    | 1   | LMC●00C●●●<br>LMC●01C●●● | Motion controller (PacDrive 3 LMC Eco / LMC Pro) (1)   |
| 2    | 3   | VW3E5001R●●●             | Sercos cable (1)   |
| 3    | 1   | LXM62PD84A11000          | Lexium 62 power supply   |
| 4    | 1   | LXM62DD45●21000          | Lexium 62 Single drive (with or without embedded safety) for connection of Lexium STS robot, motor axis 1                  |
|      | 1   | LXM62DD15●21000          | Lexium 62 Single drive (with or without embedded safety) for connection of Lexium STS robot, motor axis 2                  |
|      | 1   | LXM62DU60●21000          | Lexium 62 Double drive (with or without embedded safety) for connection of Lexium STS robot, motor axis 3 and motor axis 4 |
| 5    | 1   | VW3E1143R●●●             | Motor cable for connection of drive and motor axis 1 (2)   |
|      | 3   | FCE319●●●A100            | Power cable for connection of drive and motor axis 2, motor axis 3, and motor axis 4 (2)                                   |
|      | 4   | FCE320●●●A100            | Encoder cable for connection of drive and motors (2)   |
|      | 1   | VW3E1169R●●●             | Power cable for connection of 24 V voltage and for connection of the brake for the axis 3 and axis 4                       |
|      | 1   | VW3E4002R●●●             | Digital I/O cable for connection of digital inputs/outputs at the standard configuration (2)                               |
|      | 1   | VW3E3067R●●●             | CANopen bus cable for connection of CANopen bus at the configuration with ARMIO board (2)                                  |
|      | 6   | 1                        | LXMSTS●●●●●●   |

| Designation | ■ Use<br>■ Description | Length |     | Reference | Weight |    |
|-------------|------------------------|--------|-----|-----------|--------|----|
|             |                        | m      | ft. |           | kg     | lb |

#### Motor cables

**Motor cables** ■ Shielded motor cable from motor axis 1 (connector X1221) on STS40, STS60 and STS80 robots to Lexium 62 single or double drive  
 ■ M23 connector / free wires



VW3E1143R●●●

|    |        |              |        |       |
|----|--------|--------------|--------|-------|
| 5  | 16.40  | VW3E1143R050 | 1.367  | 3.01  |
| 10 | 32.81  | VW3E1143R100 | 2.602  | 5.74  |
| 15 | 49.21  | VW3E1143R150 | 3.837  | 8.46  |
| 20 | 65.62  | VW3E1143R200 | 5.072  | 11.18 |
| 25 | 82.02  | VW3E1143R250 | 6.307  | 13.90 |
| 30 | 98.43  | VW3E1143R300 | 7.542  | 16.63 |
| 45 | 147.63 | VW3E1143R450 | 11.247 | 24.79 |
| 60 | 196.85 | VW3E1143R600 | 12.482 | 27.52 |
| 75 | 246.06 | VW3E1143R750 | 18.657 | 41.13 |

■ Shielded motor cable from motor axis 2 (connector X1222), motor axis 3 (connector X1223) and motor axis 4 (connector X1224) on STS40, STS60 and STS80 robots to Lexium 62 single or double drive  
 ■ S915 connector / free wires

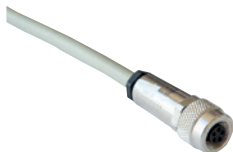


FCE319●●●A100

|    |        |               |        |       |
|----|--------|---------------|--------|-------|
| 5  | 16.40  | FCE319050A100 | 1.140  | 2.51  |
| 10 | 32.81  | FCE319100A100 | 2.270  | 5.00  |
| 15 | 49.21  | FCE319150A100 | 3.400  | 7.50  |
| 20 | 65.62  | FCE319200A100 | 4.530  | 9.98  |
| 25 | 82.02  | FCE319250A100 | 5.660  | 12.47 |
| 30 | 98.43  | FCE319300A100 | 6.790  | 14.96 |
| 45 | 147.63 | FCE319450A100 | 9.600  | 21.16 |
| 60 | 196.85 | FCE319600A100 | 12.800 | 28.22 |
| 75 | 246.06 | FCE319750A100 | 16.100 | 35.49 |

#### Power cables

**Power cables** ■ Shielded power cable for connection of 24 V voltage and for connection of the brake for the axis 3 and axis 4, from connector X1210 on STS40, STS60 and STS80 robots to Lexium 62 single or double drive  
 ■ M9 Serie 712 connector (IP67) / free wires



VW3E1169R●●●

|    |        |              |        |       |
|----|--------|--------------|--------|-------|
| 5  | 16.40  | VW3E1169R050 | 0.200  | 0.44  |
| 10 | 32.81  | VW3E1169R100 | 0.380  | 0.83  |
| 15 | 49.21  | VW3E1169R150 | 0.560  | 1.23  |
| 20 | 65.62  | VW3E1169R200 | 0.740  | 1.63  |
| 25 | 82.02  | VW3E1169R250 | 0.920  | 2.02  |
| 30 | 98.43  | VW3E1169R300 | 1.100  | 2.42  |
| 45 | 147.63 | VW3E1169R450 | 7.100  | 15.65 |
| 60 | 196.85 | VW3E1169R600 | 9.500  | 20.94 |
| 75 | 246.06 | VW3E1169R750 | 11.950 | 26.34 |

(1) The cable length depends on the distance between controller and cabinet.  
 (2) The cable length depends on the distance between cabinet and robot.

| Connection elements for Lexium STS robots (continued)                |   |        |        |                               |        |       |
|--|---|--------|--------|-------------------------------|--------|-------|
| Designation  | ■ Use<br>■ Description  | Length |        | Reference                     | Weight |       |
|  |   | m      | ft.    |                               | kg     | lb    |
| <b>Encoder cables</b>  |   |        |        |                               |        |       |
| <b>Encoder cables</b><br>(feedback cable)                            | <ul style="list-style-type: none"> <li>■ Shielded cable from motor axis 1 (connector X1211), motor axis 2 (connector X1212), motor axis 3 (connector X1213) and motor axis 4 (connector X1214) on STS40, STS60 and STS80 robots to Lexium 52 drive and Lexium 62 single or double drive</li> <li>■ S615 connector / RJ45</li> </ul> | 5      | 16.40  | <a href="#">FCE320050A100</a> | 0.500  | 1.10  |
|  |   | 10     | 32.81  | <a href="#">FCE320100A100</a> | 0.800  | 1.76  |
|  |   | 15     | 49.21  | <a href="#">FCE320150A100</a> | 1.100  | 2.42  |
|  |   | 20     | 65.62  | <a href="#">FCE320200A100</a> | 1.400  | 3.08  |
|  |   | 25     | 82.02  | <a href="#">FCE320250A100</a> | 1.700  | 3.74  |
|  |   | 30     | 98.43  | <a href="#">FCE320300A100</a> | 2.000  | 4.40  |
|  |   | 45     | 147.63 | <a href="#">FCE320450A100</a> | 2.800  | 6.17  |
|  |   | 60     | 196.85 | <a href="#">FCE320600A100</a> | 3.800  | 8.37  |
|  |   | 75     | 246.06 | <a href="#">FCE320750A100</a> | 4.800  | 10.58 |
| <b>CANopen bus cables</b>  |   |        |        |                               |        |       |
| <b>CANopen bus cables</b><br>(If ARMIO board is mounted)             | <ul style="list-style-type: none"> <li>■ Shielded cable from connector X1202 on STS40, STS60, STS80 robots to CANopen bus</li> <li>■ M16 Serie 423 connector / MHD35-9 way connector</li> </ul>   | 5      | 16.40  | <a href="#">VW3E3067R050</a>  | 0.409  | 0.901 |
|  |   | 10     | 32.81  | <a href="#">VW3E3067R100</a>  | 0.749  | 1.65  |
|  |   | 15     | 49.21  | <a href="#">VW3E3067R150</a>  | 1.089  | 2.40  |
|  |   | 20     | 65.62  | <a href="#">VW3E3067R200</a>  | 1.429  | 3.15  |
|  |   | 25     | 82.02  | <a href="#">VW3E3067R250</a>  | 1.769  | 3.89  |
|  |   | 30     | 98.43  | <a href="#">VW3E3067R300</a>  | 2.109  | 4.64  |
|  |   | 45     | 147.63 | <a href="#">VW3E3067R450</a>  | 2.700  | 5.95  |
|  |   | 60     | 196.85 | <a href="#">VW3E3067R600</a>  | 3.600  | 7.93  |
|  |   | 75     | 246.06 | <a href="#">VW3E3067R750</a>  | 4.700  | 10.36 |
| <b>IO cables</b>   |   |        |        |                               |        |       |
| <b>Digital input/output cables</b><br>(If no ARMIO Board is mounted) | <ul style="list-style-type: none"> <li>■ Shielded hybrid cable from connector X1202 on STS40, STS60, STS80 robots to digital inputs/outputs</li> <li>■ M16 Serie 423 connector (IP67) / free wires</li> </ul>   | 5      | 16.40  | <a href="#">VW3E4002R050</a>  | 0.539  | 1.18  |
|  |   | 10     | 32.81  | <a href="#">VW3E4002R100</a>  | 1.029  | 2.26  |
|  |   | 15     | 49.21  | <a href="#">VW3E4002R150</a>  | 1.519  | 3.34  |
|  |   | 20     | 65.62  | <a href="#">VW3E4002R200</a>  | 2.009  | 4.42  |
|  |   | 25     | 82.02  | <a href="#">VW3E4002R250</a>  | 2.499  | 5.51  |
|  |   | 30     | 98.43  | <a href="#">VW3E4002R300</a>  | 2.989  | 6.59  |
|  |   | 45     | 147.63 | <a href="#">VW3E4002R450</a>  | 4.600  | 10.14 |
|  |   | 60     | 196.85 | <a href="#">VW3E4002R600</a>  | 6.100  | 13.44 |
|  |   | 75     | 246.06 | <a href="#">VW3E4002R750</a>  | 7.450  | 16.42 |



FCE320●●●A100



VW3E3067R●●●



VW3E4002R●●●



| <b>F</b>        |    |                 |    |              |    |
|-----------------|----|-----------------|----|--------------|----|
| FCE319050A100   | 12 | LXMSTS80W4A4000 | 7  | VW3E1143R300 | 12 |
| FCE319100A100   | 12 | LXMSTS80W5A4000 | 7  | VW3E1143R450 | 12 |
| FCE319150A100   | 12 | LXMSTS80W200000 | 7  | VW3E1143R600 | 12 |
| FCE319200A100   | 12 | LXMSTS80W300000 | 7  | VW3E1143R750 | 12 |
| FCE319250A100   | 12 | LXMSTS80W400000 | 7  | VW3E1169R050 | 12 |
| FCE319300A100   | 12 | LXMSTS80W500000 | 7  | VW3E1169R100 | 12 |
| FCE319450A100   | 12 | LXMSTSYYYYC2000 | 11 | VW3E1169R150 | 12 |
| FCE319600A100   | 12 | LXMSTSYYYYL1000 | 11 | VW3E1169R200 | 12 |
| FCE319750A100   | 12 | LXMSTSYYYYM1000 | 11 | VW3E1169R250 | 12 |
| FCE320050A100   | 13 | LXMSTSYYYYM2000 | 11 | VW3E1169R300 | 12 |
| FCE320100A100   | 13 | LXMSTSYYYYT2000 | 11 | VW3E1169R450 | 12 |
| FCE320150A100   | 13 | LXMSTSYYYYT4000 | 11 | VW3E1169R600 | 12 |
| FCE320200A100   | 13 | LXMSTSYYYYY001  | 8  | VW3E1169R750 | 12 |
| FCE320250A100   | 13 | LXMSTSYYYYY002  | 8  | VW3E3067R050 | 13 |
| FCE320300A100   | 13 | LXMSTSYYYYY003  | 8  | VW3E3067R100 | 13 |
| FCE320450A100   | 13 | LXMSTSYYYYY004  | 8  | VW3E3067R150 | 13 |
| FCE320600A100   | 13 | LXMSTSYYYYY005  | 8  | VW3E3067R200 | 13 |
| FCE320750A100   | 13 | LXMSTSYYYYY006  | 8  | VW3E3067R250 | 13 |
|                 |    | LXMSTSYYYYY007  | 8  | VW3E3067R300 | 13 |
|                 |    | LXMSTSYYYYY008  | 8  | VW3E3067R450 | 13 |
|                 |    | LXMSTSYYYYY009  | 8  | VW3E3067R600 | 13 |
|                 |    | LXMSTSYYYYY010  | 8  | VW3E3067R750 | 13 |
|                 |    | LXMSTSYYYYY011  | 8  | VW3E4002R050 | 13 |
|                 |    | LXMSTSYYYYY012  | 8  | VW3E4002R100 | 13 |
|                 |    | LXMSTSYYYYY013  | 8  | VW3E4002R150 | 13 |
|                 |    | LXMSTSYYYYY014  | 8  | VW3E4002R200 | 13 |
|                 |    | LXMSTSYYYYY015  | 9  | VW3E4002R250 | 13 |
|                 |    | LXMSTSYYYYY016  | 9  | VW3E4002R300 | 13 |
|                 |    | LXMSTSYYYYY017  | 9  | VW3E4002R450 | 13 |
|                 |    | LXMSTSYYYYY018  | 9  | VW3E4002R600 | 13 |
|                 |    | LXMSTSYYYYY019  | 9  | VW3E4002R750 | 13 |
|                 |    | LXMSTSYYYYY020  | 9  |              |    |
|                 |    | LXMSTSYYYYY021  | 9  |              |    |
|                 |    | LXMSTSYYYYY022  | 9  |              |    |
|                 |    | LXMSTSYYYYY023  | 9  |              |    |
|                 |    | LXMSTSYYYYY024  | 9  |              |    |
|                 |    | LXMSTSYYYYY025  | 9  |              |    |
|                 |    | LXMSTSYYYYY026  | 9  |              |    |
|                 |    | LXMSTSYYYYY027  | 9  |              |    |
|                 |    | LXMSTSYYYYY028  | 9  |              |    |
|                 |    | LXMSTSYYYYY029  | 9  |              |    |
|                 |    | LXMSTSYYYYY030  | 9  |              |    |
|                 |    | LXMSTSYYYYY031  | 9  |              |    |
|                 |    | LXMSTSYYYYY032  | 10 |              |    |
|                 |    | LXMSTSYYYYY033  | 10 |              |    |
|                 |    | LXMSTSYYYYY034  | 10 |              |    |
|                 |    | LXMSTSYYYYY035  | 10 |              |    |
|                 |    | LXMSTSYYYYY036  | 10 |              |    |
|                 |    | LXMSTSYYYYY037  | 10 |              |    |
|                 |    | LXMSTSYYYYY038  | 10 |              |    |
|                 |    | LXMSTSYYYYY039  | 10 |              |    |
|                 |    | LXMSTSYYYYY100  | 11 |              |    |
|                 |    | LXMSTSYYYYY101  | 11 |              |    |
|                 |    | LXMSTSYYYYY400  | 10 |              |    |
|                 |    | LXMSTSYYYYY600  | 10 |              |    |
|                 |    | LXMSTSYYYYY800  | 11 |              |    |
| <b>L</b>        |    | <b>V</b>        |    |              |    |
| LXMSTS40F2A2000 | 6  | VW3E1143R050    | 12 |              |    |
| LXMSTS40F3A2000 | 6  | VW3E1143R100    | 12 |              |    |
| LXMSTS40F4A4000 | 6  | VW3E1143R150    | 12 |              |    |
| LXMSTS40F5A4000 | 6  | VW3E1143R200    | 12 |              |    |
| LXMSTS40F200000 | 6  | VW3E1143R250    | 12 |              |    |
| LXMSTS40F300000 | 6  |                 |    |              |    |
| LXMSTS40F400000 | 6  |                 |    |              |    |
| LXMSTS40F500000 | 6  |                 |    |              |    |
| LXMSTS40W2A2000 | 6  |                 |    |              |    |
| LXMSTS40W3A2000 | 6  |                 |    |              |    |
| LXMSTS40W4A4000 | 6  |                 |    |              |    |
| LXMSTS40W5A4000 | 6  |                 |    |              |    |
| LXMSTS40W200000 | 6  |                 |    |              |    |
| LXMSTS40W300000 | 6  |                 |    |              |    |
| LXMSTS40W400000 | 6  |                 |    |              |    |
| LXMSTS40W500000 | 6  |                 |    |              |    |
| LXMSTS60F2A2000 | 6  |                 |    |              |    |
| LXMSTS60F3A2000 | 6  |                 |    |              |    |
| LXMSTS60F4A4000 | 6  |                 |    |              |    |
| LXMSTS60F5A4000 | 6  |                 |    |              |    |
| LXMSTS60F200000 | 6  |                 |    |              |    |
| LXMSTS60F300000 | 6  |                 |    |              |    |
| LXMSTS60F400000 | 6  |                 |    |              |    |
| LXMSTS60F500000 | 6  |                 |    |              |    |
| LXMSTS60W2A2000 | 6  |                 |    |              |    |
| LXMSTS60W3A2000 | 6  |                 |    |              |    |
| LXMSTS60W4A4000 | 6  |                 |    |              |    |
| LXMSTS60W5A4000 | 6  |                 |    |              |    |
| LXMSTS60W200000 | 6  |                 |    |              |    |
| LXMSTS60W300000 | 6  |                 |    |              |    |
| LXMSTS60W400000 | 6  |                 |    |              |    |
| LXMSTS60W500000 | 6  |                 |    |              |    |
| LXMSTS80F2A2000 | 7  |                 |    |              |    |
| LXMSTS80F3A2000 | 7  |                 |    |              |    |
| LXMSTS80F4A4000 | 7  |                 |    |              |    |
| LXMSTS80F5A4000 | 7  |                 |    |              |    |
| LXMSTS80F200000 | 7  |                 |    |              |    |
| LXMSTS80F300000 | 7  |                 |    |              |    |
| LXMSTS80F400000 | 7  |                 |    |              |    |
| LXMSTS80F500000 | 7  |                 |    |              |    |
| LXMSTS80W2A2000 | 7  |                 |    |              |    |
| LXMSTS80W3A2000 | 7  |                 |    |              |    |

Life Is On



Learn more about our products at  
[www.schneider-electric.com](http://www.schneider-electric.com)

The information provided in this documentation contains general descriptions and/or technical characteristics of the performance of the products contained herein. This documentation is not intended as a substitute for and is not to be used for determining suitability or reliability of these products for specific user applications. It is the duty of any such user or integrator to perform the appropriate and complete risk analysis, evaluation and testing of the products with respect to the relevant specific application or use thereof. Neither Schneider Electric nor any of its affiliates or subsidiaries shall be responsible or liable for misuse of the information contained herein.

Design: Schneider Electric  
Photos: Schneider Electric

**Schneider Electric Industries SAS**

Head Office  
35, rue Joseph Monier - CS 30323  
F-92500 Rueil-Malmaison Cedex  
France

DIA3ED2180101EN  
September 2020 - V3.0