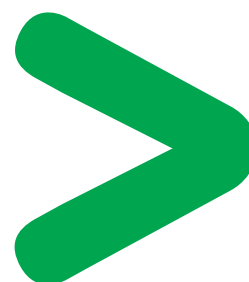


Prefabricated Busbar trunking systems

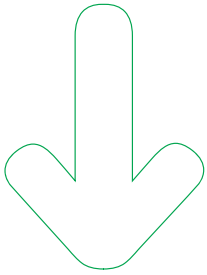
Canalis[®]

In cruise ships

Application datasheet



Your needs



Save time and money...

The customer's main expectations are:

- > compliance with installation deadlines,
- > quick, easy upgrading,
- > simplified maintenance.



Supplying decks with electricity

Supply the deck switchboards with:

- > Power.
- > The HVAC network heating/ventilation/air conditioning...).
- > The secured network.
- > VDI weak currents, etc.



Supplying cabins

Supply the electrical enclosures in cabins with:

- > Power sockets.
- > Lighting.
- > Heating, air conditioning, etc.
- > VDI (telephone, internet network, video).

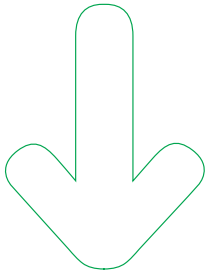


Lighting corridors and common parts

- > Create background lighting in restaurants, bars, discotheques, entertainment halls.
- > Create lighting scenarios according to the time and use of rooms.
- > Conventional lighting in boutiques and shops duty free, hairdresser's, sauna, etc.).
- > Emergency lighting.



Our Solutions



- > **Safe:** a prefabricated and factory-tested system: a manufacturer's guarantee avoiding all installation defects.
- > **Competitive:** a solution that is competitive as from initial installation.
- > **Economic:** a prefabricated system cutting installation times by two. Canalis reduces worksite contingencies and thus complies with delivery times. Its compact size ensures space savings with respect to cables.
- > **Reliable:** reliable marine certified products (BV, GL, DNV, ABS).

The advantages of a range based on

50 years
of experience

Supplying decks with electricity by **Canalis KS** risers to serve all decks on the ship.

- > **Ease of installation:**
 - reduced weight and dimensions.
- > **Safety:**
 - halogen-free product,
 - reduced calorific value,
 - a fire barrier solution tested between all decks.
- > **Flexibility:**
 - the presence of a large number of hatches on all decks allows addition of additional loads with power on.
- > **Continuity of supply:**
 - Canalis enhances installation legibility and maintainability,
 - all electrical contacts are of the elastic type and require no maintenance.



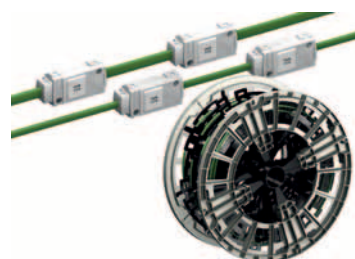
Supplying the electrical enclosures in cabins by **Canalis KN** installed in the suspended ceilings.

- > **Ease of installation:**
 - prefabricated components facilitating installation in small spaces.
- > **Safety:**
 - halogen-free product,
 - reduced calorific value,
 - reduction of the risk of exposure to electromagnetic fields.
- > **Flexibility:**
 - ease of cabin adaptation according to varying needs of customers (nationality, VIP customers, etc.)
- > **Continuity of supply:**
 - Canalis enhances installation legibility and maintainability,
 - all electrical contacts are of the elastic type and require no maintenance.



Production of lighting circuits with **Canalis KDP** installed in the suspended ceilings.

- > **Ease of installation:**
 - prefabricated components facilitating installation in small spaces,
 - different intervals between tap-off outlets available (1.20 m to 3 m).
- > **Safety:**
 - halogen-free product.
- > **Flexibility:**
 - ease of upgrading of lighting circuits in event of change in room use (change of customers, etc.).



A comprehensive offer

The ideal solution for achieving your electrical installations



Canalis is part of a comprehensive offer of products that are perfectly coordinated to meet all medium and low voltage electrical distribution requirements. All of these products have been designed to work together: electrical, mechanical and communication compatibility.

The electrical installation is thus both optimised and has improved performance:

- > better service continuity,
- > increased personnel and equipment safety,
- > guaranteed upgradeability,
- > efficient monitoring and control.

You therefore have all the advantages at hand in terms of know-how and creativity for achieving optimised, safe, upgradeable and compliant installations.

The Schneider Electric products

Prefabricated busbar trunking systems

Canalis KS



Canalis KS: rigid busbar trunking

Nominal current 100 to 1000 A.

4 live conductors.

Tap-off points every metre. Dimensions of the components available at floor pitch.

Tap-off connectors and units: 25 to 400 A.

Degree of protection IP55.

Canalis KN



Canalis KN: rigid busbar trunking

Nominal current 40 to 160 A.

4 live conductors.

Tap-off points every 0.5 to 3 metres.

Tap-off connectors and units: 16 to 63 A.

Degree of protection IP55.

Canalis KDP



Canalis KDP: flexible busbar trunking

Nominal current 20 A.

Tap-off points every 1.2 or 3 metres.

Degree of protection IP55.

Packaged in a reel.

Electrical switchboard



Okken switchboard: main switchboard

Rated current: 7300 A.

Rated conditional short-circuit current (isc) up to 150 kA.

Internal arcing protection according to IEC 61641 ed.2: 100 kA 0.4 s up to 150 kA

Standards: IEC 60439-1, IEC 60529, IEC 61439-2

Application example

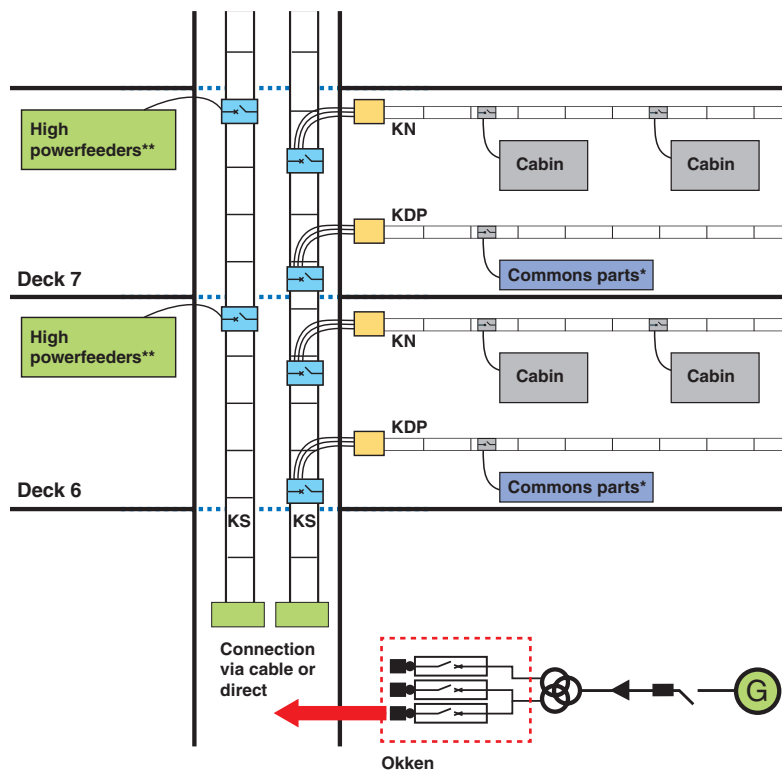
The standard cruise ship

Specific features

- > 80 000 to 100 000 tons for approximately 2000 passengers.
- > 6 decks equipped with cabins.
- > 3 decks equipped with shops.

Equipment installed

- > 300 metres of Canalis KS risers equipped with fire barriers.
- > 3 km of Canalis KN in the suspended ceilings of corridors for cabin supply.
- > 50 km of Canalis KDP for lighting of corridors and common parts.



* Common parts: corridors, entertainment halls, restaurants, etc.
** High power feeders: air conditioning, laundry, etc.

The Canalis advantages

- Thanks to its modularity, **Canalis adapts to the ship's infrastructure**. It ensures with ease production of optimum lighting exactly at the point required.
- **Maintenance is simplified**: faulty devices can be replaced with power on and at any time by the personnel in charge of ship servicing. Contacts are life-guaranteed thanks to copper-silvered technology.
- **Mounting times are considerably reduced** thanks to the flexibility of the KDP and its light weight (40% lighter than copper).
- **Sustainable development and protection**: KN – KS are guaranteed halogen-free. IP55 for KN and KS. **Running time greater than 10 years** for all busbar trunkings. Riser KS is equipped with fire barrier components.

Other applications

- > Livestock production building
- > Logistic centres
- > Greenhouses
- > Garages
- > Car parks
- > Hypermarkets
- > Industrial workshops
- > Flooring tile plants
- > Electronic plants
- > Car factories
- > Trade fairs and exhibitions
- > Solution iBusway for Data Center
- > Solution iBusway for Lighting management

Make the most of your energy™

www.schneider-electric.com

Schneider Electric Industries SAS

35, rue Joseph Monier
CS 30323
F-92506 Rueil-Malmaison Cedex

RCS Nanterre 954 503 439
Capital social 896 313 776 €
www.schneider-electric.com

As standards, specifications and designs change from time to time, please ask for confirmation of the information given in this publication.



Printed on ecological paper

Publishing: Schneider Electric Industries SAS
Design - Layout: SEDOC