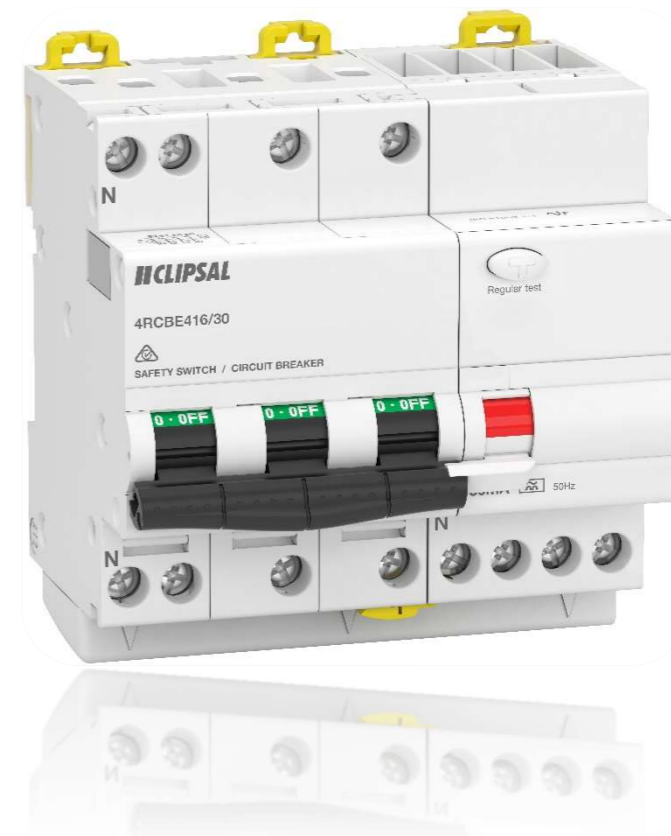


Assist

RCBO – Clipsal 3P+N



Life Is On

CLIPSAL
by Schneider Electric

Clipsal MAX4 Three Phase RCBO

Description

The Max4 3P+N RCBO's are a compact solution, only 5 modules wide, saving you space in your switchboard where RCD Protection is required.

This is ideal for Domestic and Residential installations as the Australian Standards AS/ NZS 3000: 2018, clause 2.6.3.2.2 outlines the requirement of having an RCD protecting every final sub-circuit including electrical hot water, stove tops, ovens and air cons.

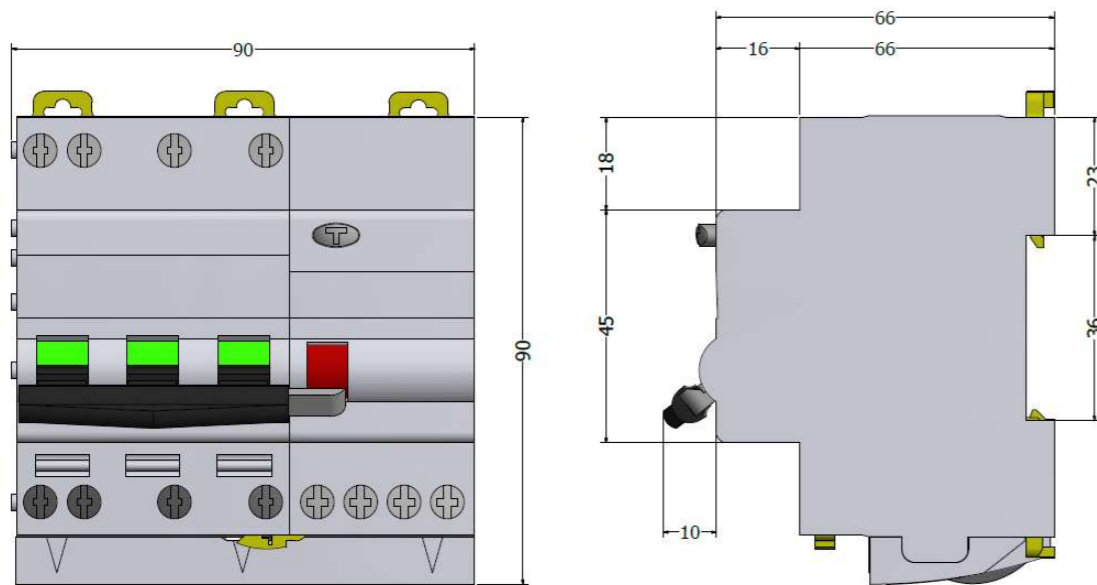
4 RCBE 4 16 / 30

Range Type Poles Rating (A) Sensitivity

Specification

Supply Voltage	415 V AC
Rating (Available in)	10A, 16A, 20A, 25A, 32A, 40A
Fault Current	6000A
Sensitivity	30mA
Poles	3P+N
Type	Type A
Pole Width	5 Modules (18mm x 5)
Curve Type	C - Curve
Top or Bottom Fed	Both
IP Rating	IP20
Mount	Din-Rail (Double Locking Clip)
Indicator	Positive Contact and Red Flag
Certification	Approval to AS/ NZS 61009.1:2015

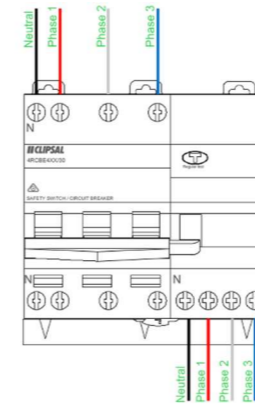
Dimensions



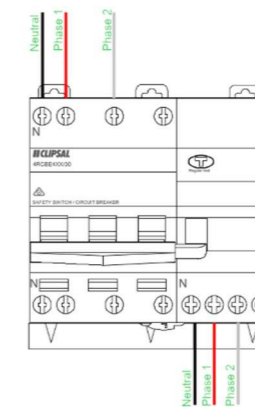
Key Product Terms

- RCD
- RCBO
- RCBE
- Residual Current Device
- Circuit Breaker
- Safety Switch
- Final Distribution

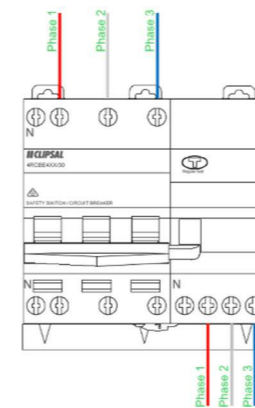
Wiring Diagrams



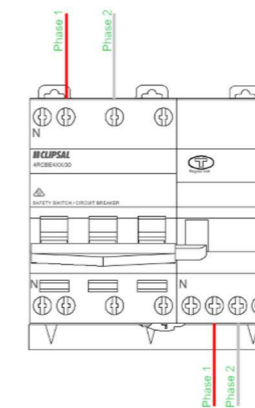
Standard Installation



2 Phase and Neutral



3 Phase without Neutral



2 Phase without Neutral

Note – In all above cases, product will be working properly at 415V network but not if you have only 240V between phase : the test button won't trip

Key Questions

1. Can the line be wired from the bottom?

You can wire the line and load from either top or bottom.

2. How many poles wide is this 3 phase RCBO?

It is 5 poles wide which is equivalent of 90mm

3. Which poles is the test circuit wired too?

There is a wiring diagram on the breaker which demonstrates the test circuit being wired between phase 1 and 2 (refer image on right).

4. If it is wired without a load neutral, can the line neutral still be terminated into the RCBO?

Yes, the line neutral can be terminated into the RCBO as the test circuit is between phase 1 and 2.

Catalogue Numbers

- 4RCBE410/30: 3P+N 10A RCBO
- 4RCBE416/30: 3P+N 16A RCBO
- 4RCBE420/30: 3P+N 20A RCBO
- 4RCBE425/30: 3P+N 25A RCBO
- 4RCBE432/30: 3P+N 32A RCBO
- 4RCBE440/30: 3P+N 40A RCBO

Key Customer Advantages

- Top and bottom line load compatible for easy installation
- Easy installation, reduced cabling errors
- Saves space on DIN rail, saves costs
- Complete range from 10A to 40A
- Padlockable
- Positive Contact indication
- IP20 rated terminals to prevent fingers touching screws
- Double locking clip to allow dismounting with busbar in place
- Visible red tripping flag
- 6kA fault level suits both residential and commercial applications

