

Prefabricated busbar trunking

Canalis[®] KBA/KBB

Lighting and low power distribution



Schneider
Electric

Canalis KBA & KBB

The ideal solution for cost effective and upgradable lighting

★ A ready-to-install lighting system

Canalis KBL lights combined with **Canalis KBA** busbar trunking provide a full and compatible range for lighting systems in small and medium-height buildings (garages, workshops, supermarkets).



★ Outstanding rigidity

Canalis KBB busbar trunking is very heavy duty and has centre-to-centre fixing distances of up to 5 meters, capable of supporting a large number of heavy light fittings (agricultural and industrial buildings, shopping centers, etc.)



★ For all types of buildings

The high IP55 protection index guarantees **Canalis** is splash-proof and dust resistant and enables it to be installed in all types of buildings.



> Canalis KBA

Installation

Quick and simple to assemble

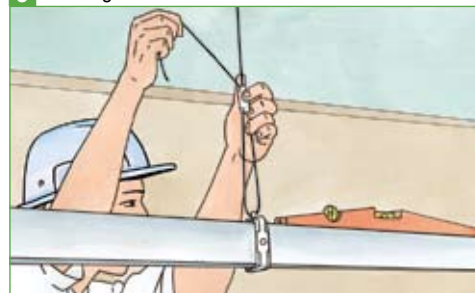
1 Preparing a set of busducts on the floor



2 Hooking up the busbar trunking

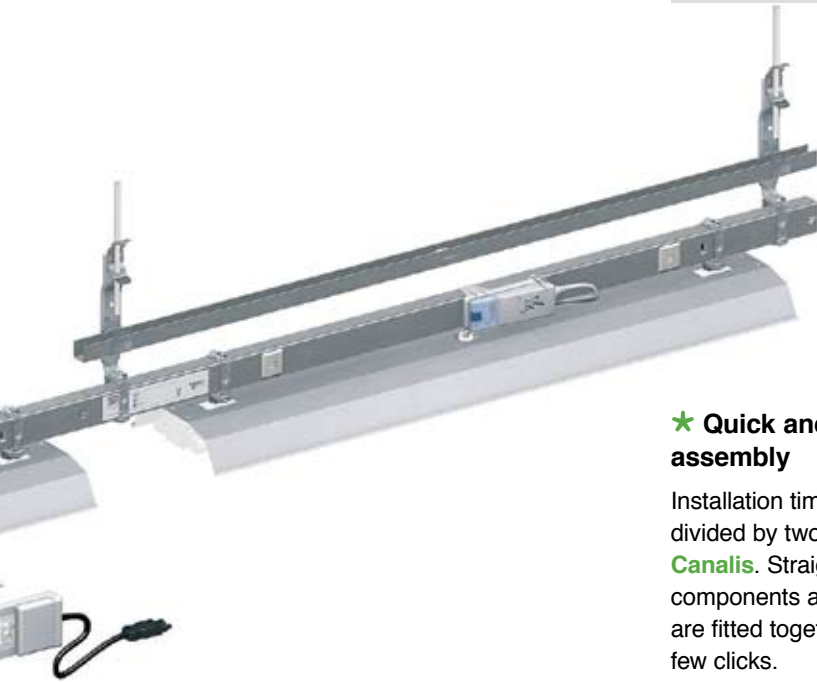


3 Leveling the line



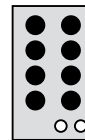
Technical characteristics

- **Length of busbar trunking components:** 2 or 3 meters
- **Rated service current:** 25 and 40 A
- **Rated tape off units current:** 10 and 16 A
- **Rated insulating voltage:** 690V
- **Number of circuits:** Canalis KBA, 1 circuit (2 or 4 conductors), Canalis KBB, 1 or 2 circuits (2 or 4 conductors)
- **Protection index:** IP 55
- **Surface treatment:** galvanized or white Ral 9010
- **Regulations:** compliant with European RoHS regulations



★ A large number of conductors for all requirements

Safety lighting, dimming, separate circuits for lighting and power sockets.



Canalis KBB:
2 circuits with 4
conductors
+ 1 communication circuit

★ Quick and easy assembly

Installation time is divided by two with **Canalis**. Straight components and lights are fitted together in a few clicks.



★ Outstanding upgradability

Any change or extension to the installation is particularly easy due to the very easy assembly and dismantling of **Canalis** components.



★ A major contribution to sustainable development

Since it is halogen-free, **Canalis** does not release any fumes or toxic gases in the event of fire.



4 Fitting the lights



5 Connecting the power supply unit



6 Turning on the power





A comprehensive offer

A new path for achieving your electrical installations

Canalis is part of a comprehensive offer of products that are perfectly coordinated to meet all medium and low voltage electrical distribution requirements. All of these products have been designed to work together: electrical, mechanical and communication compatibility.

The electrical installation is thus both optimised and has improved performance:

- better service continuity,
- increased personnel and equipment safety,
- guaranteed upgradeability,
- efficient monitoring and control.

You therefore have all the advantages at hand in terms of know-how and creativity for achieving optimised, safe, upgradeable and compliant installations.

Canalis busbar trunking

★ Lighting distribution

Canalis KBA/KBB (supports light fittings)

Rated service current: 25 and 40 A

Protection index: IP 55

Canalis KBX (lighting duct)

Rated service current: 25 A

Protection index: IP 20

Canalis KDP (flexible busbar trunking)

Rated service current: 20 A

Protection index: IP 55

Schneider Electric

Egypt & NE Africa Head Office

Land Plot no. 291 & 292, Second District,
Fifth Settlement, New Cairo, Egypt
Postal code 11835
Tel : +202 26 189 189
Fax: +202 26 189 263
<http://www.schneider-electric.com.eg>

Customer Care Center (CCC)

Hotline: 19775

email: customer.care@eg.schneider-electric.com

Design & production: Communication - SEE

Printing: Good Shepherd Group

As standard specifications and designs change from time to time, please ask for confirmation of the information given in this publication.