

## Product data sheet

### Characteristics

## EY56Pxxx

### Easy56™ Plugs

## Ordering Details

Catalogue Number	Description
EY56P310	Straight Plug, 3 Pin Flat, 250V 10A
EY56P315	Straight Plug, 3 Pin Flat, 250V 15A
EY56P320	Straight Plug, 3 Pin Round, 250V 20A
EY56P332	Straight Plug, 3 Pin Round, 250V 32A
EY56P410	Straight Plug, 4 Pin Round, 500V 10A
EY56P420	Straight Plug, 4 Pin Round, 500V 20A
EY56P432	Straight Plug, 4 Pin Round, 500V 32A
EY56P510	Straight Plug, 5 Pin Round, 500V 10A
EY56P520	Straight Plug, 5 Pin Round, 500V 20A
EY56P532	Straight Plug, 5 Pin Round, 500V 32A



## Overview

Easy56 by Schneider Electric provides a comprehensive range of IP66 industrial plugs.

This range provides a common unit for both cord extension sockets and wall socket applications.

All are fitted with a screwed ring for securing to socket outlets and to ensure IP66 rating.

All plugs have impact resistant, UV stabilised mouldings and the transparent centre body section is ideal for instant visual checking of connections. They are also provided with an internal cable clamp which grips two ways to prevent cable twisting.

Easy56 plugs are also compatible with Clipsal 56 series accessories which provide further flexibility. This also means if other amperages or voltages are required, it is recommended to refer to the 56 series range

## Features

- Locking rings to ensure IP66 rating
- Transparent body to view cable connections
- Transparent pin surround to view pins during plug insertion/removal.

## Specifications

Voltage Rating	250V, 500V a.c. options
Current Rating	10A, 15A, 20A, 32A
Dimensions	250V flat pin plugs: 67mm x 67 mm x 112.5 mm Round pin 10A & 20A plugs: 78 mm x 78 mm x 152 mm Round pin 32A plugs: 78 mm x 78 mm x 176 mm
Product weight	250V flat pin plugs: 107g Round pin 10A & 20A plugs: 298g Round pin 32A plugs: 420g
Ambient air temperature for operation	-25 to 75 degrees Celsius
IP Rating to IEC 60529	66
Standards	AS/NZS 3123 AS 60529 AS/NZS 3112

## Offer Sustainability

Sustainable offer status	Green Premium product
RoHS	Compliant
REACH	Compliant
Product environment profile	Available

## Applications

Commercial and Industrial environments both indoors and outdoors where protection from dust, water, UV and impact is important

# Plug Configurations

---

## 3 Pin



10A 250V



15A 250V



20A 250V

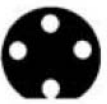


32A 250V

## 4 Pin



10A 500V

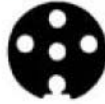


20A 500V

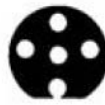


32A 500V

## 5 Pin



10A 500V



20A 500V

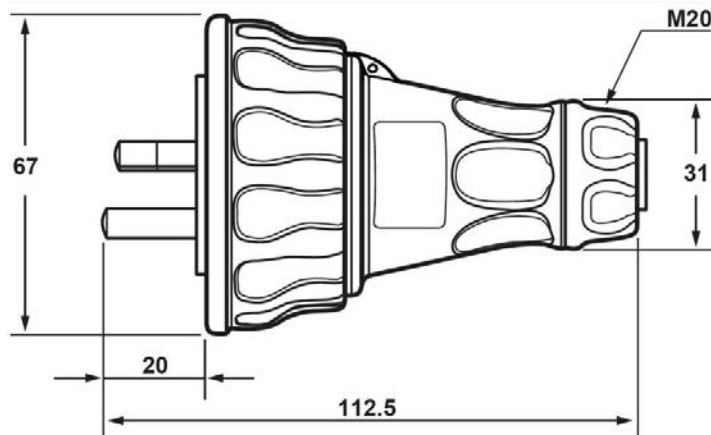


32A 500V

## Dimensions

EY56P310

EY56P315



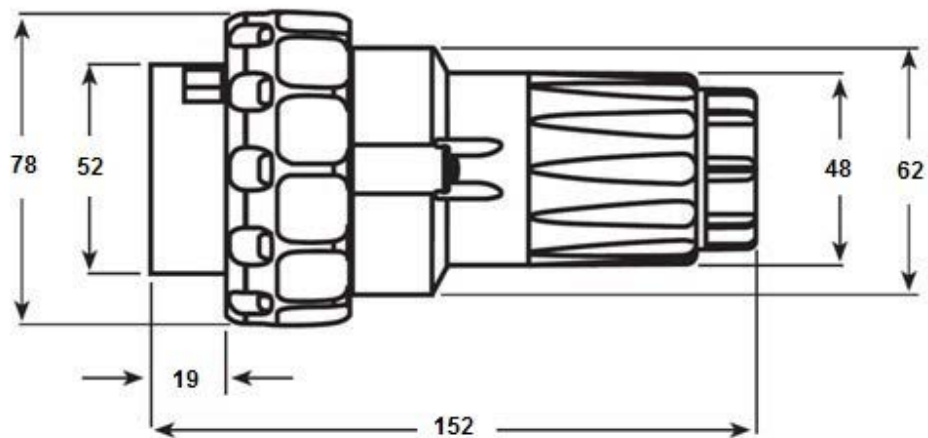
EY56P410

EY56P510

EY56P320

EY56P420

EY56P520



EY56P332

EY56P432

EY56P532

