

# Product data sheet

## Characteristics

# EY56Ex

## Easy56™ Enclosures

### Ordering Details

Catalogue Number	Description
EY56E2	2 Gang Enclosure, 2x25mm & 1x32mm Conduit Entry
EY56E3	3 Gang Enclosure, 2x25mm & 1x32mm Conduit Entry
EY56E4	4 Gang Enclosure, 2x25mm & 4x32mm Conduit Entry



### Overview

Easy56 multigang enclosures by Schneider Electric are available within modular 101mm widths that allow installers to mix and match switches, sockets, appliance inlets, etc on to one, two, three or four gang enclosures (bases).

Supply cabling and internal connections are also simplified within multigangs as they reduce the need for external conduits or shielded cabling.

The enclosures are also compatible with Clipsal 56 series accessories which provide further flexibility for Easy56. This also means if other enclosure sizes are required, it is recommended to refer to the Clipsal 56 series range.

### Features

#### Bridges & Dividers

EY56E2 and EY56E3 multigangs are supplied with a bridge divider (Catalogue No. 56B). This product assists with cable management and assists with supporting the IP66 rating. The EY56E4 is provided with both 56B bridges and 56DV dividers for cable management and to assist with segregation of circuits.

## Specifications

Dimensions	2 Gang: 63 mm x 101 mm x 198 mm 3 Gang: 63 mm x 101 mm x 294 mm 4 Gang: 63 mm x 198 mm x 198 mm
Product weight	2 Gang: 381g 3 Gang: 515g 4 Gang: 695g
Ambient air temperature for operation	-25 to 75 degrees Celsius
IP Rating to IEC 60529	66

## Offer Sustainability

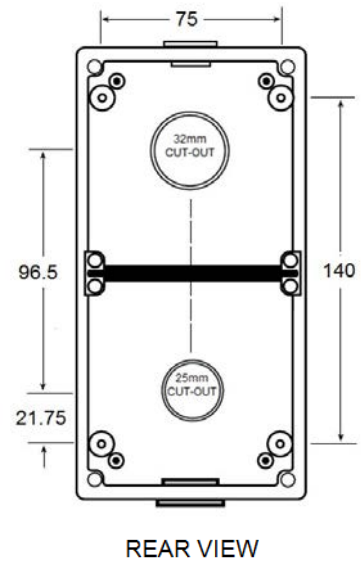
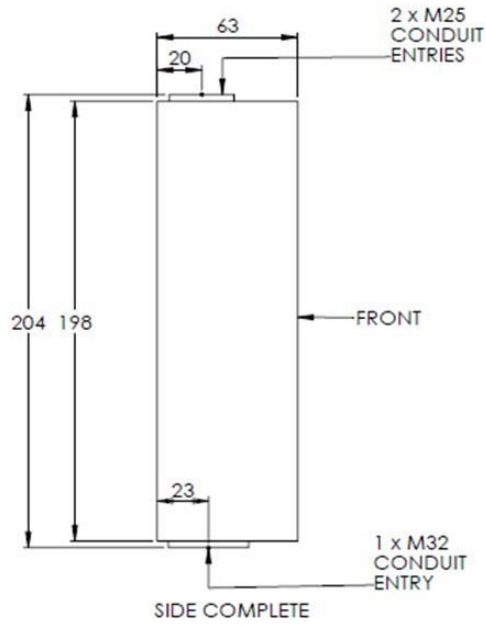
Sustainable offer status	Green Premium product
RoHS	Compliant
REACH	Compliant
Product environment profile	Available

## Applications

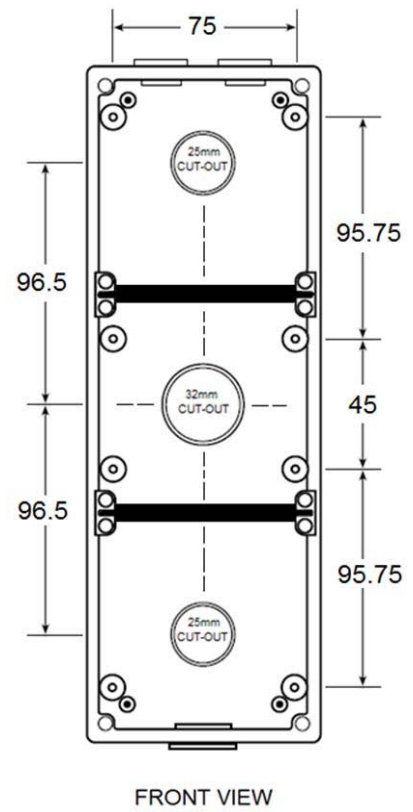
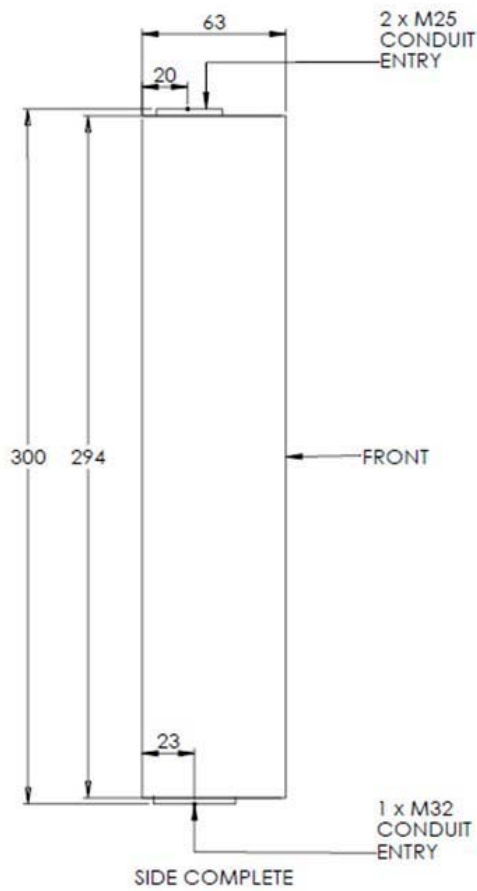
Commercial and Industrial environments both indoors and outdoors where protection from dust, water, UV and impact is important.

# Dimensions

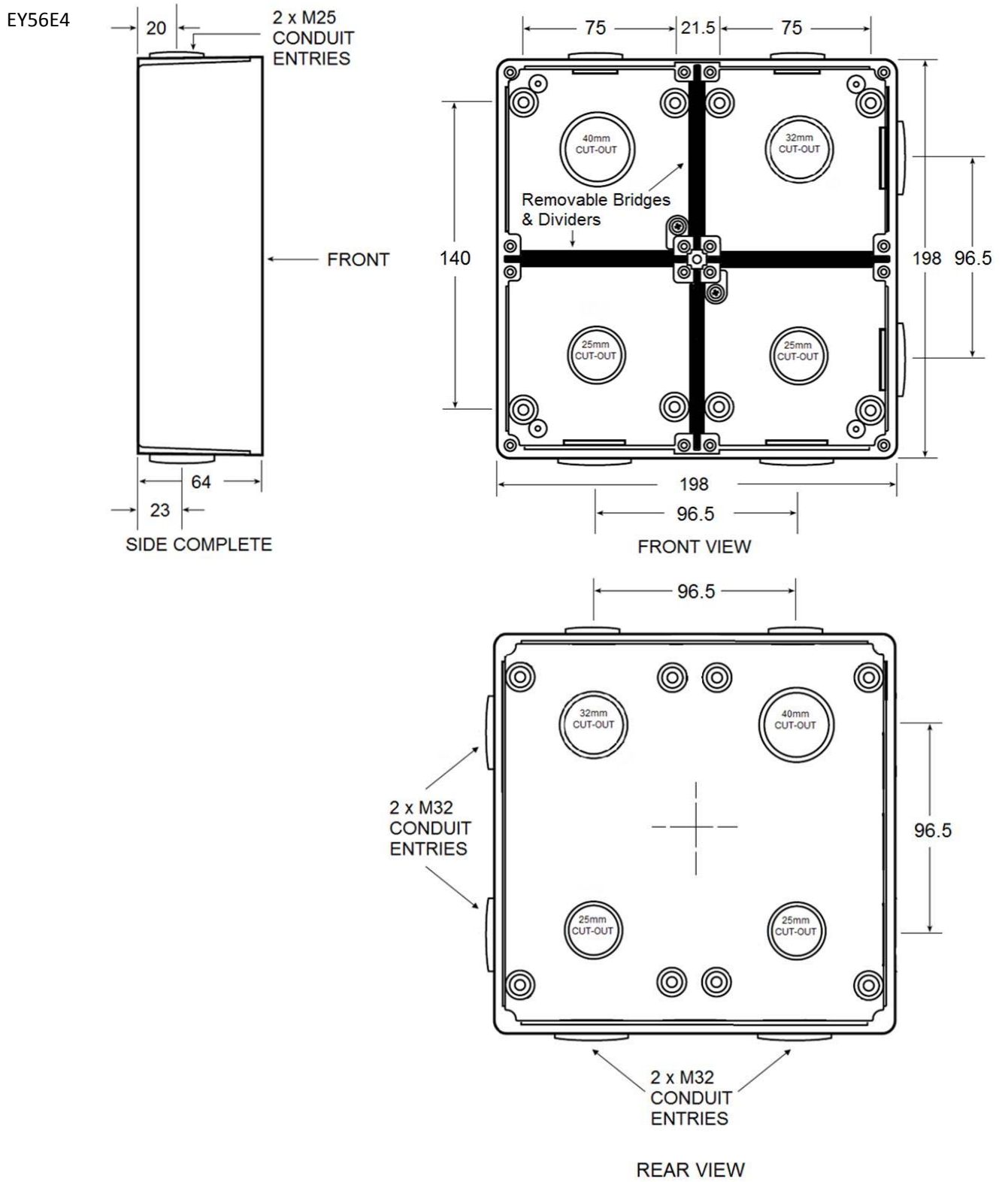
EY56E2



EY56E3



# Dimensions



## Dimensions

1 gang Enclosure

