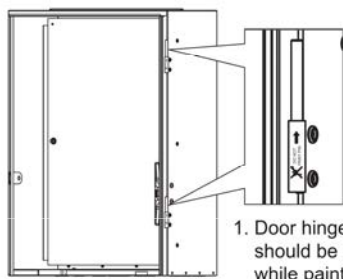


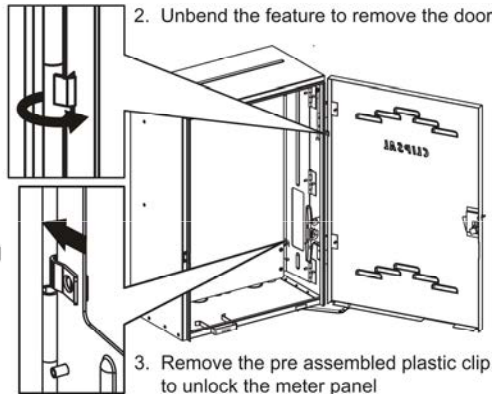


**Painting, Door Lock, Meter Panel Lock,
Cable Tie Off & Padlock**
230DRANS
Installation Instructions

Painting, Door Lock and Meter Panel Lock Instruction

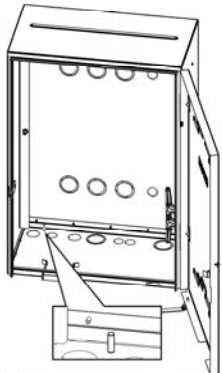


1. Door hinge pins should be masked while painting*

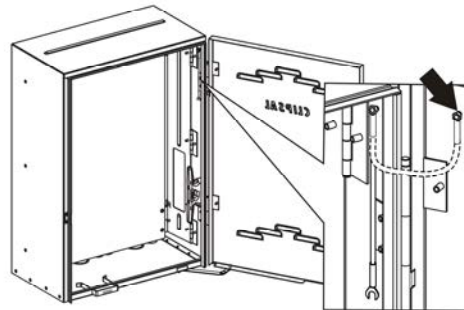


2. Unbend the feature to remove the door

3. Remove the pre assembled plastic clip to unlock the meter panel



4. All studs & meter panel hinge pins are to be masked while painting inside the box*#



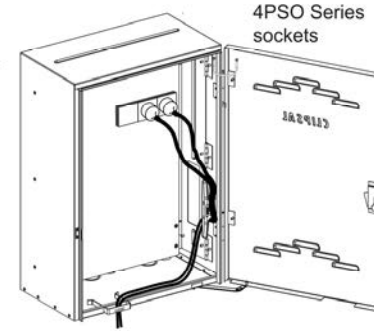
5. Terminate the earth wire assembly to the stud provided in the door after assembling the door*

* Earth Continuity Requirement

For better adhesion of paint prepare the meter box surface as per the local best practices and prime, if required.

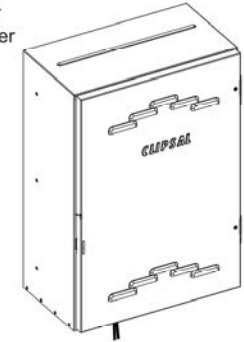
AS/NZS 3012 Compliant Tie Bar And Extension Lead Entry For Temporary Installation

1. Pass the leads through cable protection slide at the bottom opening and tie off before plugging into socket outlet



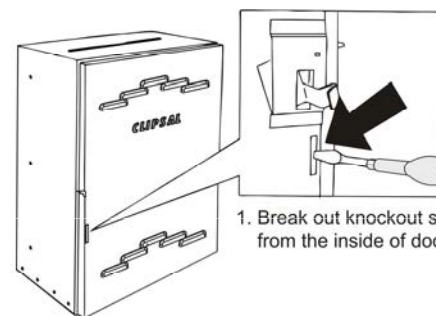
4PSO Series sockets

2. Ensure door is closed after installation.

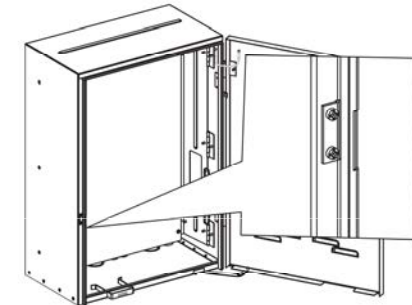


For permanent installation follow standard installation procedure as per SIR

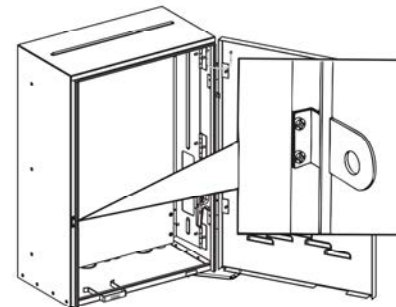
Padlock Instruction



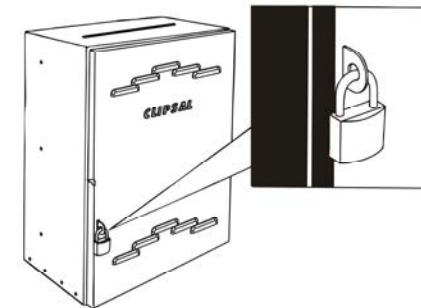
1. Break out knockout slot from the inside of door



2. Unmount the pre-assembled padlock



3. Reverse the padlock position & assemble it with the screws



Clipsal Australia Pty Ltd
A member of Schneider Electric

clipsal.com

Contact us: clipsal.com/feedback
National Customer Care Enquiries:
Tel 1300 2025 25 Fax 1300 3692 88

Clipsal Australia Pty Ltd reserves the right to change specifications, modify designs and discontinue items without incurring obligation and whilst every effort is made to ensure that descriptions, specifications and other information in this catalogue are correct, no warranty is given in respect thereof and the company shall not be liable for any error therein.
© Clipsal Australia Pty Ltd. The identified trademarks and copyrights are the property of Clipsal Australia Pty Ltd unless otherwise noted.