

DATASHEET

60TDM, 60TSRM3, 60TDSM

Saturn™ OneTouch Dimmer, Switch and Remote Mechanisms

Application

The Clipsal Saturn™ OneTouch™ range of products are integrally switched and modular featuring an intuitive touch sensitive control interface, cool blue halo LED indicator, and an electronically generated audible feedback tone.

Designed for universal load compatibility, the Saturn OneTouch dimmer utilises powerful and sophisticated microcontroller based universal dimming technology to provide full control of almost any type of load.

With a full 6AX rating, the Saturn OneTouch 3-wire switch mechanism provides unprecedented switching capability in a tiny switch mechanism whilst offering dynamic multiway control.

When coupled with Saturn OneTouch secondary units, up to three-way switching and dimming can be achieved whilst using traditional multi-way wiring standards.



Features

Saturn OneTouch Mechanisms

- Touch-sensitive control interface
- Visual and audible indication
- Multi-way control (up to 3 way) using standard wiring
- Multi-gang (up to 6 mechanisms in a standard plate)
- Easy wiring with on-board terminals
- Inbuilt over-current, over-temperature and short-circuit protection
- Power failure recovery options

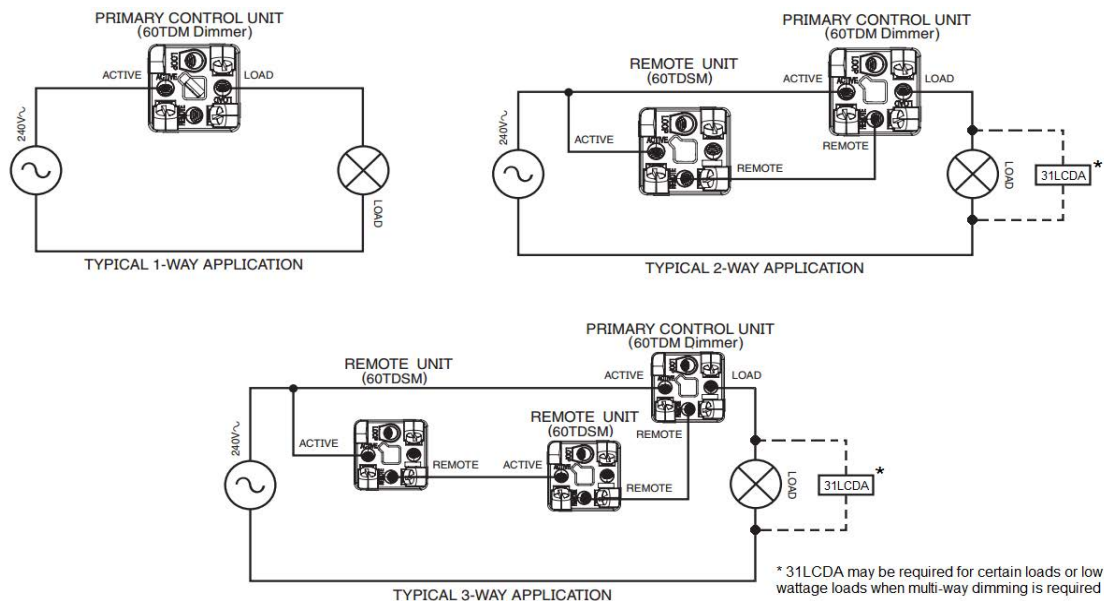
Saturn OneTouch Dimmer Mechanism

- Digital Universal dimming
- Soft-start /kick-start options depending on load type

Saturn OneTouch Remote Mechanism

- Provides multiway control for dimmer or switch mechanism

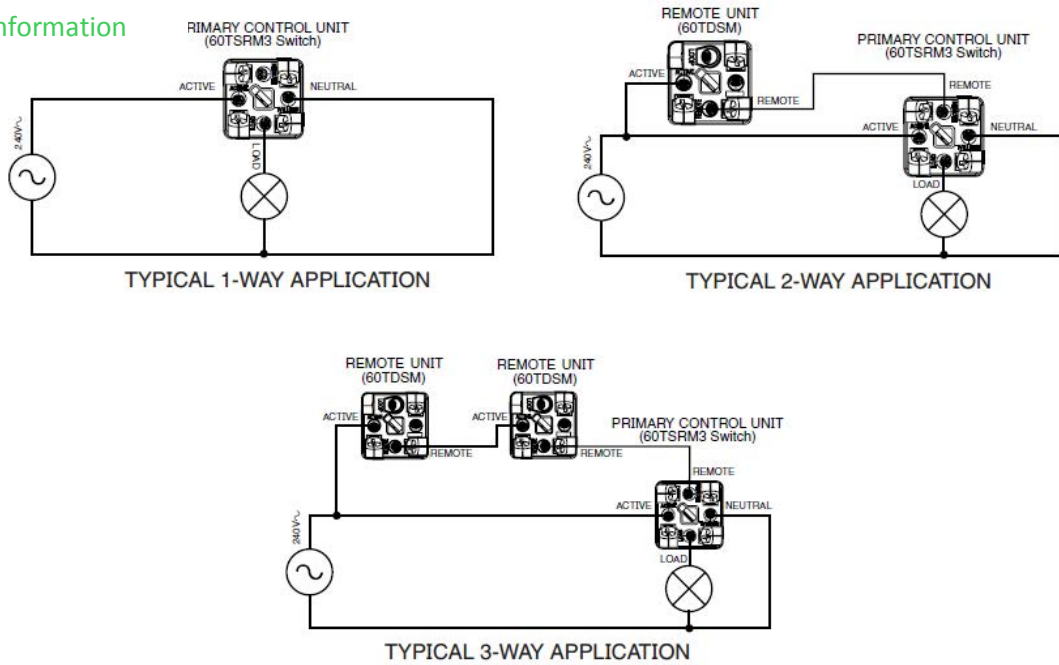
Dimmer Wiring Information



Life Is On

CLIPSAL™
by Schneider Electric

Switch Wiring Information



Load Compatibility

| Load Type | 60TSRM3 Switch | 60TDM Dimmer |
|---|----------------|----------------|
| Incandescent Loads | 6A | 350W |
| MV Halogen Loads | 6A | 350W |
| Electronic LV Lighting Transformers | 6A | 350W |
| Iron Core LV Lighting Transformers (EI and Toroidal Types) | 6A | 350W |
| "Dimmable" Linear Fluorescent Ballasts (Selected Makes/Models Only) | 6A | 200W |
| Non-dimmable Linear Fluorescent Ballasts | 6A | Not Compatible |
| "Dimmable" Compact Fluorescent Loads (Selected Makes/Models Only) | 6A | 200W |
| Non-dimmable Compact Fluorescent Loads (Selected Makes/Models Only) | 6A | Not Compatible |
| "Dimmable LED Lighting Drivers (Refer to Clipsal.com/load for recommended Clipsal LEDs) | 6A | 200W |
| Non-dimmable LED Lighting Drivers, Sensors and Contactors | 6A | Not Compatible |
| Small Motors (e.g. Ceiling and Exhaust Fans), | 1A (M6) | Not Compatible |

Multi-gang Derating

| Number of Primary Mechanisms per Grid Plate | Maximum Load per Primary Mechanism | |
|---|------------------------------------|--------------|
| | Nominal Voltage 220-240V~ | |
| | 60TSRM3 SWITCH | 60TDM DIMMER |
| 1 | 6A | 350W |
| 2 | 6A | 300W |
| 3 | 6A | 250W |
| 4 | 4A | 200W |
| 5 | 4A | 150W |
| 6 | 4A | 100W |

Schneider Electric (Australia) Pty Ltd

Contact us: clipsal.com/feedback

National Customer Care Enquiries:

Tel 1300 2025 25 Fax 1300 2025 56

New Zealand National Customer Care Enquiries:

Tel 0800 652 999 Fax 0800 101 152

Life Is On

CLIPSAL
by Schneider Electric

Schneider Electric (Australia) Pty Ltd reserves the right to change specifications, modify designs and discontinue items without incurring obligation and whilst every effort is made to ensure that descriptions, specifications and other information in this catalogue are correct, no warranty is given in respect thereof and the company shall not be liable for any error therein.

© 2015 Schneider Electric. All Rights Reserved.

Trademarks are owned by Schneider Electric Industries SAS or its affiliated companies.

Specifications

| Parameter | 60TSRM3 Switch | 60TDM Dimmer | 60TDSM |
|--|--|---|------------------|
| Nominal Operating Voltage | 220-240V a.c. | | |
| Nominal Operating Frequency | 50Hz | | |
| Operating Temperature | 25 °C | | |
| Operating Relative Humidity | 5% to 90% | | |
| Maximum Load | 6A | 350W | N/A |
| | Derate for multi-gang applications (see table below) | | N/A |
| Minimum Load | N/A | 10W (Use 31LCDA if required) | N/A |
| Dimming/Switching Technique | Relay | Leading Edge/Trailing Edge Phase Control (dynamically auto-selected) | N/A |
| Wiring Configuration | 3-wire | 2-wire | N/A |
| Voltage / Frequency Stability | YES | | N/A |
| Over Current / Over Temperature Protection | YES | | N/A |
| Short Circuit Protection | YES | | N/A |
| Kick-Start Feature | YES (Automatically selected if required) | | N/A |
| LED Indicator | Cool Blue, Halo (including "Nightlight" Illumination Level) | | |
| Audible Indicator | Electronic Tone Generation | | |
| Multi-way Control | YES up to 3-way control | | N/A |
| Multi-gang Grid Capacity | Maximum six (6) primary mechanisms per plate, combinations allowed, derating to be applied (see table) | | |
| Available Plate / Control Styles | Saturn Style, Standard & Architrave Plate Options | | |
| Plate Colours | Ocean Mist (OM), Espresso Black (EB) & Pure White (PW) | | |
| Safety Compliance | AS/NZS 3133 | AS/NZS 60669-2-1 | AS/NZS 60669-2-1 |
| EMC Emission Compliance | AS/NZS CISPR15 (Except when used in conjunction with electronic loads) | IEC60669-2-1 (Except when used in conjunction with electronic loads) | IEC60669-2-1 |
| <i>Indoor use only</i> | | | |

Life Is On 

Schneider Electric (Australia) Pty Ltd

Contact us: clipsal.com/feedback

National Customer Care Enquiries:

Tel 1300 2025 25 Fax 1300 2025 56

New Zealand National Customer Care Enquiries:

Tel 0800 652 999 Fax 0800 101 152

Life Is On

CLIPSAL
by Schneider Electric

Schneider Electric (Australia) Pty Ltd reserves the right to change specifications, modify designs and discontinue items without incurring obligation and whilst every effort is made to ensure that descriptions, specifications and other information in this catalogue are correct, no warranty is given in respect thereof and the company shall not be liable for any error therein.

© 2015 Schneider Electric. All Rights Reserved.

Trademarks are owned by Schneider Electric Industries SAS or its affiliated companies.

Ordering details

| Catalogue No. | Description |
|--------------------|---|
| 60TDM | Touch Dimmer Mechanism – 350W, Universal Dimmer |
| 60TSRM3 | Touch Switch Mechanism – 6AX, 3 wire (requires a neutral) |
| 60TDSM | Touch Dimmer/Switch remote Mechanism. To be used with either 60TDM or 60TSRM3. Supports up to 3-way control |
| | |
| Wall Plates | Available colours Espresso Black (EB), Ocean Mist (OM) & Pure White (PW) |
| 4061TC | 1 Gang Standard Grid and Cover to suit OneTouch Mechanism |
| 4062TC | 2 Gang Standard Grid and Cover to suit OneTouch Mechanisms |
| 4063TC | 3 Gang Standard Grid and Cover to suit OneTouch Mechanisms |
| 4064TC | 4 Gang Standard Grid and Cover to suit OneTouch Mechanisms |
| 4065TC | 5 Gang Standard Grid and Cover to suit OneTouch Mechanisms |
| 4066TC | 6 Gang Standard Grid and Cover to suit OneTouch Mechanisms |
| 4061ATC | 1 Gang Architrave Grid and Cover to suit OneTouch Mechanism |
| 4062ATC | 2 Gang Architrave Grid and Cover to suit OneTouch Mechanisms |
| 4062TFC | 2 Gang Standard Grid and Cover with... <ul style="list-style-type: none"> • 1 aperture to suit OneTouch Mechanism • 1 aperture to suit 4060CSFM Ceiling Fan Control Switch (Saturn electro-mechanical fan control rotary switch). |

Note: OneTouch mechanisms and plates are purchased separately.

Life Is On 

Schneider Electric (Australia) Pty Ltd

Contact us: clipsal.com/feedback

National Customer Care Enquiries:

Tel 1300 2025 25 Fax 1300 2025 56

New Zealand National Customer Care Enquiries:

Tel 0800 652 999 Fax 0800 101 152

Life Is On

CLIPSAL
by Schneider Electric

Schneider Electric (Australia) Pty Ltd reserves the right to change specifications, modify designs and discontinue items without incurring obligation and whilst every effort is made to ensure that descriptions, specifications and other information in this catalogue are correct, no warranty is given in respect thereof and the company shall not be liable for any error therein.

© 2015 Schneider Electric. All Rights Reserved.

Trademarks are owned by Schneider Electric Industries SAS or its affiliated companies.