

# Z4032HSUSBC Twin USB Charger

## Installation Guide

## Installation Instructions

REGISTERED DESIGN • REGISTERED PATENT

30USBCM: Australian Standard Patent Application No 2011334615

### DANGER

#### HAZARD OF ELECTRIC SHOCK OR ARC FLASH

- This product must only be installed by a licensed electrical contractor or other persons authorised by legislation to work on the fixed wiring of any electrical installation.
- The supply circuit must be turned off, locked and tagged before wiring the 30USBCM.
- The USB module must be connected to a supply circuit protected by an appropriate isolating device.
- Do not attempt to disassemble the module. There are no user serviceable parts inside.
- The 30USBCM is for indoor use only.

**Failure to follow these instructions will result in death, serious injury or equipment damage.**

### NOTICE

#### HAZARD OF EQUIPMENT DAMAGE

- The 30USB Charging Module is designed for charging batteries in rechargeable USB devices only. Any other application can damage the module or the attached equipment.
- Never insert anything except a USB cable plug in the module aperture. In the event of a short-circuit condition, the fuse inside the module will blow and the module will be rendered inoperative.
- The module must not be connected to any load in excess of the rated value of 6 Watts. A high quality USB cable must be used for best results. Avoid using any USB cable longer than 40cm.
- The module is not meant to provide power to operate electronic devices. Do not plug USB flash drives or disk drives into the USB Charging Module.
- Do not Megger Test a circuit that has one or more 30USBCM modules installed. The module contains electronics that will make Megger readings difficult to interpret. The Megger Test Warning Label (supplied with the charging module) must be placed near the isolating device that controls the supply circuit.

**Failure to follow these instructions can result in equipment damage.**

### General Installation Notes

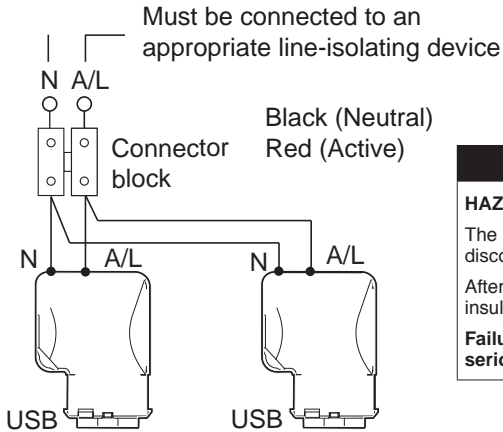
- A. The Z4032HSUSBC comes pre-assembled with the 30USBCM devices mounted into the plate.
- B. The fly leads from the 30USBCM are Active (Red) and Neutral (Black). During installation they must be wired to the correct line from the Mains supply.
- C. There are mechanical compatibility constraints on the mounting hardware for twin sockets with USB – the following products are not compatible:

Reference	Description
157/1P	Plastic Wallbox
160	Metal Wallbox
238	Mounting Block
257	Plastic Wallbox

### Installation of Z4032HSUSBC

1. Fit appropriate mounting hardware to the wall.
2. Twist the red wires of the 30USBCM devices together and terminate into one side of the supplied terminal block as per wiring diagram.
3. Twist the black wires of the 30USBCM devices together and terminate into the other side of the supplied terminal block as per wiring diagram.
4. Terminate the Active and Neutral from the supply circuit into the appropriate terminals on the terminal block (red for Active and black for Neutral) as per wiring diagram.
5. The assembly should look like the assembled product line drawing.
6. Wrap the terminal block with insulation tape prior to mounting to the wall.
7. Terminate the earth wire according to AS/NZS3000 Wiring Rules.
8. Fix Z4032HSUSBC to wall / mounting hardware.

## Assembled and wired Z4032HSUSBC diagram



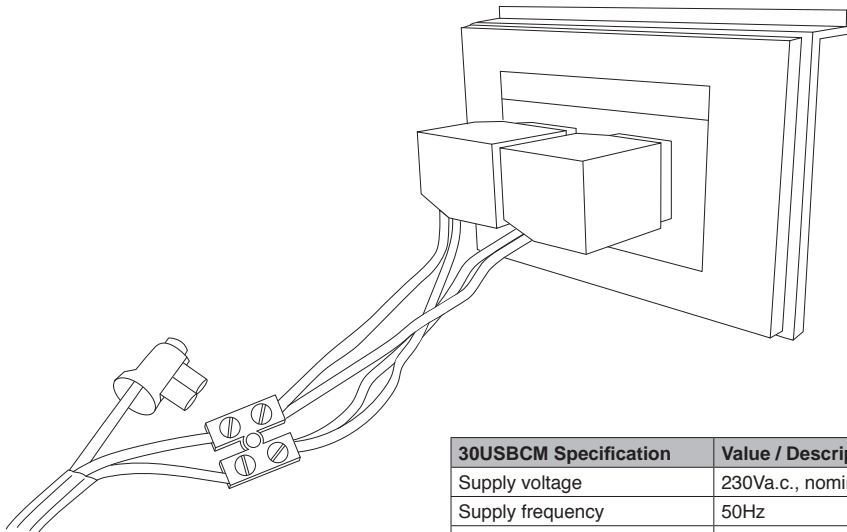
### **⚠ DANGER**

#### **HAZARD OF ELECTRIC SHOCK OR ARC FLASH**

The USB Charger must be connected to an easily accessible disconnect device.

After wiring, the terminal block must be wrapped with insulating tape.

**Failure to follow these instructions will result in death, serious injury or equipment damage.**



30USBCM Specification	Value / Description
Supply voltage	230Va.c., nominal
Supply frequency	50Hz
Output voltage	4.75-5.25Vd.c.
Output current	1.2A max. at 5.0Vd.c.
Standby power	Less than 0.07W

For further technical support contact the Clipsal National Customer Service Centre on 1300 2025 25.



Schneider Electric (Australia) Pty Ltd

Contact us: [clipsal.com/feedback](http://clipsal.com/feedback)

National Customer Care Enquiries:

**Tel 1300 2025 25 Fax 1300 2025 56**

New Zealand National Customer Care Enquiries:

**Tel 0800 652 999 Fax 0800 101 152**

**clipsal.com**

Schneider Electric (Australia) Pty Ltd reserves the right to change specifications, modify designs and discontinue items without incurring obligation and whilst every effort is made to ensure that descriptions, specifications and other information in this catalogue are correct, no warranty is given in respect thereof and the company shall not be liable for any error therein.

© 2015 Schneider Electric. All Rights Reserved.  
Trademarks are owned by Schneider Electric Industries SAS or its affiliated companies.

November 2015