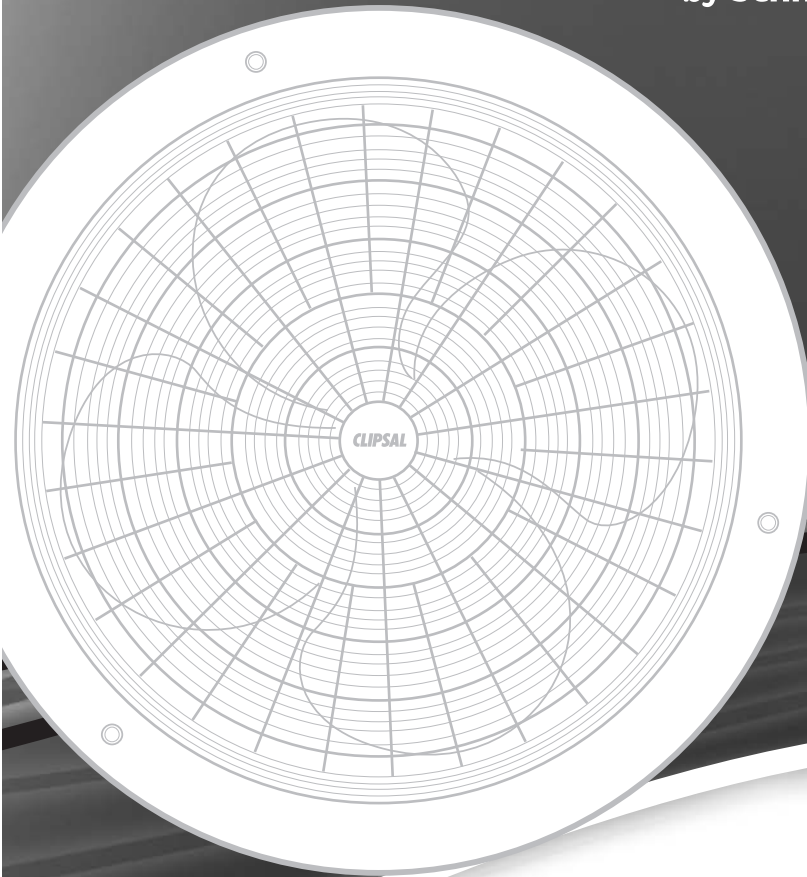


CLIPSAL[®]

by **Schneider** Electric



Ceiling Exhaust Fan

6230-0



Airflow[®]

Installation Instructions

Installation Instructions

6230-0

All fans should be installed by a suitably qualified person in accordance with AS/NZ3000.2000 and relevant building codes. Disconnect supply before making any electrical connections.

For best results, provision should be made for return air to enter the room on the opposite side. In some instances a return air grill/vent may be required.

Installation:

1. This card can be used as a template for making appropriate fan mounting hole size.
2. Cut hole of the required diameter, and in the desired position, in the ceiling.
3. Drill three 5mm holes in ceiling at mounting screw location. Fan may be used as template for hole locations.
4. Attach earthed plug base on joist as near as possible to mounting hole.
5. Remove grill by rotating anticlockwise.
6. Support fan while connecting 3-pin plug to plug base.
7. (a) Insert fan into opening and secure using three attachment plates and screws provided.
(b) Alternative attachment is achieved by using three wood screws through holes provided in fan mounting flange.

Caution

This product is fitted with a non-rewirable cord set, and if damaged, the motor and cord set must be discarded.

Warning

This appliance is not intended for use by children or infirm persons without supervision. Children should be supervised to ensure they do not play with the appliance.

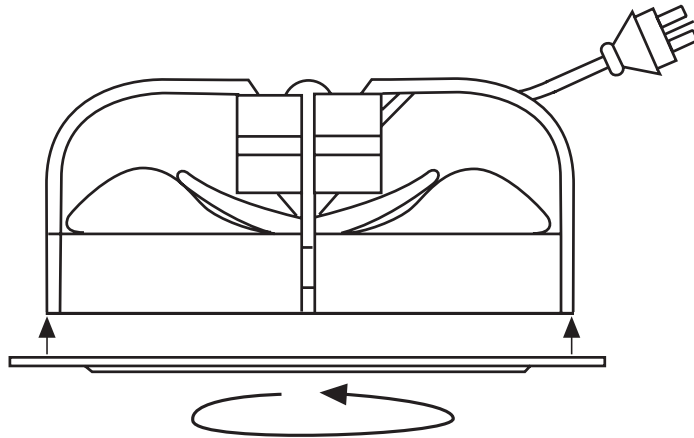
Cleaning:

1. Ensure fan is unplugged or switched off at mains.
2. Remove grill by turning anticlockwise.
3. Wash grill in hot soapy water and wipe fan blade. Fan blade may be removed by undoing screw in the centre of the fan blade.
4. Replace grill by turning clockwise.

Template

Centre Hole

Use this template to mark mounting hole for the fan. Use a nail or similar object to anchor the template at the centre hole, then insert a pencil through the template at the 330mm marking, and scribe a circle.



To attach grill, clip to base
and twist into position.

Reverse this procedure when
removing grill.

— ϕ —
330mm
diameter

Warranty

The benefits conferred by this warranty are in addition to all other rights and remedies in respect of the product, which the consumer has under the Trade Practices Act and similar State and Territory laws.

The original purchaser of this Clipsal Exhaust Fan is provided with the following warranty, subject to the following conditions. Clipsal by Schneider Electric warrants this product for a period of three (3) years from the date of purchase for all parts defective in workmanship or materials.

All defective parts will be replaced free of charge. The following exclusions do not preclude the purchaser from those statutory rights consumers have under the Trade Practices Act or similar State and Territory laws.

Replacement Warranty Conditions:

1. This warranty is only valid for appliances installed according to the manufacturer's instructions.
2. This appliance must not be modified or changed in any way.
3. All wiring must be carried out by a licensed electrician or similarly qualified person and must be connected to the voltage requirements as specified on the ratings label.
4. The manufacturer does not accept liability for any direct or consequential damage, loss or other expense arising from misuse or incorrect installation and operation of the appliance.
5. Warranty will only be given on appliances where proof of purchase date is provided, e.g. original invoice or copy.
6. As a record of your purchase, please fill out the following details and file this information with your purchase invoice.

Clipsal Exhaust Fan model number: _____

Serial number: _____

Purchased from: _____

Date of purchase: _____

Schneider Electric (Australia) Pty Ltd

Contact us: clipsal.com/feedback

National Customer Care Enquiries:

Tel 1300 2025 25

Fax 1300 2025 56

clipsal.com

Schneider Electric (Australia) Pty Ltd reserves the right to change specifications, modify designs and discontinue items without incurring obligation and whilst every effort is made to ensure that descriptions, specifications and other information in this catalogue are correct, no warranty is given in respect thereof and the company shall not be liable for any error therein.

© 2012 Schneider Electric. All Rights Reserved.
Trademarks are owned by Schneider Electric Industries SAS or its affiliated companies.